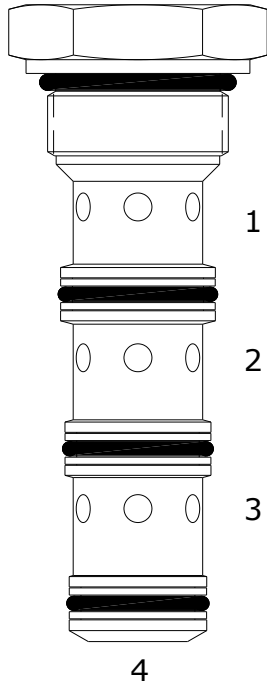


SN-PPC PRE & POST PRESSURE COMPENSATING SPOOL VALVE, BI-DIRECTIONAL, N.O. BI-PILOTED

DESCRIPTION

16 size, 1 5/16-12 thread, "Sixteen" series, Normally Open Bi-Pilot Metering Spool Valve

OPERATION

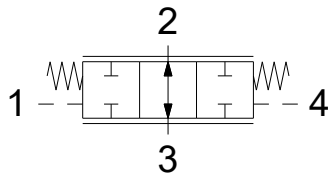
This valve has at least two primary uses.

As a simple N.O. logic element, it differentially senses work ports and moves closed when the net pressure differential (plus or minus) between port 1 and port 4 exceeds the spring differential pressure setting. "Bi-piloted" because the signals allow closure regardless of which side is the higher pressure. When used with a group of other valves a high flow tandem center configuration function can be created.

As a Pre & Post pressure compensating element, it meters the passage to maintain a differential pressure when flow is either travelling from port 2 to 3 or from port 3 to 2. If used in combination with an orifice or needle valve it creates a bi-directional pressure compensated flow control by metering to maintain the differential spring setting selected. If used in combination with bi-directional electro-proportional orifice valve (ETT-S2S as an example) this valve provides the pressure compensation in both directions over the range of operation. If used with a single orifice the valve serves as a Pre-compensating element in one direction and a Post-Compensating element in the other.

FEATURES

- Hardened parts for long life.
- Industry common cavity.

HYDRAULIC SYMBOL


If using Bi-directionally in lift/lower situations, porting direction (3) to (2) is preferred for Lift direction.

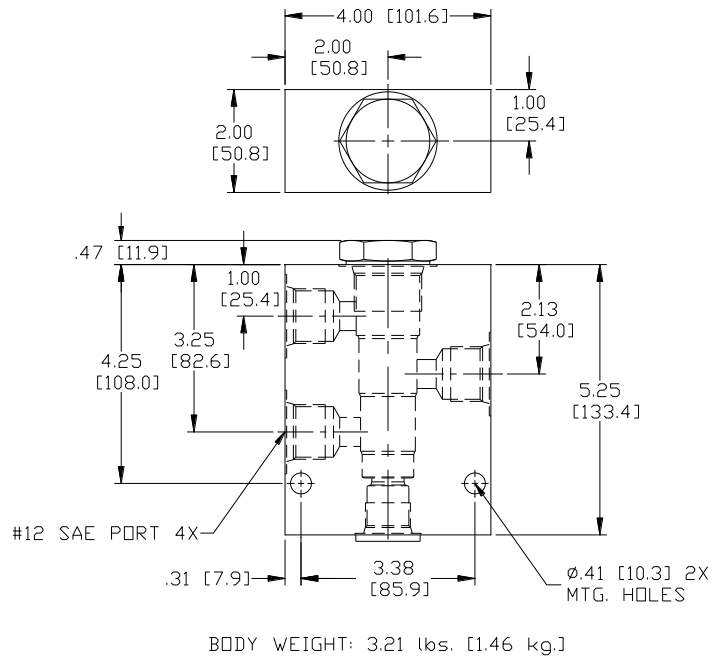
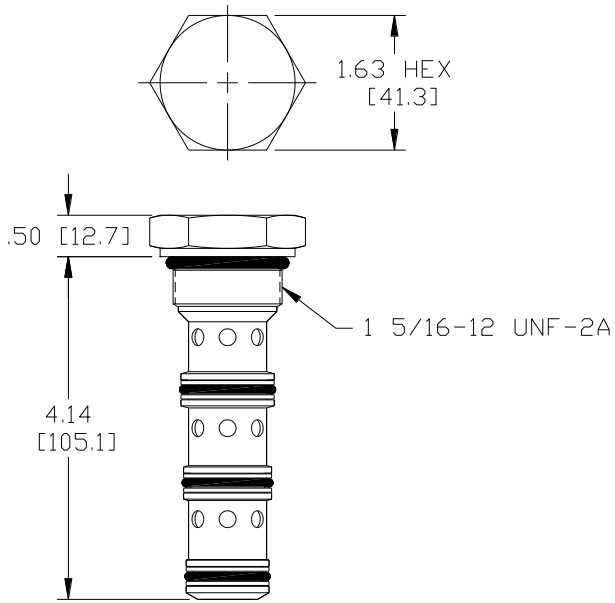
PERFORMANCE

Consult factory for performance data.

VALVE SPECIFICATIONS

Nominal Flow	25 GPM (95 LPM)
Rated Operating Pressure	3000 PSI (207 bar)
Typical Internal Leakage (150 SSU)	5 cu/in per/min (82 ml/min)
Viscosity Range	36 to 3000 SSU (3 to 647 cSt)
Filtration	ISO 18/16/13
Media Operating Temperature Range	-40° to 250° F (-40° to 120° C)
Weight	0.44 lbs. (0.20 kg)
Operating Fluid Media	General Purpose Hydraulic Fluid
Cartridge Torque Requirements	90 ft-lbs (122 Nm)
Cavity	SIXTEEN 4W
Cavity Form Tool (Finishing)	40500019
Seal Kit	21191413

DIMENSIONS



ORDERING INFORMATION

SN-PPC		-	-	-	-
OPTIONS					BODIES
Buna Standard	00			Blank	Without Body
Viton Standard	V0			S	#12 SAE Ports
					CRACK PRESSURE
				0040	40 PSI
				0080	80 PSI
				0120	120 PSI
				0160	160 PSI
				0220	220 PSI

WARNING: the specifications/application data shown in our catalogs and data sheets are intended only as a general guide for the product described (herein). Any specific application should not be undertaken without independent study, evaluation, and testing for suitability.