

SN064-RV-01 DIRECT ACTING RELIEF, RETURN LINE CONTROL VALVE

DESCRIPTION

30 GPM [115 LPM], "Press In" direct acting relief valve.

OPERATION

The SN064-RV-01 blocks flow from (1) to (2) until sufficient pressure is present at (1) to force the poppet to open and regulate pressure from (1) to (2) over a wide range of flows.

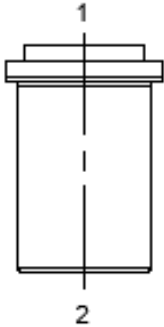
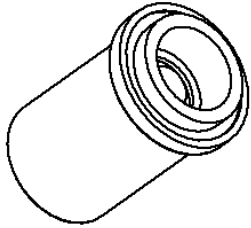
Press In relief provides a flat regulation curve for low pressure return line control applications.

POTENTIAL USES

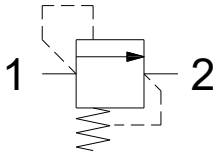
- Lubrication relief control in automatic transmission
- Oil cooler bypass relief valve
- Return line filter bypass relief
- Can be used to generate charge pressure
- Can be used to generate low control pressure
- Anti-Siphon to Tank

FEATURES

- Hardened parts for long life.
- Small package size for rated flow.
- Low installation cost.
- Flow passage is Inline.



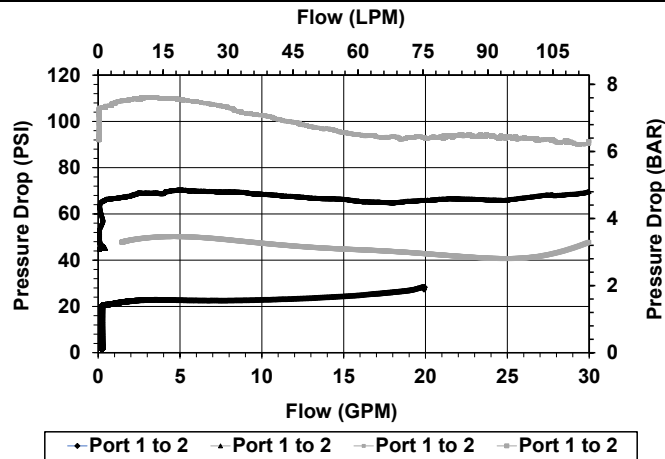
HYDRAULIC SYMBOL



Consult factory for other potential applications.

PERFORMANCE

Actual Test Data (Cartridge Only)



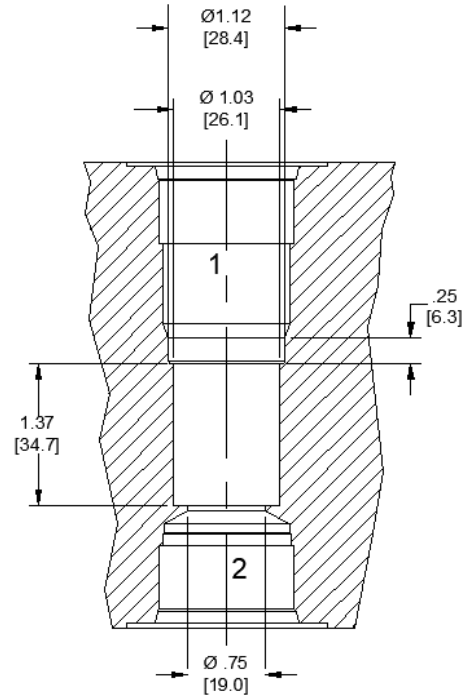
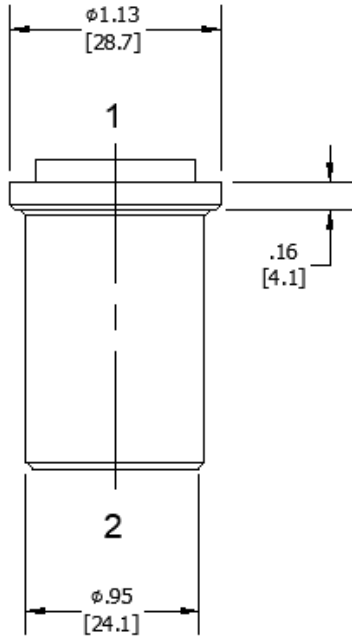
VALVE SPECIFICATIONS

Nominal Flow	30 GPM (115 LPM)
Rated Operating Pressure	500 PSI (35 bar)
Rated Port 1 Pressure	500 PSI (35 bar)
Rated Port 2 Pressure	300 PSI (21 bar)
Viscosity Range	36 to 3000 SSU (3 to 647 cSt)
Media Operating Temperature Range	-40° to 250° F (-40° to 120° C)
Weight	0.11 lbs. (0.05 kg)
Operating Fluid Media	General Purpose Hydraulic Fluid
Cartridge Installation Requirements	Press into Ø1.119/1.117 bore (See factory for Cavity)
Cavity	40200064
Cavity Form Tool (Finishing)	-----

11/2025

WARNING: the specifications/application data shown in our catalogs and data sheets are intended only as a general guide for the product described (herein). Any specific application should not be undertaken without independent study, evaluation, and testing for suitability.

DIMENSIONS



FOR SPECIFIC CAVITY DIMENSIONS
CONSULT FACTORY

ORDERING INFORMATION

SN064-RV-01 -

	CRACK PRESSURE SETTING
0020	20 PSI [1.5 BAR]
0050	50 PSI [3.5 BAR]
0065	65 PSI [4.5 BAR]
0100	100 PSI [7 BAR]

WARNING: the specifications/application data shown in our catalogs and data sheets are intended only as a general guide for the product described (herein). Any specific application should not be undertaken without independent study, evaluation, and testing for suitability.