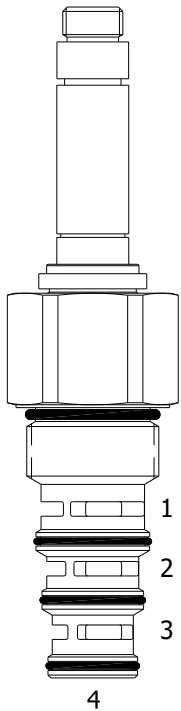


SN065-S4-01 DIRECT ACTING SPOOL, 4 WAY 2 POSITION, HIGH FLOW, CRISS CROSS

DESCRIPTION

"High Flow" Special Cavity, Direct acting, solenoid operated, 4 way 2 position, criss cross side flow spool valve.

OPERATION

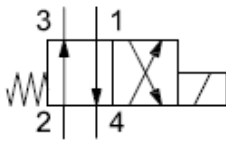
When de-energized the SN065-S4-01 allows flow from (1) to (4) and from (2) to (3). When energized, the valve allows flow from (2) to (1) and from (3) to (4).

The intent of this valve is to be shifted only at low flow but then provide low differential pressures at high flows while maintaining a short installation space. The Flow should be limited to <20% of rated flow when switching positions.

A common use for this valve would be to protect inertially sensitive equipment that might be damaged from sudden reversal. Used in concert with a proportional flow source, proportional directional control could be obtained through reducing the flow prior to changing this valve's directional state. Typical applications include fan reverse "blow-off" circuits or reel reversing "unplugging" circuits.

FEATURES

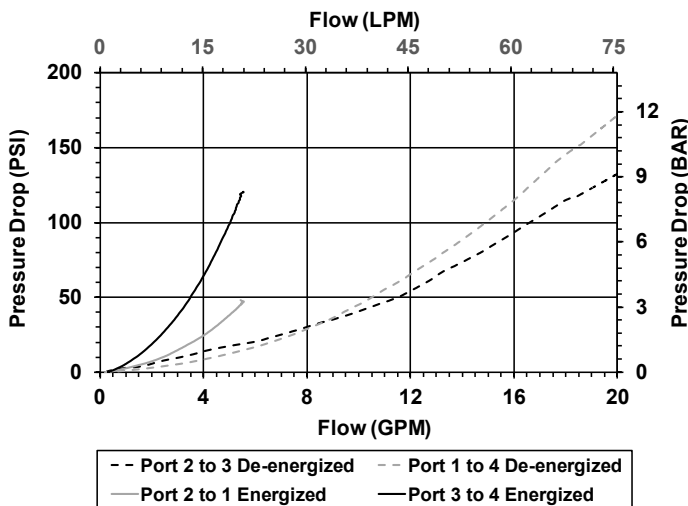
- Hardened parts for long life.
- Efficient wet-armature construction.
- Cartridges are voltage interchangeable.
- Shorter than standard cavity. (Undercuts recommended)
- Unitized, molded coil design.
- Continuous duty rated solenoid.
- Optional coil voltages and terminations.
- Optional "I" Coil: Weatherproof, Thermal Shock, Immersion Safe

HYDRAULIC SYMBOL


Suitable for Fan Reversing Applications

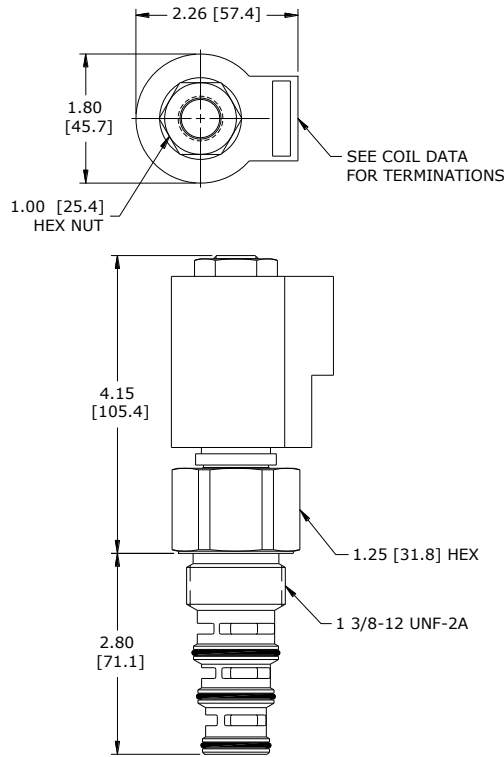
PERFORMANCE

Actual Test Data (Cartridge Only)


VALVE SPECIFICATIONS

Rated Flow	20 GPM (75 LPM) (De-energized) 6 GPM (22.7 LPM) (Energized) 4 GPM (15 LPM) Switching Limit
Rated Operating Pressure	4200 PSI (290 bar) Switching limited to 200 psid max.
Typical Internal Leakage (150 SSU)	15 cu in/min (246 ml/min) per path
Viscosity Range	36 to 3000 SSU (3 to 647 cSt)
Filtration	ISO 18/16/13
Media Operating Temperature Range	-40° to 250° F (-40° to 120° C)
Weight	1.55 lbs. (0.70 kg)
Operating Fluid Media	General Purpose Hydraulic Fluid
Cartridge Torque Requirements	115 ft-lbs (156 Nm)
Coil Nut Torque Requirements	5-7 ft-lbs (6.8-9.5 Nm)
Seal Kit	21170171

DIMENSIONS



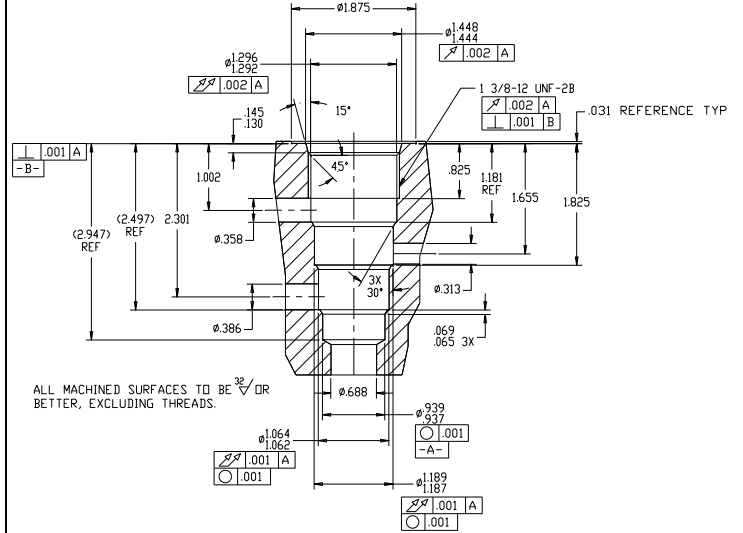
CONSULT FACTORY IF DEVIATING FROM THE FOLLOWING:

NOTE 1:
SITUATIONS WHERE FLOW PASSAGES INTO CAVITY ENTRANCE PASSAGE ARE GREATER THAN .005 INCHES OFF WHAT IS SHOWN ON CAVITY DRAWING IS NOT ALLOWED AS THE PRODUCT WILL SUFFER WITH BERNOULLI MALFUNCTION THAT CAN OCCUR AT APPROX. 65% OF PRODUCT RATING.

NOTE 2:
IN SITUATIONS WHERE THE FLOW PASSAGES OF PORT-1 OR PORT-3 LAND ON THE SAME SIDE CENTERLINE AS PORT 2, THE PRODUCT PERFORMANCE WILL SUFFER WITH BERNOULLI MALFUNCTIONS THAT CAN OCCUR AT APPROX.65% OF PRODUCT RATING.

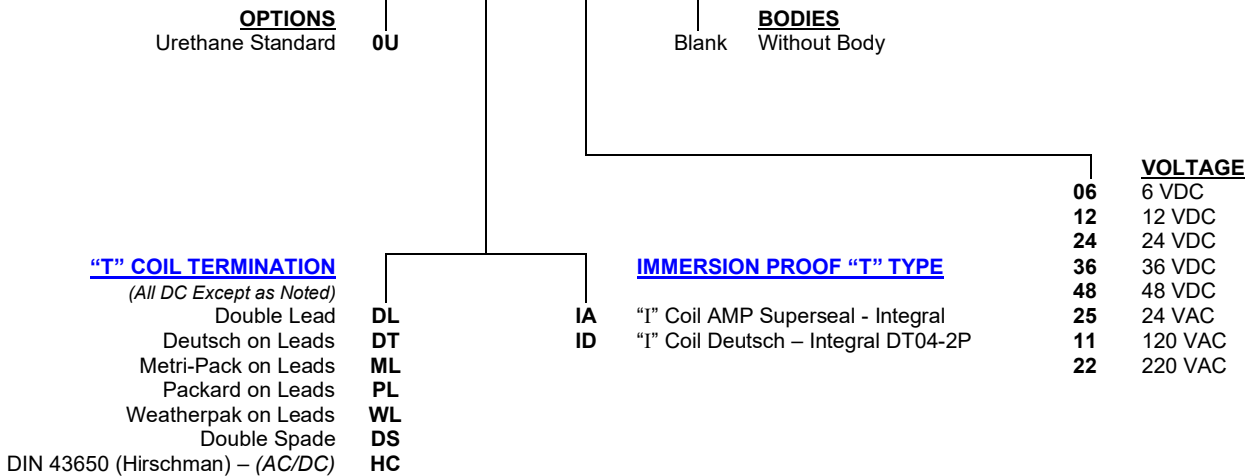
NOTE 3:
IN SITUATIONS WHERE FLOW PASSAGES DO NOT ENTER THE CENTERLINE OF THE CAVITY BUT ARE GREATER THAN .01 INCHES OFF THE CENTERLINE AND PERPENDICULARITY OF THE CAVITY, THE PRODUCT PERFORMANCE WILL SUFFER WITH BERNOULLI MALFUNCTIONS THAT CAN OCCUR AT APPROX. 65% OF PRODUCT RATING.

NOTE 4:
TANGENCY OR ANGULAR FLOW PASSAGES ARE NOT ALLOWED AS BERNOULLI MALFUNCTIONS CAN OCCUR AT APPROX. 65% OF PRODUCT RATING.



ORDERING INFORMATION

SN065-S4-01



Approximate Coil Weight: .89 lbs/.41 kg.

WARNING: the specifications/application data shown in our catalogs and data sheets are intended only as a general guide for the product described (herein). Any specific application should not be undertaken without independent study, evaluation, and testing for suitability.