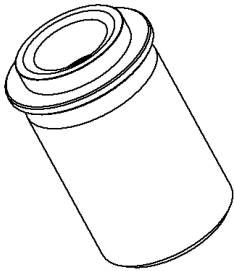


SN069-RV-01 DIRECT ACTING RELIEF, RETURN LINE CONTROL VALVE



DESCRIPTION

70 GPM [265 LPM], "Press In" direct acting relief valve.

OPERATION

The SN069-RV-01 blocks flow from (1) to (2) until sufficient pressure is present at (1) to force the poppet to open and allow metered flow from (1) to (2)

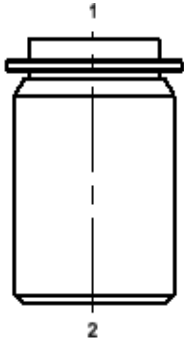
Press In relief provides a flat regulation curve for low pressure return line control applications.

POTENTIAL USES

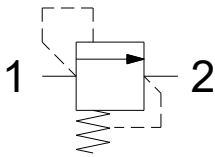
- Lubrication relief control in automatic transmission
- Oil cooler bypass relief valve
- Return line filter bypass relief
- Can be used to generate charge pressure
- Can be used to generate low control pressure

FEATURES

- Hardened parts for long life.
- Small package size.
- Low cost.



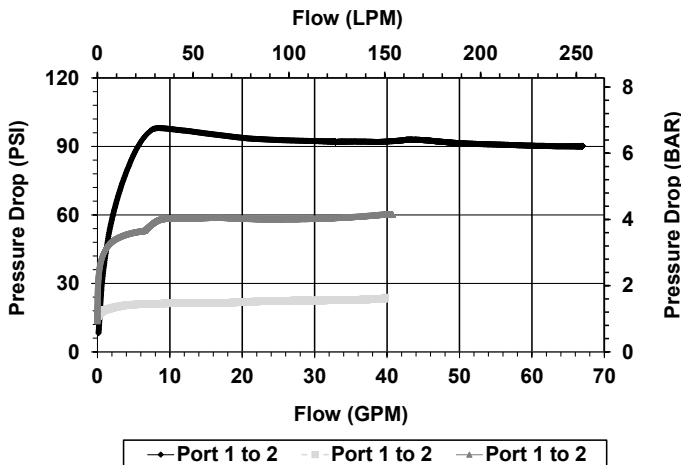
HYDRAULIC SYMBOL



Consult factory for other potential applications.

PERFORMANCE

Actual Test Data (Cartridge Only)



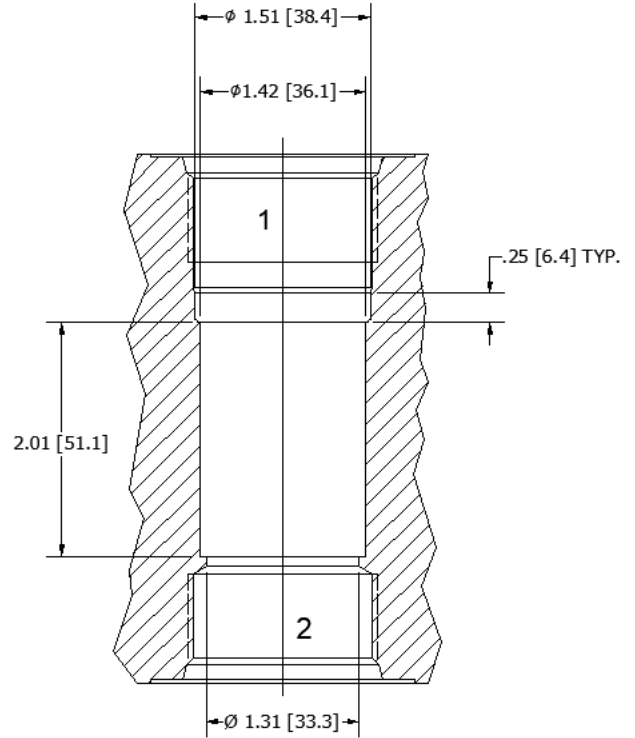
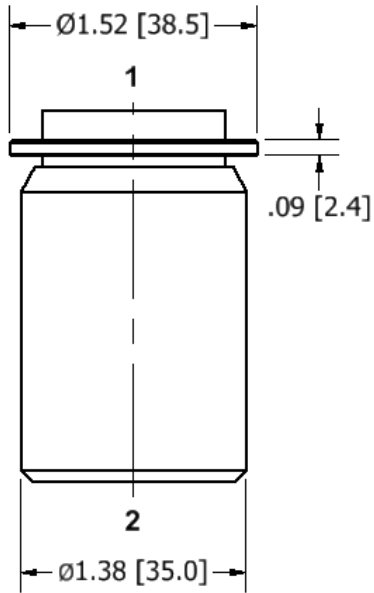
VALVE SPECIFICATIONS

Nominal Flow	70 GPM (265 LPM)
Rated Operating Pressure	500 PSI (35 bar)
Rated Port 2 Pressure	300 PSI (21 bar)
Viscosity Range	36 to 3000 SSU (3 to 647 cSt)
Filtration	ISO 18/16/13
Media Operating Temperature Range	-40° to 250° F (-40° to 120° C)
Weight	0.30 lbs. (0.14 kg)
Operating Fluid Media	General Purpose Hydraulic Fluid
Cartridge Installation Requirements	Press into Ø1.512/1.510 bore (See factory for Cavity)
Cavity	40200069
Cavity Form Tool (Finishing)	-----

11/2025

WARNING: the specifications/application data shown in our catalogs and data sheets are intended only as a general guide for the product described (herein). Any specific application should not be undertaken without independent study, evaluation, and testing for suitability.

DIMENSIONS



**FOR SPECIFIC CAVITY DIMENSIONS
CONSULT FACTORY**

ORDERING INFORMATION

SN069-RV-01	-	CRACK PRESSURE SETTING
		0020 20 PSI [1.4 BAR]
		0045 45 PSI [3.0 BAR]
		0060 60 PSI [4.0 BAR]
		0090 90 PSI [6.0 BAR]

WARNING: the specifications/application data shown in our catalogs and data sheets are intended only as a general guide for the product described (herein). Any specific application should not be undertaken without independent study, evaluation, and testing for suitability.