

MANUAL OVERRIDE OPTIONS

PULL TYPE MANUAL OVERRIDE OPTION

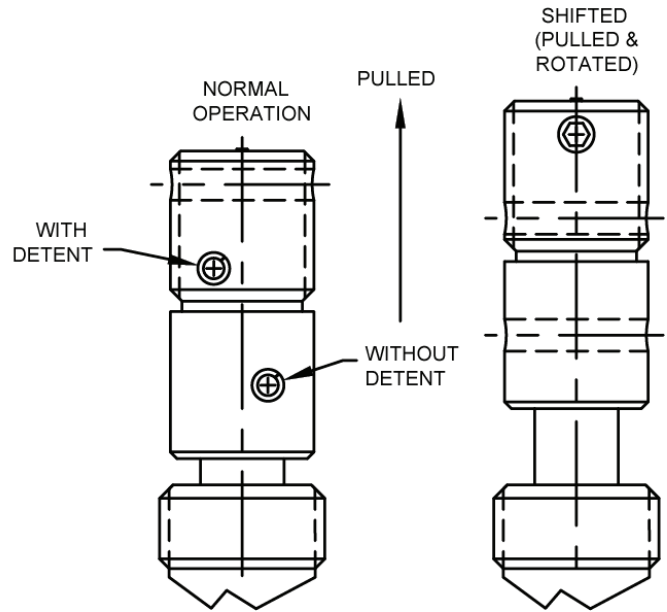
Standard override option for pull type solenoid valves.

This override is offered with or without the detent option.

With detent option, pull and rotate 180 degrees, when released the override will remain in that position.

To return to the normal operating position, Rotate knob 180 degrees and release.

Without the detent option, knob must be pulled and held to maintain override position.



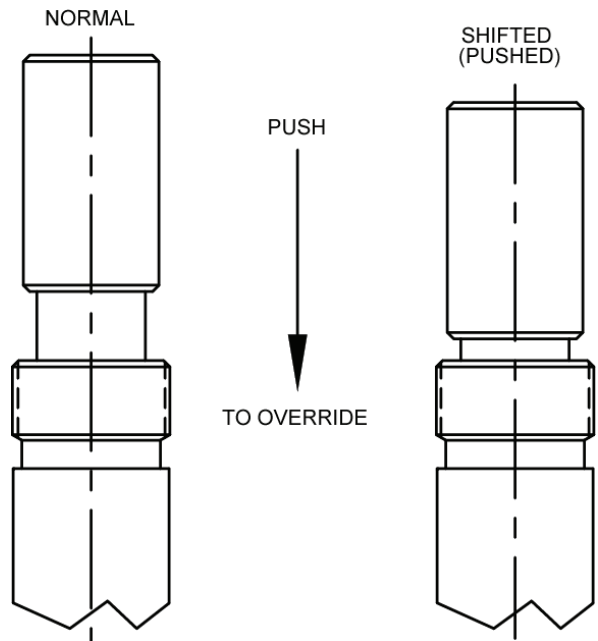
PUSH TYPE MANUAL OVERRIDE OPTION

Standard push type override option used for 4W3P valves.

To activate override option, push knob and Hold, when released, the valve returns to normal operation position.

Note: override option only functions in the push (S1 coil) direction.

This override option is intended for emergency use only and is not intended for continuous duty operation.



MANUAL OVERRIDE OPTIONS
ROTARY TYPE MANUAL OVERRIDE OPTION

Standard rotary override option for normally open valves.

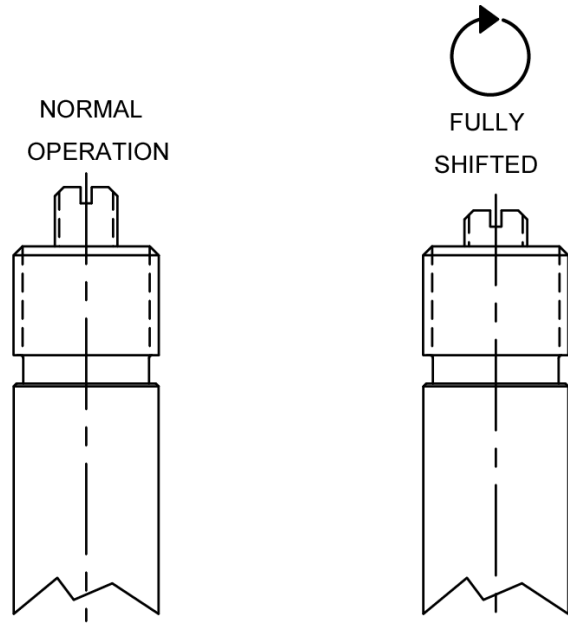
This override option is offered with or without a knob.

To activate override option, fully rotate using a flat tip screwdriver or the knob in a clockwise direction.

To de-activate override, fully rotate using a flat tip screwdriver or the knob in a counter clockwise direction.

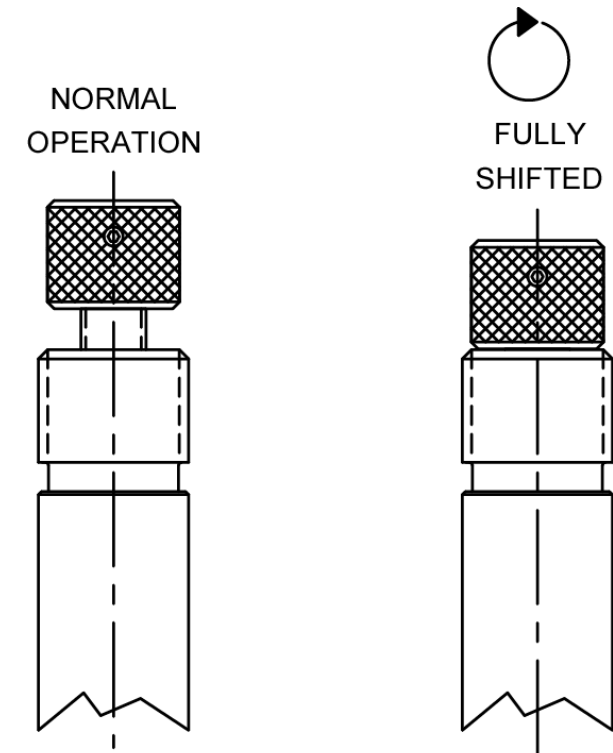
Note: not rotating override fully in either direction will result in partial shifting of valve.

WARNING: Over torque of manual override could result in valve damage.



Note: rotary Pull Type Manual Override Option (Pull type Valves-Reference Models HB-S2A & HB-S2B).

Because HB-S2A & HB-S2B are Pull type Valves, “fully in” is the normal state and “fully out” is “fully shifted” state so opposite of what is shown in image”.



WARNING: the specifications/application data shown in our catalogs and data sheets are intended only as a general guide for the product described (herein). Any specific application should not be undertaken without independent study, evaluation, and testing for suitability.