

**IMMERSION PROOF "D" TYPE "I" COILS**

**DESCRIPTION**

1/2 inch (13 mm) I.D. Immersion Proof Coil.

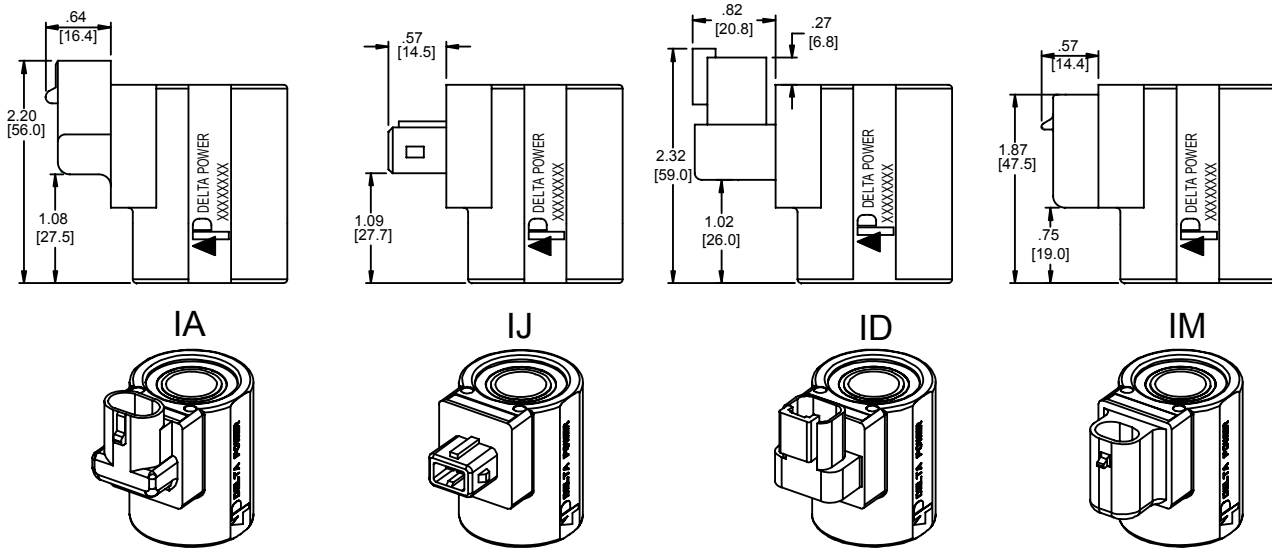
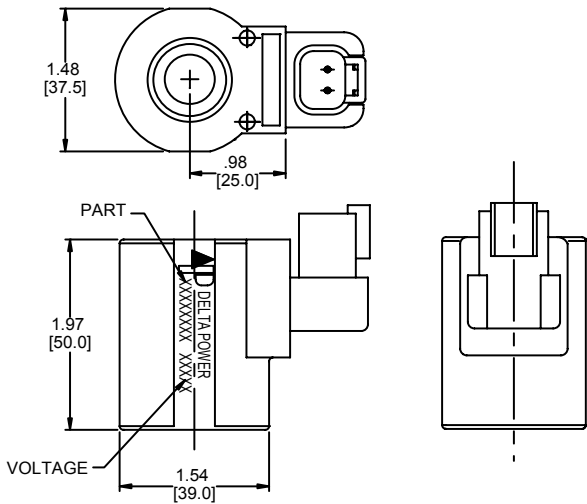
**FEATURES**

One piece encapsulated design that is:

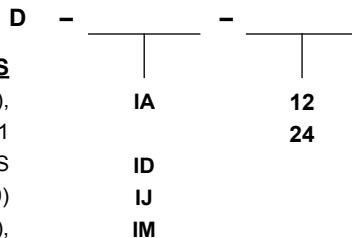
- Weatherproof
- Immersion proof
- Thermal shock / dunk tested
- No external metal shell

**COIL SPECIFICATION**

Wattage	24 Watts Nominal
Duty Rating	Continuous Duty ±10% rated voltage at 70°F (21°C) ambient
Min Current for Actuation	90% of rated current at room temperature
Magnet Wire Class	H or Better for all voltages
Temperature Range	-40° to 392°F (-40° to 200°C)
Encapsulation Material	Thermo-Plastic, resistant to moisture, caustic solutions, fungus and vibrations



**ORDERING INFORMATION**



Approximate Coil Weight: .49 lbs (.22 kg)

**TERMINATIONS**

- AMP Superseal 1.5 – Integral (282104.1), mates w/282080.1 & Metri-pack 12052641
- Deutsch – Integral DT04-2P, mates w/DT06-2S
- AMP Junior Timer - Integral (84-9419)
- Metri-pack 150.2 Series – Integral (12066016), mates w/12162193

**VOLTAGE**

- 12 VDC / 2.0 Amp Yellow Lettering
- 24 VDC / 1.0 Amp Blue Lettering

NOTE: pull type valves require nut 36202073 in lieu of standard nut. Push type valves require nut 36202071 in lieu of standard nut.

W7 / 12-2022

**WARNING:** the specifications/application data shown in our catalogs and data sheets are intended only as a general guide for the product described (herein). Any specific application should not be undertaken without independent study, evaluation, and testing for suitability.