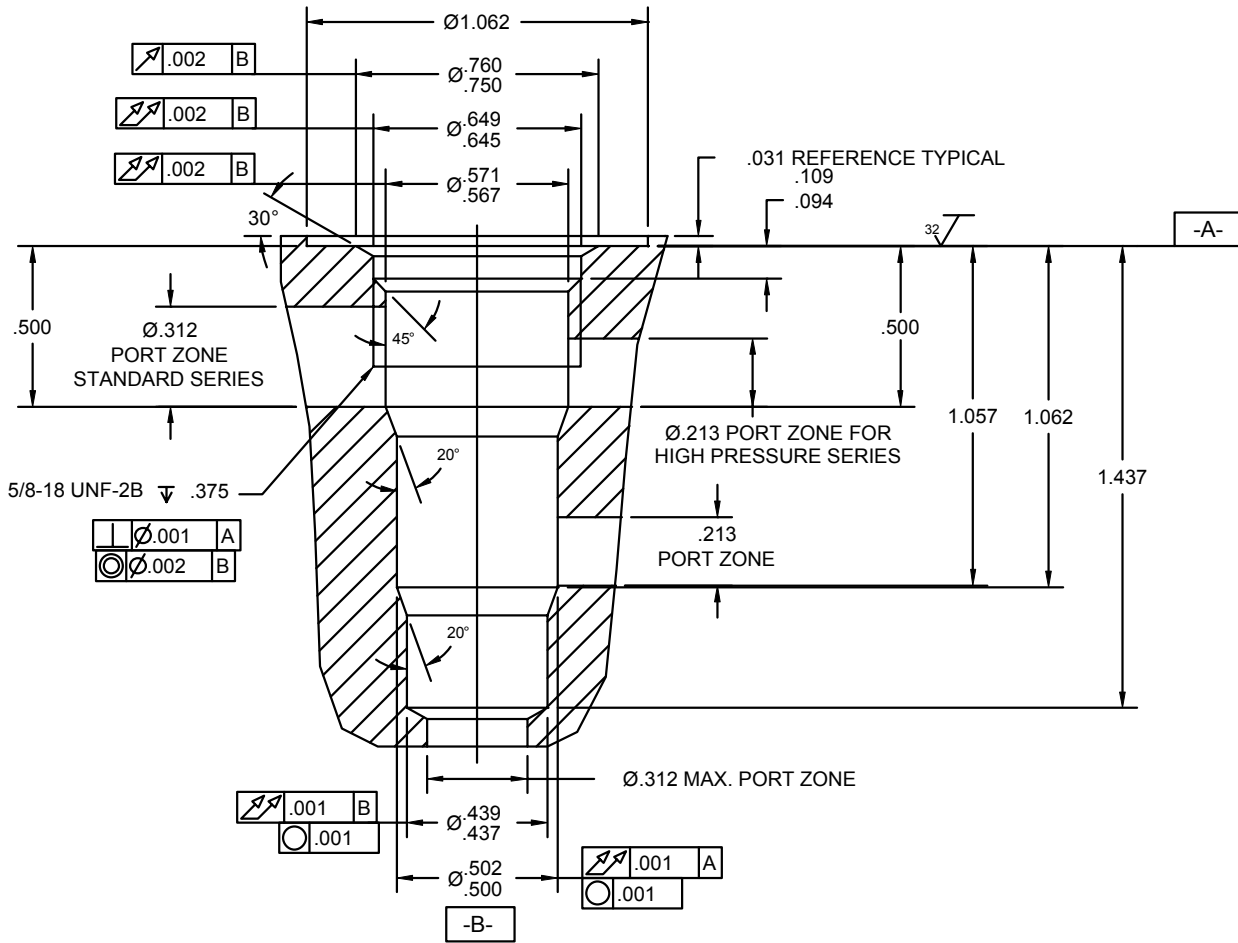


**MINI 3W 7 SIZE, 5/8-18 THREAD "MINI" SERIES**



**NOTES:**

1. CAVITY CAN BE MACHINED WITH DELTA FORM TOOL #40500004.
2. ALL MACHINED SURFACES TO BE  $\sqrt{32}$  FINISH OR BETTER, EXCLUDING THREADS.
3. IT IS VERY IMPORTANT THAT VALVE CAVITIES MEET ALL DIMENSIONAL AND QUALITY STANDARDS OF CONCENTRICITY AND PERPENDICULARITY. THREADS MUST BE PERPENDICULAR TO THE SPOTFACE SURFACE. SPOTFACE MUST CLEAN UP TO FULL DIAMETER. IMPROPERLY MACHINED CAVITIES CAN LEAD TO CARTRIDGE MALFUNCTION AND/OR FAILURE FROM DISTORTION.
4. PORT ZONE IS Ø.213 MAXIMUM AT PORT #1 ONLY FOR HIGH PRESSURE SERIES MINI VALVES (HA-\*\*\*-\*\*).

**WARNING:** the specifications/application data shown in our catalogs and data sheets are intended only as a general guide for the product described (herein). Any specific application should not be undertaken without independent study, evaluation, and testing for suitability.