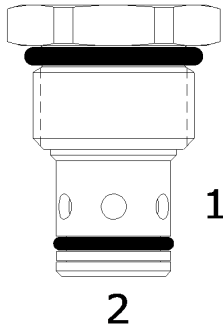


DE-CVB DIRECT ACTING CHECK VALVE, BALL

DESCRIPTION

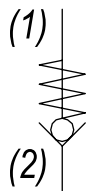
10 size, 7/8-14 thread, "Delta" series, direct acting, check valve.

OPERATION

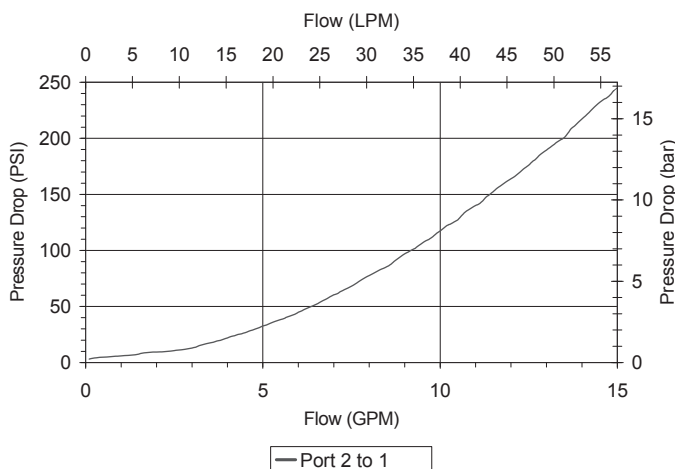
The DE-CVB allows free flow passage from (2) to (1), and blocks flow from (1) to (2). The cartridge has a hardened ball, which is spring-biased closed, until sufficient pressure is applied at (2) to open to (1).

FEATURES

- Hardened seat for long life and low leakage.
- Optional bias springs for backpressure application flexibility.
- Industry common cavity.

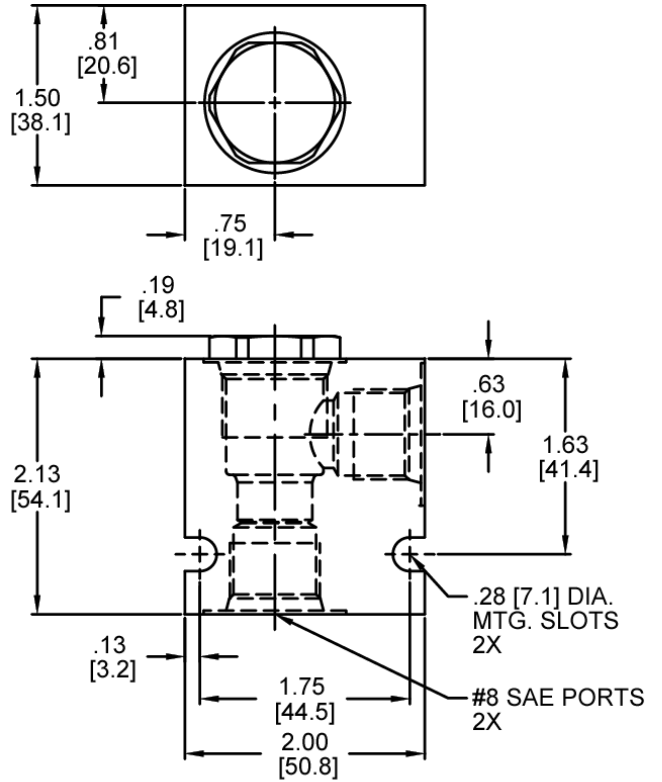
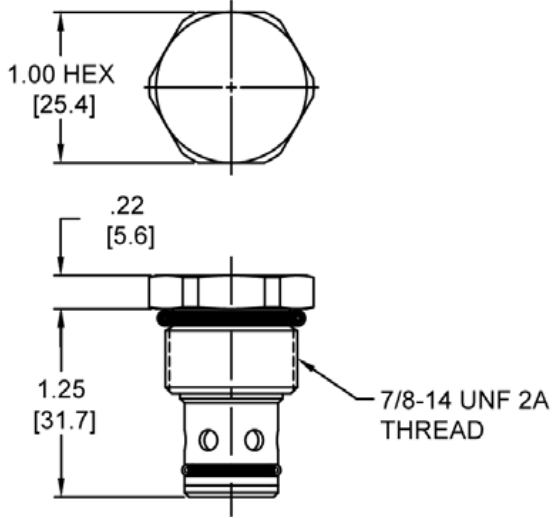
HYDRAULIC SYMBOL

PERFORMANCE

Actual Test Data (Cartridge Only)


VALVE SPECIFICATIONS

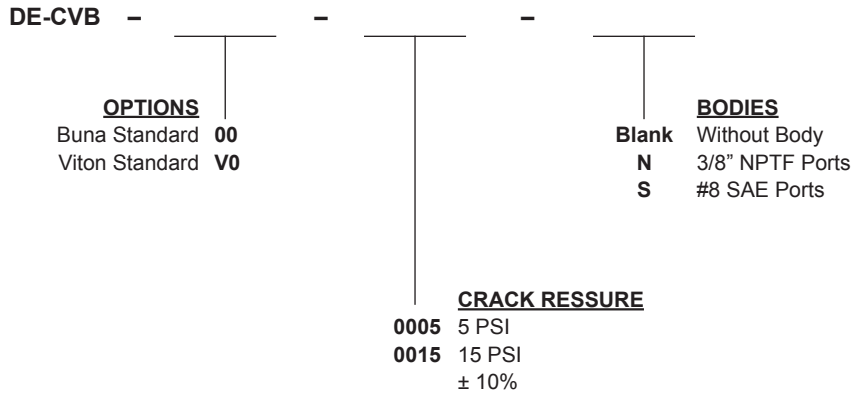
Nominal Flow	10 GPM (38 LPM)
Rated Operating Pressure	3500 PSI (241 bar)
Typical Internal Leakage (150 SSU)	0-5 drops/min
Viscosity Range	36 to 3000 SSU (3 to 647 cSt)
Filtration	ISO 18/16/13
Media Operating Temp. Range	-40° to 250°F (-40° to 120°C)
Weight	.14 lbs (.06 kg)
Operating Fluid Media	General Purpose Hydraulic Fluid
Cartridge Torque Requirements	30 ft-lbs (40.6 Nm)
Cavity	DELTA 2W
Cavity Form Tool (Finishing)	40500000
Seal Kit	21191000

DIMENSIONS



Body Weight: .47 lbs (.21 kg)

ORDERING INFORMATION



WARNING: the specifications/application data shown in our catalogs and data sheets are intended only as a general guide for the product described (herein). Any specific application should not be undertaken without independent study, evaluation, and testing for suitability.