

DE-CVC DIRECT ACTING CHECK VALVE, GUIDED BALL
DESCRIPTION

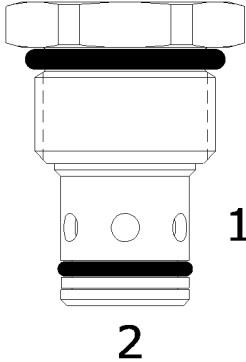
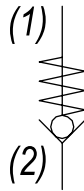
10 size, 7/8-14 thread, "Delta" series, direct acting check valve.

OPERATION

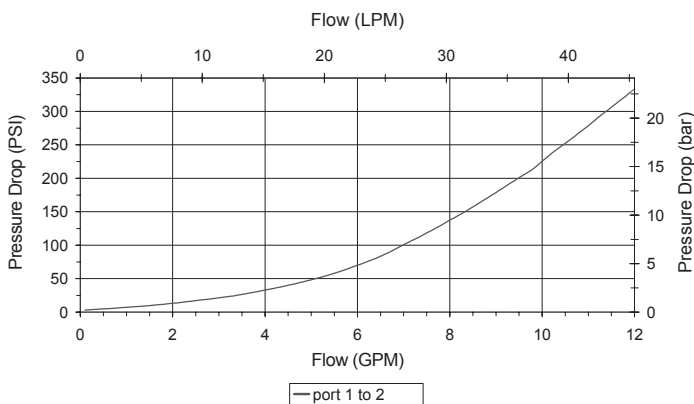
The DE-CVC allows free flow passage from (2) to (1), and blocks flow from (1) to (2). The cartridge has a fully guided hardened ball, which is spring-biased closed, until sufficient pressure is applied at (2) to open to (1).

FEATURES

- Hardened parts for long life and low leakage.
- Optional bias springs for backpressure application flexibility.
- Fully guided ball assembly.
- Industry common cavity.

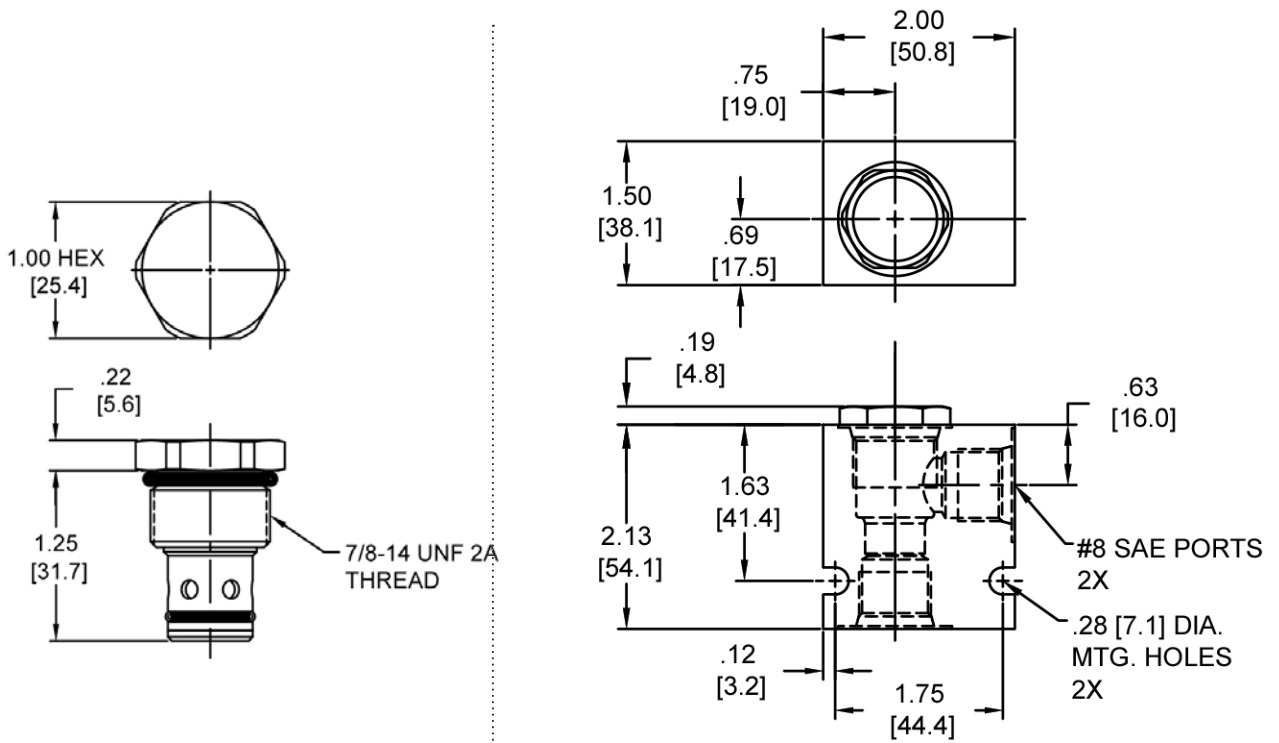

HYDRAULIC SYMBOL

PERFORMANCE

Actual Test Data (Cartridge Only)


VALVE SPECIFICATIONS

Nominal Flow	8 GPM (30 LPM)
Rated Operating Pressure	3500 PSI (241 bar)
Typical Internal Leakage (150 SSU)	0-5 drops/min
Viscosity Range	36 to 3000 SSU (3 to 647 cSt)
Filtration	ISO 18/16/13
Media Operating Temp. Range	-40° to 250°F (-40° to 120°C)
Weight	.15 lbs (.07 kg)
Operating Fluid Media	General Purpose Hydraulic Fluid
Cartridge Torque Requirements	30 ft-lbs (40.6 Nm)
Cavity	DELTA 2W
Cavity Form Tool (Finishing)	40500000
Seal Kit	21191200

DIMENSIONS



Body Weight: .47 lbs (.21 kg)

ORDERING INFORMATION

<p>DE-CVC - - -</p> <p>OPTIONS</p> <p>Buna Standard 00</p> <p>Viton Standard V0</p>	<p>BODIES</p> <p>Blank Without Body</p> <p>N 3/8" NPTF Ports</p> <p>S #8 SAE Ports</p>
<p>CRACK RESSURE</p> <p>0003 3 PSI</p> <p>0005 5 PSI</p> <p>0010 10 PSI</p> <p>0020 20 PSI</p> <p>0035 35 PSI</p> <p>0050 50 PSI</p> <p>0075 75 PSI</p> <p>0095 95 PSI</p> <p>± 10%</p>	

WARNING: the specifications/application data shown in our catalogs and data sheets are intended only as a general guide for the product described (herein). Any specific application should not be undertaken without independent study, evaluation, and testing for suitability.