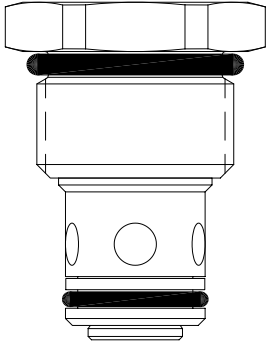


DE-CVR REVERSE FLOW CHECK VALVE, POPPET

DESCRIPTION

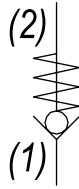
10 size, 7/8-14 thread, "Delta" series, reverse flow check valve.

OPERATION

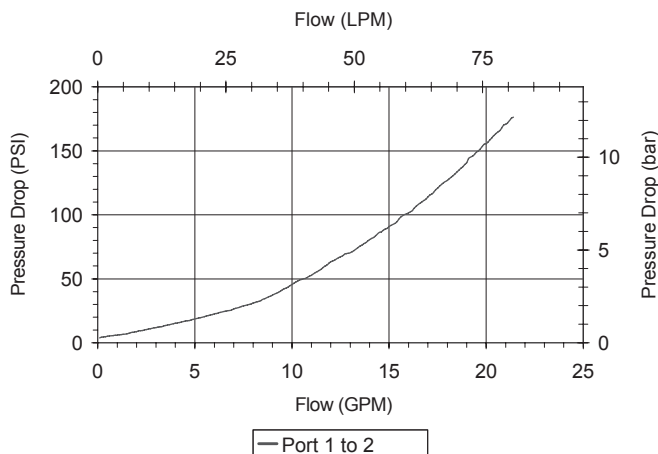
The DE-CVR allows free flow (1) to (2) and blocks flow from (2) to (1).

FEATURES

- Hardened parts for long life and low leakage.
- Industry common cavity.
- Optional bias springs for backpressure application flexibility.

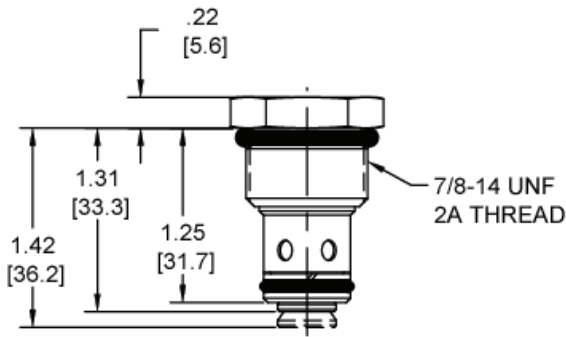
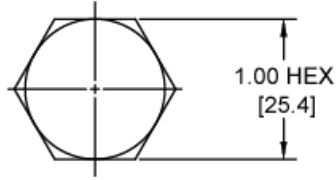
HYDRAULIC SYMBOL

PERFORMANCE

Actual Test Data (Cartridge Only)

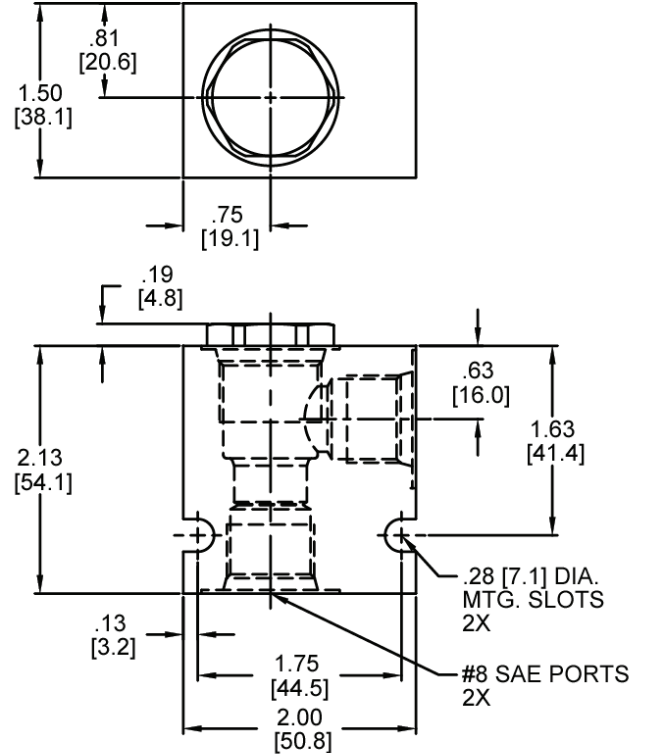

VALVE SPECIFICATIONS

Nominal Flow	15 GPM (57 LPM)
Rated Operating Pressure	3500 PSI (241 bar)
Typical Internal Leakage (150 SSU)	0-5 drops/min
Viscosity Range	36 to 3000 SSU (3 to 647 cSt)
Filtration	ISO 18/16/13
Media Operating Temp. Range	-40° to 250°F (-40° to 120°C)
Weight	.15 lbs (.07 kg)
Operating Fluid Media	General Purpose Hydraulic Fluid
Cartridge Torque Requirements	30 ft-lbs (40.6 Nm)
Cavity	DELTA 2W
Cavity Form Tool (Finishing)	40500000
Seal Kit	21191204

DIMENSIONS



MINIMUM .563 DIAMETER PREDRILL 1.53 DEEP REQUIRED.



Body Weight: .47 lbs (.21 kg)

ORDERING INFORMATION

DE-CVR	-	-	-	-
OPTIONS				BODIES
Buna Standard				Blank
Viton Standard	00			N
Buna & Screen	V0			S
Viton & Screen	A0			Without Body
	W0			3/8" NPTF Ports
				#8 SAE Ports
			CRACK RESSURE	
			0005	5 PSI
			0025	25 PSI
				± 10%

WARNING: the specifications/application data shown in our catalogs and data sheets are intended only as a general guide for the product described (herein). Any specific application should not be undertaken without independent study, evaluation, and testing for suitability.