

DE-MCA MANUAL POPPET VALVE, 2 WAY NORMALLY CLOSED, PULL TYPE
DESCRIPTION

10 size, 7/8-14 thread, "Delta" series, manual poppet valve, 2 way normally closed, pull type.

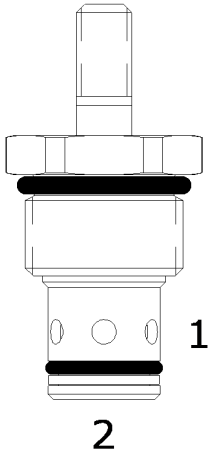
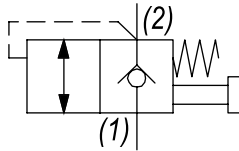
OPERATION

The DE-MCA blocks flow from (1) to (2) until an operator pulls the shaft outward. The bias spring allows for backpressure at (2) before the valve will open (see option page for pressure).

Note: pressure at port (2) will directly act on the poppet and spring. Port (2) is intended to be a tank port only.

FEATURES

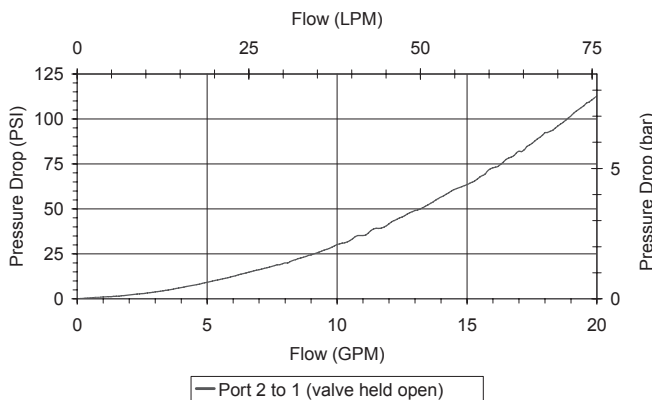
- Hardened parts for long life.
- Industry common cavity.
- Optional bias springs for backpressure application flexibility.


HYDRAULIC SYMBOL


65 PSI bias provides comfortable effort where return line is near zero. 160 PSI option may be difficult to pull, if tank pressure is near zero.

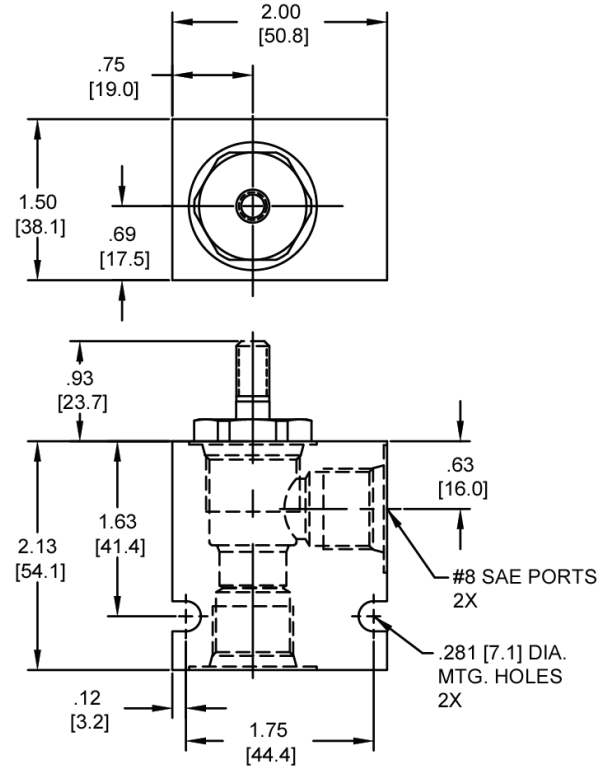
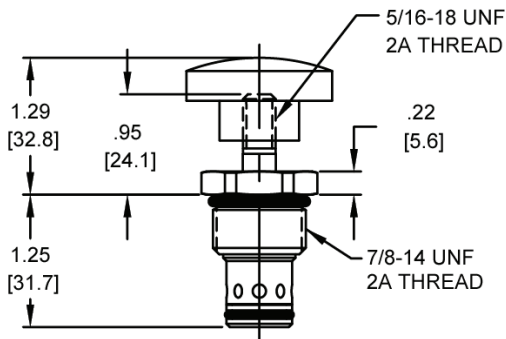
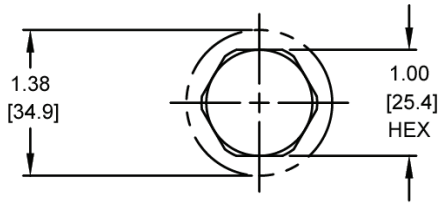
PERFORMANCE

Actual Test Data (Cartridge Only)


VALVE SPECIFICATIONS

Nominal Flow	15 GPM (57 LPM)
Rated Operating Pressure	3500 PSI (241 bar)
Typical Internal Leakage (150 SSU)	5 drops/min
Viscosity Range	36 to 3000 SSU (3 to 647 cSt)
Filtration	ISO 18/16/13
Media Operating Temp. Range	-40° to 250°F (-40° to 120°C)
Weight	.18 lbs (.08 kg)
Operating Fluid Media	General Purpose Hydraulic Fluid
Cartridge Torque Requirements	30 ft-lbs (40.6 Nm)
Cavity	DELTA 2W
Cavity Form Tool (Finishing)	40500000
Seal Kit	21191200

DIMENSIONS



Body Weight: .47 lbs (.21 kg)

ORDERING INFORMATION

DE-MCA - - -

- OPTIONS**
- Buna Standard **00**
 - Viton Standard **V0**
 - Buna, Screen **A0**
 - Viton, Screen **W0**
 - Buna, Knob **0K**
 - Viton, Knob **VK**
 - Buna, Knob, Screen **AK**
 - Viton, Knob, Screen **WK**

- BODIES**
- Blank Without Body
 - N** 3/8" NPTF Ports
 - S** #8 SAE Ports

SPRING BIAS PRESSURE

- 0065** 65 PSI
- 0160** 160 PSI

Note: use screen only if flow direction is from (1) to (2).

Note: pressure above SPRING BIAS PRESSURE at port (2) may cause valve to self open.

WARNING: the specifications/application data shown in our catalogs and data sheets are intended only as a general guide for the product described (herein). Any specific application should not be undertaken without independent study, evaluation, and testing for suitability.