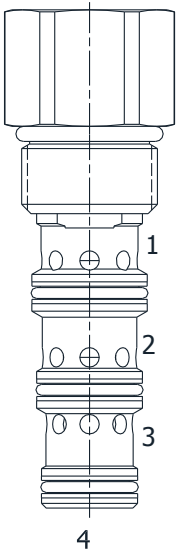


DG-PDI PILOTED DIRECTIONAL VALVE, 3 WAY NORMALLY OPEN

DESCRIPTION

10 size, 7/8-14 thread, "Delta" series, 3 way normally open piloted directional valve.

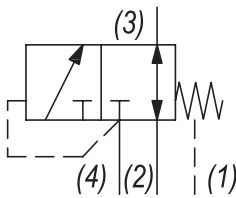
OPERATION

The DG-PDI in neutral (un-piloted), allows flow between (3) and (2) bi-directional, while blocking at (4). The spring chamber is constantly vented at (1). On attainment of a predetermined pressure at (4), the cartridge shifts to close (3) to (2), while opening (4) to (3).

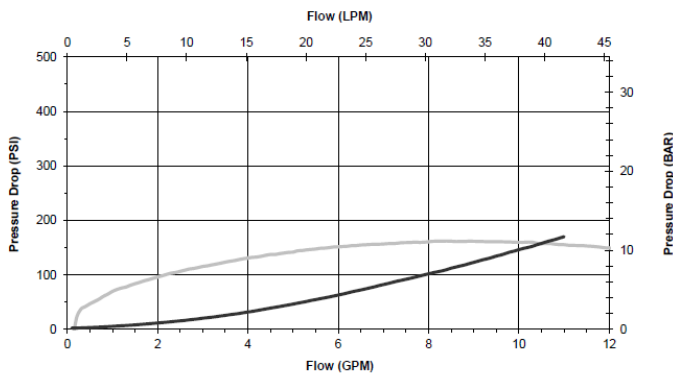
Note: that the backpressure value at (1) must be added to the selected pressure setting to determine pilot pressure necessary to shift valve to second position.

FEATURES

- Hardened parts for long life.
- Industry common cavity

HYDRAULIC SYMBOL

PERFORMANCE

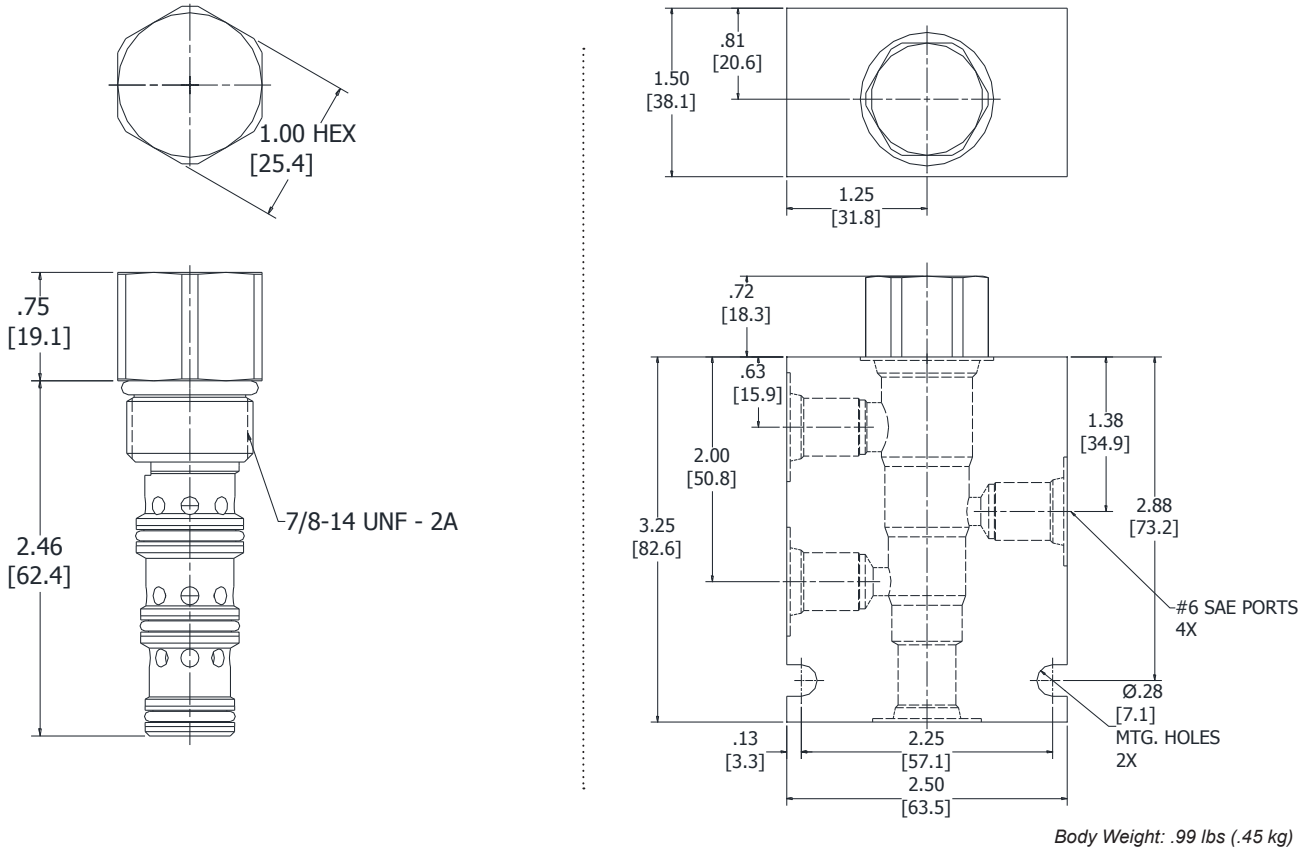
Actual Test Data (Cartridge Only)


VALVE SPECIFICATIONS

Nominal Flow	10 GPM (38 LTR/M)
Rated Operating Pressure	3000 PSI (207 bar)
Typical Internal Leakage (150 SSU)	5 cu in/min (82 ml/min)
Viscosity Range	36 to 3000 SSU (3 to 647 cSt)
Filtration	ISO 18/16/13
Media Operating Temp. Range	-40° to 250°F (-40° to 120°C)
Weight	.63 lbs (.28 kg)
Operating Fluid Media	General Purpose Hydraulic Fluid
Cartridge Torque Requirements	30 ft-lbs (40.6 Nm)
Cavity	DELTA 4W
Cavity Form Tool (Finishing)	40500002
Seal Kit	21191214

WARNING: the specifications/application data shown in our catalogs and data sheets are intended only as a general guide for the product described (herein). Any specific application should not be undertaken without independent study, evaluation, and testing for suitability.

DIMENSIONS



ORDERING INFORMATION

DG-PDI - - - -	
OPTIONS	BODIES
Buna Standard 00	Blank Without Body
Viton Standard V0	N 1/4" NPTF Ports
	S #6 SAE Ports
	PRESSURE SETTINGS
	0055 55 PSI
	0080 80 PSI
	0160 160 PSI

W/51 / 12-2022

WARNING: the specifications/application data shown in our catalogs and data sheets are intended only as a general guide for the product described (herein). Any specific application should not be undertaken without independent study, evaluation, and testing for suitability.