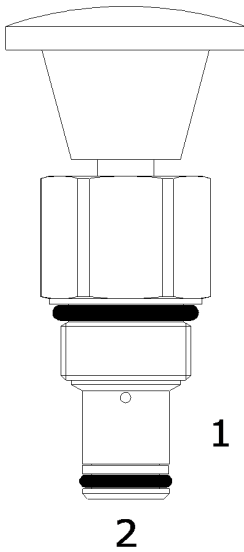


HB-MCP 2 WAY MANUAL VALVE, NORMALLY CLOSED, PUSH TYPE

DESCRIPTION

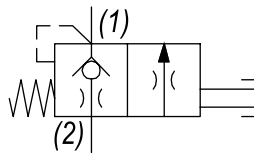
8 size, 3/4-16 thread, "Power" series, manual valve, 2 way normally closed, push type.

OPERATION

The HB-MCP blocks flow from (2) to (1) until an operator pushes the knob in allowing pressure at port #2 to drop to port #1 pressure.

FEATURES

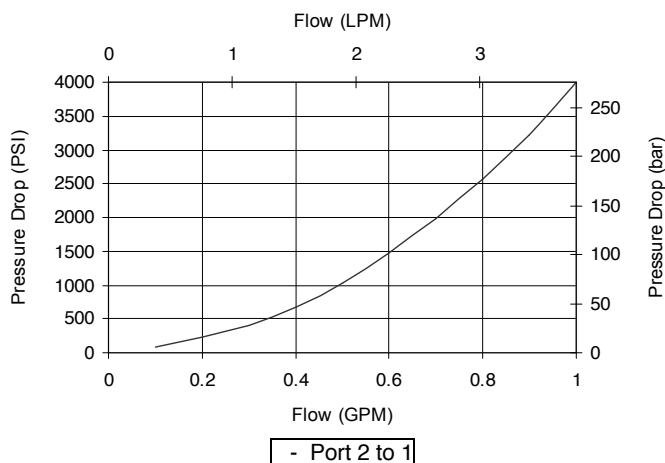
- Hardened parts for long life.
- Industry common cavity.

HYDRAULIC SYMBOL


Good as a pilot dump valve. Port #1 should be limited to <500 PSI to allow actuation (50 lbs), Port #2 actuation load at 4000 PSI (50 lbs).

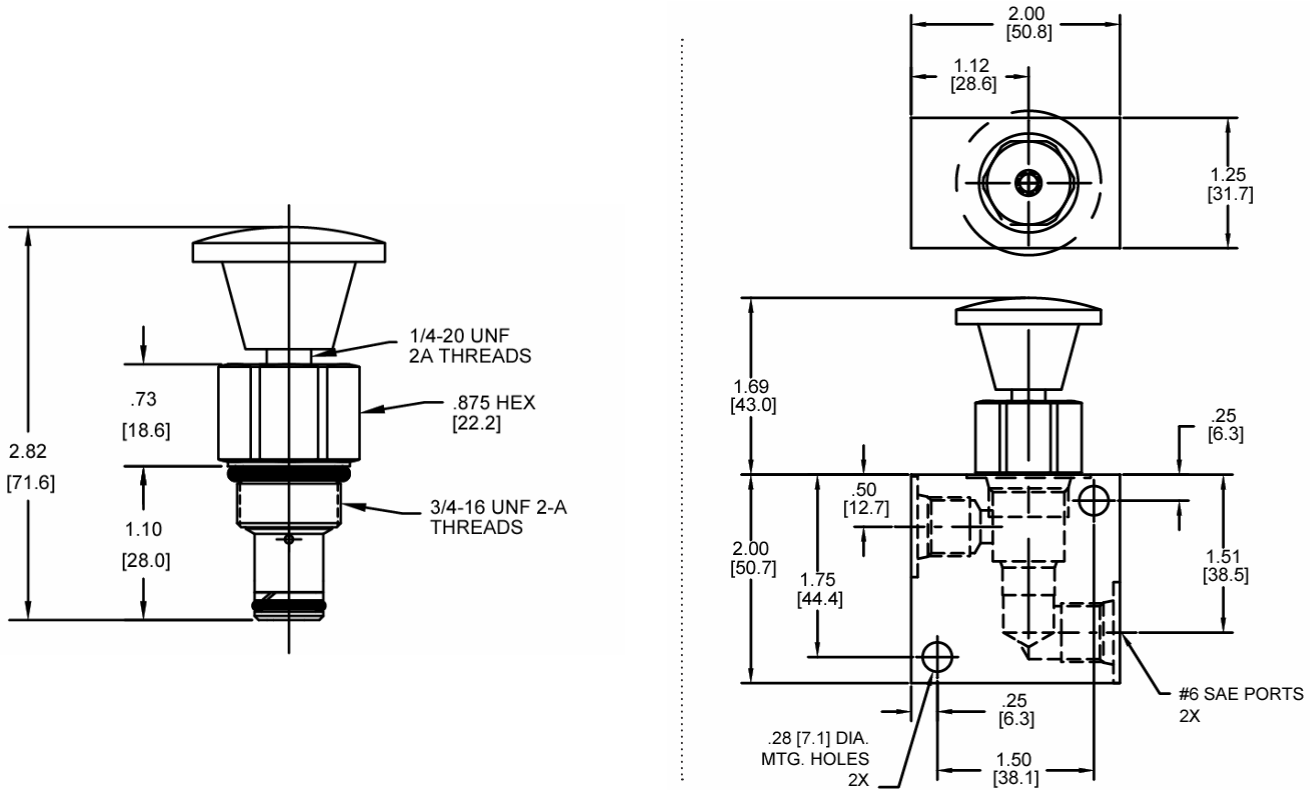
PERFORMANCE

Actual Test Data (Cartridge Only)


VALVE SPECIFICATIONS

Nominal Flow	1 GPM (4 LPM)
Max. Operating Pressure	4000 PSI (276 bar)
Typical Internal Leakage (150 SSU)	5 drops/min
Viscosity Range	36 to 3000 SSU (3 to 647 cSt)
Filtration	ISO 18/16/13
Media Operating Temp. Range	32° to 160°F (0° to 70°C)
Weight	.14 lbs (.06 kg)
Operating Fluid Media	General Purpose Hydraulic Fluid
Cartridge Torque Requirements	25 ft-lbs (34 Nm)
Cavity	POWER 2W
Cavity Form Tool (Finishing)	40500005
Seal Kit	21191100

DIMENSIONS



Body Weight: .39 lbs (.18 kg)

ORDERING INFORMATION

HB-MCP		-	-
OPTIONS			BODIES
Buna, Knob	OK		Blank Without Body
Viton, Knob	VK		N 1/4" NPTF Ports
			S #6 SAE Ports

Note: aluminum NOT durability rated for 4000 PSI. Consult factory for options.

WARNING: the specifications/application data shown in our catalogs and data sheets are intended only as a general guide for the product described (herein). Any specific application should not be undertaken without independent study, evaluation, and testing for suitability.