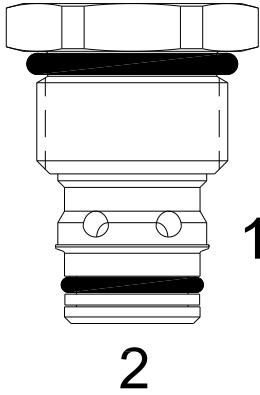


**HDE-CVA DIRECT ACTING CHECK VALVE, POPPET**
**DESCRIPTION**

"High Pressure" 10 size, 7/8-14 thread, "Delta" series, direct acting check valve.


**OPERATION**

The HDE-CVA allows free flow passage from (2) to (1), and blocks flow from (1) to (2).

The cartridge has a fully guided check poppet, which is spring-biased closed until sufficient pressure is applied at (2) to open to (1).

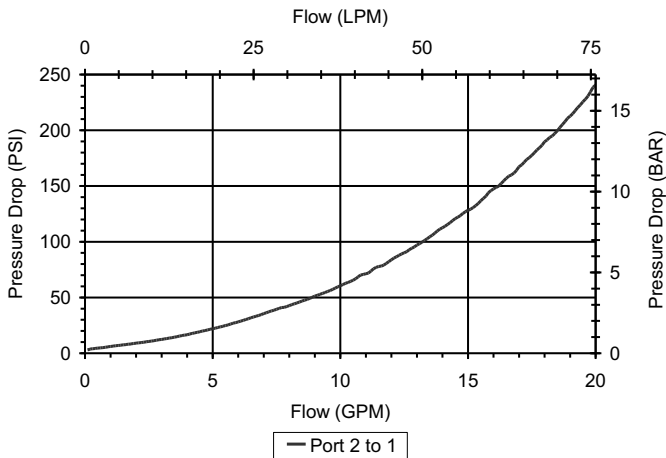
**FEATURES**

- Hardened parts for long life and low leakage.
- Optional bias springs for backpressure application flexibility.
- Fully guided poppet assembly.
- Industry common cavity.

**HYDRAULIC SYMBOL**

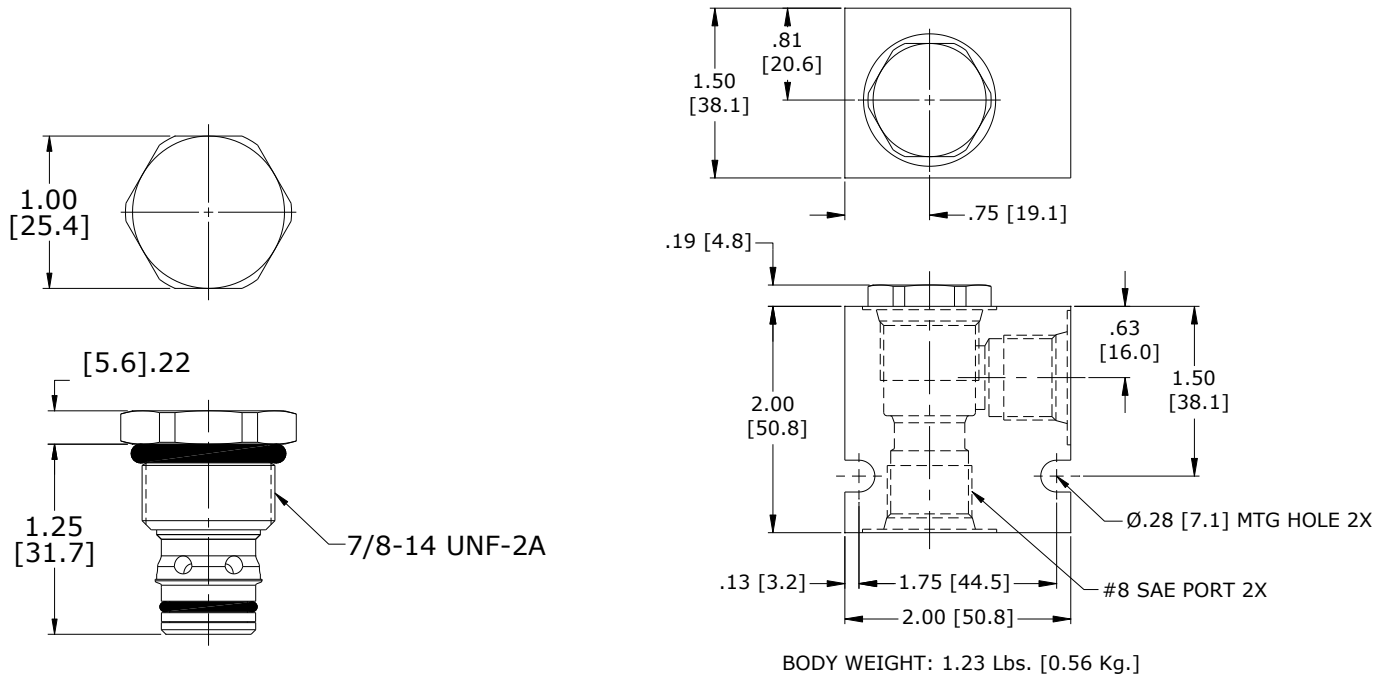
**PERFORMANCE**

Actual Test Data (Cartridge Only)


**VALVE SPECIFICATIONS**

Nominal Flow	15 GPM (57 LPM)
Rated Operating Pressure	4500 PSI (310 bar)
Typical Internal Leakage (150 SSU)	0-5 drops/min
Viscosity Range	36 to 3000 SSU (3 to 647 cSt)
Filtration	ISO 18/16/13
Media Operating Temperature Range	-40° to 250° F (-40° to 120° C)
Weight	0.15 lbs. (0.07 kg)
Operating Fluid Media	General Purpose Hydraulic Fluid
Cartridge Torque Requirements	50 ft-lbs (68 Nm)
Cavity	<a href="#">DELTA 2W</a>
Cavity Form Tool (Finishing)	40500000
Seal Kit	21191000

**DIMENSIONS**



**ORDERING INFORMATION**

**HDE-CVA - - -**

**OPTIONS**  
 Buna Standard **00**  
 Viton Standard **V0**

**BODIES**  
 Without body  
 3/8 NPTF Ports  
 #8 SAE Ports

Note: Aluminum **NOT** durability rated for 4500 PSI. Consult factory for body options.

**CRACK PRESSURE**  
**0005** 5 PSI  
**0010** 10 PSI  
**0020** 20 PSI  
**0035** 35 PSI  
**0070** 70 PSI  
**0090** 90 PSI  
**0135** 135 PSI  
**0150** 150 PSI  
 ± 10%

**WARNING:** the specifications/application data shown in our catalogs and data sheets are intended only as a general guide for the product described (herein). Any specific application should not be undertaken without independent study, evaluation, and testing for suitability.