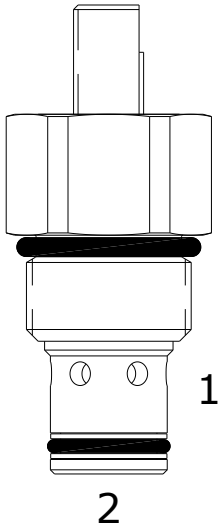


HDE-M2H 2 WAY NORMALLY OPEN, MANUAL ROTARY SPOOL VALVE
DESCRIPTION

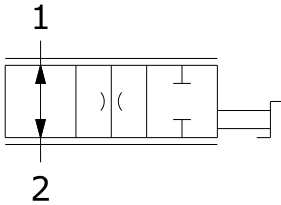
"High Pressure" 10 size, 7/8-14 thread, "Delta" series, manual rotary spool valve, 2 way normally open.

OPERATION

The HDE-M2H when rotated clockwise (fully open position) allows flow from (1) to (2) and (2) to (1). When rotated counterclockwise (fully closed position), the cartridge blocks flow from (1) to (2) and (2) to (1).


FEATURES

- Hardened parts for long life.
- Industry common cavity.

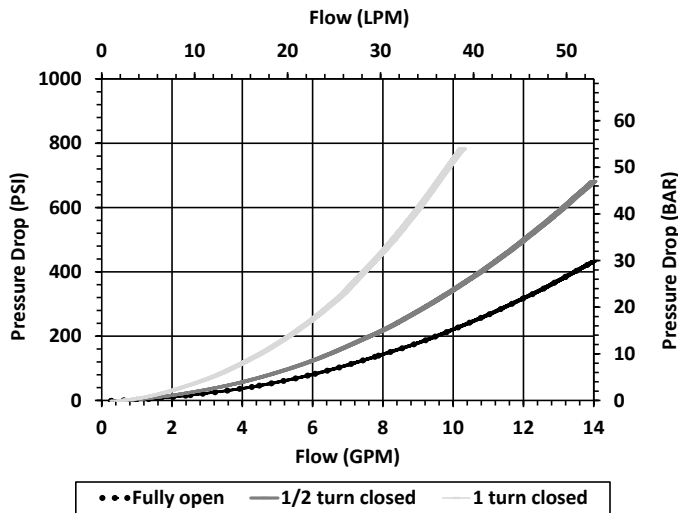
HYDRAULIC SYMBOL


May be used as a metering product. Valve has approximately 3.5 turns of adjustment from fully open to fully closed. Flow adjustability is about 2 full rotations.

See chart for fully open pressure drop.

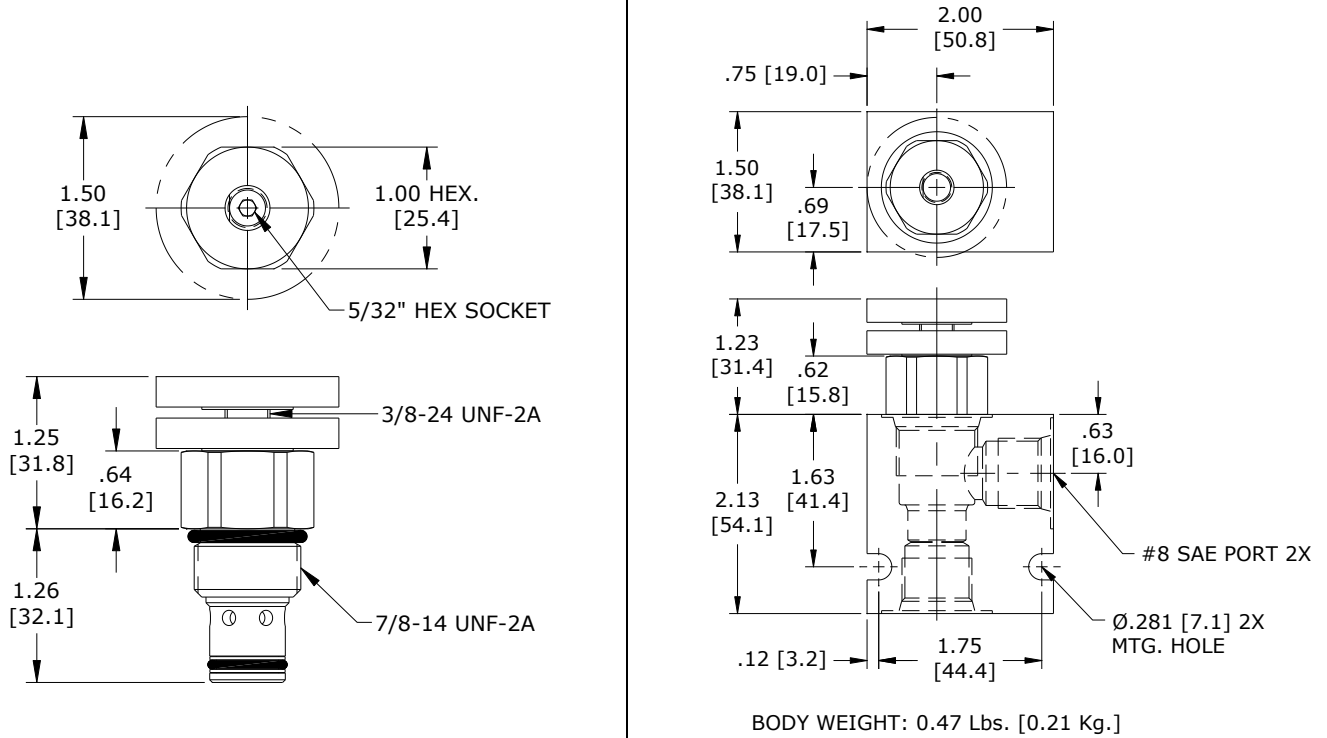
PERFORMANCE

Actual Test Data (Cartridge Only)


VALVE SPECIFICATIONS

Nominal Flow	See performance graph
Rated Operating Pressure	4200 PSI (290 bar)
Typical Internal Leakage (150 SSU)	5 cu/in per min (82 ml/min)
Viscosity Range	36 to 3000 SSU (3 to 647 cSt)
Filtration	ISO 18/16/13
Media Operating Temperature Range	-40° to 250° F (-40° to 120° C)
Weight	0.27 lbs. (0.12 kg)
Operating Fluid Media	General Purpose Hydraulic Fluid
Cartridge Torque Requirements	50 ft-lbs (68 Nm)
Cavity	DELTA 2W
Cavity Form Tool (Finishing)	40500000
Seal Kit	21191202

DIMENSIONS



ORDERING INFORMATION

HDE-M2H - - -

<u>OPTIONS</u>			<u>BODIES</u>
Buna Standard	00	Blank	Without Body
Viton Standard	V0	N	3/8 NPTF Ports
Buna, Screen	A0	S	#8 SAE Ports
Viton, Screen	W0		
Buna, Knob	0K		
Viton, Knob	VK		
Buna, Knob, Screen	AK		
Viton, Knob, Screen	WK		

NOTE: Use screen only if flow direction is from (1) to (2).

WARNING: the specifications/application data shown in our catalogs and data sheets are intended only as a general guide for the product described (herein). Any specific application should not be undertaken without independent study, evaluation, and testing for suitability.