

HDF-CPA PILOT OPERATED CHECK VALVE, GUIDED BALL
DESCRIPTION

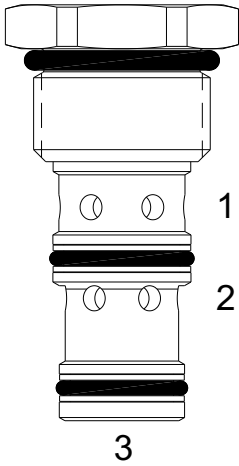
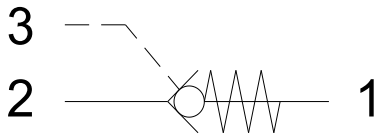
"High Pressure" 10 size, 7/8-14 thread, "Delta" series, pilot operated poppet check valve.

OPERATION

The HDF-CPA allows free flow to pass from (2) to (1) and blocks flow from (1) to (2). When pilot pressure is applied to port (3) the valve allows free flow from (1) to (2). A rate control orifice of 0.030" to 0.040" is required in feed line to port (3).

FEATURES

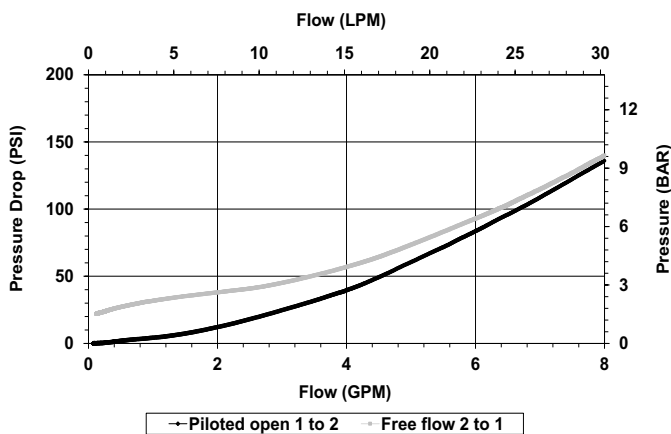
- Hardened parts for long life.
- Industry common cavity.


HYDRAULIC SYMBOL


0.030" to 0.040" diameter orifice required in the feed line to port (3).

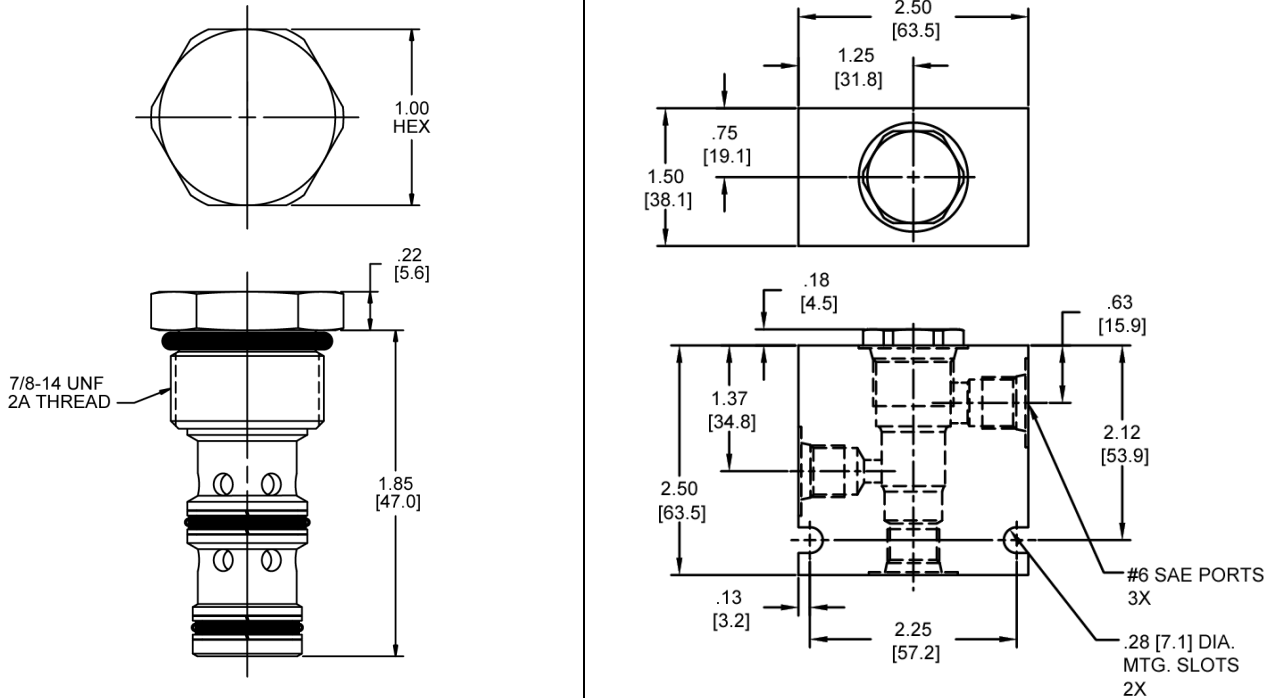
PERFORMANCE

Actual Test Data (Cartridge Only)


VALVE SPECIFICATIONS

Nominal Flow	6 GPM (23 LTR/M)
Rated Operating Pressure	4200 PSI (290 bar)
Typical Internal Leakage (150 SSU)	0-5 drops/min
Pilot Ratio	4:1
Viscosity Range	36 to 3000 SSU (3 to 647 cSt)
Filtration	ISO 18/16/13
Media Operating Temperature Range	-40° to 250° F (-40° to 120° C)
Weight	0.19 lbs. (0.09 kg)
Operating Fluid Media	General Purpose Hydraulic Fluid
Cartridge Torque Requirements	40 ft-lbs (54 Nm)
Cavity	DELTA 3W
Cavity Form Tool (Finishing)	40500001
Seal Kit	21191202

DIMENSIONS



ORDERING INFORMATION

HDF-CPA - - - -			
OPTIONS			BODIES
Buna Standard	00	Blank	Without Body
Viton Standard	V0	N	3/8 NPTF Ports
		S	SAE #6 Ports
			CRACK PRESSURE
		0025	25 PSI
			±10%

WARNING: the specifications/application data shown in our catalogs and data sheets are intended only as a general guide for the product described (herein). Any specific application should not be undertaken without independent study, evaluation, and testing for suitability.