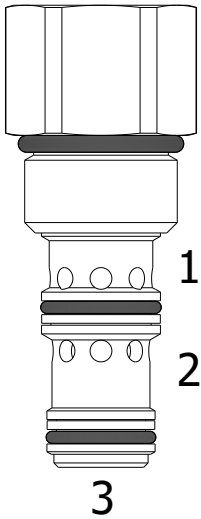


**HDF-PDE PILOTED DIRECTIONAL VALVE, NORMALLY CLOSED, EXTERNAL PILOT**
**DESCRIPTION**

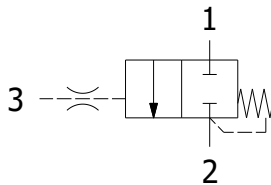
"High Pressure" 10 size, 7/8-14 thread, "Delta" series, external pilot normally closed, piloted directional valve.

**OPERATION**

The HDF-PDE blocks flow at ports (2) and (1). On attainment of a predetermined pressure at (3) the valve allows flow from (1) to (2).


**FEATURES**

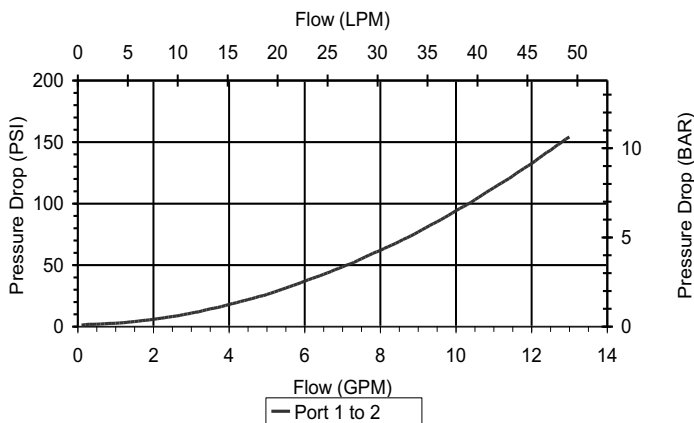
- Hardened parts for long life.
- Industry common Cavity.

**HYDRAULIC SYMBOL**


Do not use orifice disk under cartridge valve.

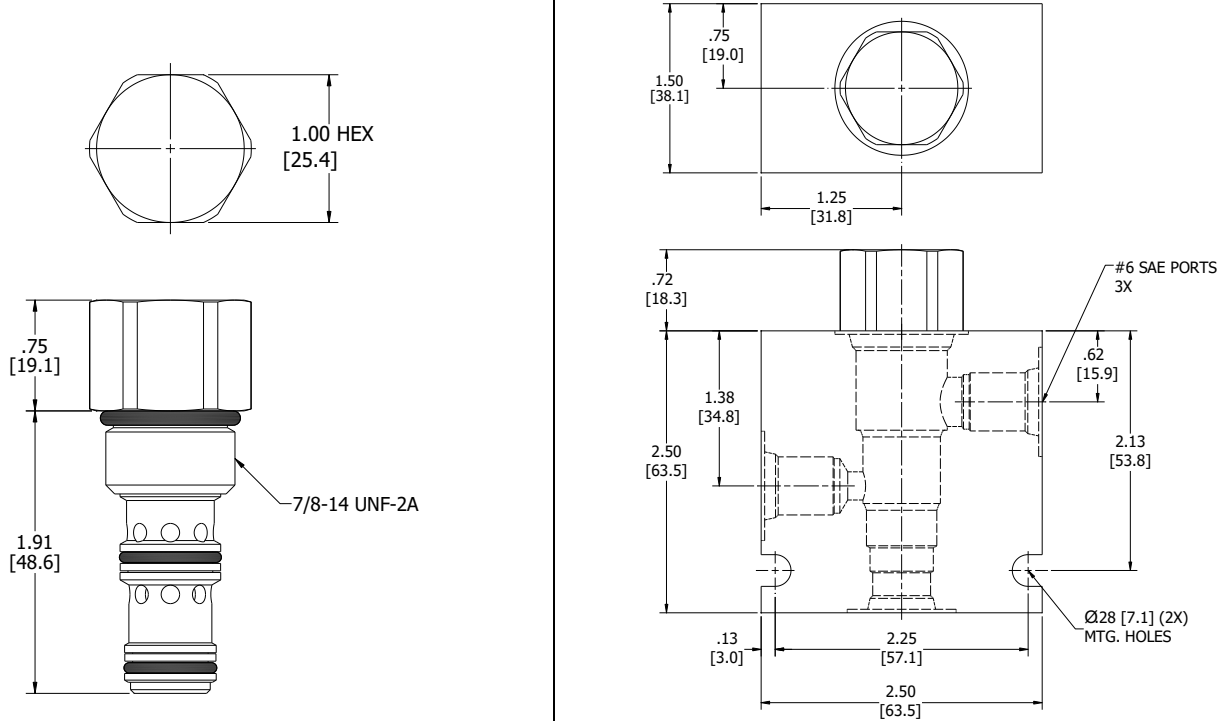
**PERFORMANCE**

Actual Test Data (Cartridge Only)


**VALVE SPECIFICATIONS**

Nominal Flow	10 GPM (38 LPM)
Rated Operating Pressure	4200 PSI (290 bar)
Typical Internal Leakage (150 SSU)	8 cu in/min (82 ml/min)
Viscosity Range	36 to 3000 SSU (3 to 647 cSt)
Filtration	ISO 18/16/13
Media Operating Temperature Range	-40° to 250° F (-40° to 120° C)
Weight	0.57 lbs. (0.26 kg)
Operating Fluid Media	General Purpose Hydraulic Fluid
Cartridge Torque Requirements	40 ft-lbs (54 Nm)
Cavity	<a href="#">DELTA 3W</a>
Cavity Form Tool (Finishing)	40500001
Seal Kit	21191206

**DIMENSIONS**



**ORDERING INFORMATION**

<b>HDF-PDE</b>		-	-	-	-
<b>OPTIONS</b>					<b>BODIES</b>
Buna Standard	<b>00</b>			Blank	Without Body
Viton Standard	<b>V0</b>			<b>N</b>	1/4 NPTF Ports
				<b>S</b>	#6 SAE Ports
				<b>PRESSURE SETTING</b>	
			<b>0050</b>	50 PSI	
			<b>0095</b>	95 PSI	
			<b>0165</b>	165 PSI	

**WARNING:** the specifications/application data shown in our catalogs and data sheets are intended only as a general guide for the product described (herein). Any specific application should not be undertaken without independent study, evaluation, and testing for suitability.