

**HDG-M4A** MANUAL SPOOL ROTARY VALVE, 4 WAY 2 POSITION, CRISS CROSS

**DESCRIPTION**

“High Pressure” 10 size, 7/8-14 thread, “Delta” series, manual rotary spool valve, 4 way 2 position, criss cross

**OPERATION**

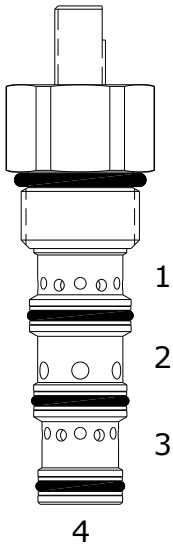
The HDG-M4A, when rotated fully to clockwise position, the cartridge directs flow between (2) to (3) and (1) to (4).

When rotated fully to counterclockwise position, the cartridge directs flow between (3) to (4) and (1) to (2).

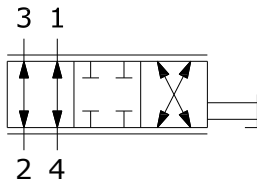
All ports are closed in transition.

**FEATURES**

- Hardened parts for long life.
- Industry common cavity.



**HYDRAULIC SYMBOL**

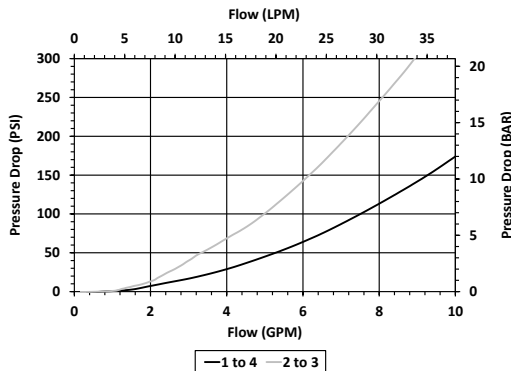
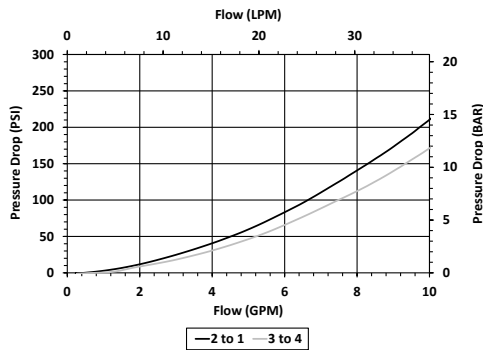


May be used as metering product. Valve has approximately 3.5 turns adjustment from extreme clockwise fully to counterclockwise positions. See charts for pressure drops in both fully stroked positions.

Typical rotational torque in operation is less than 4 Ft.-Lbs.

**PERFORMANCE**

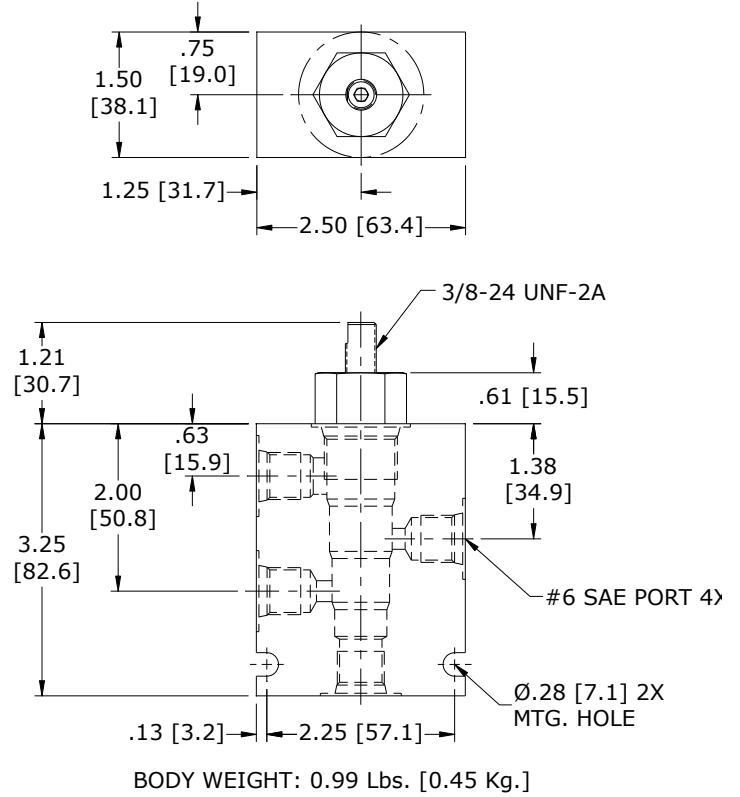
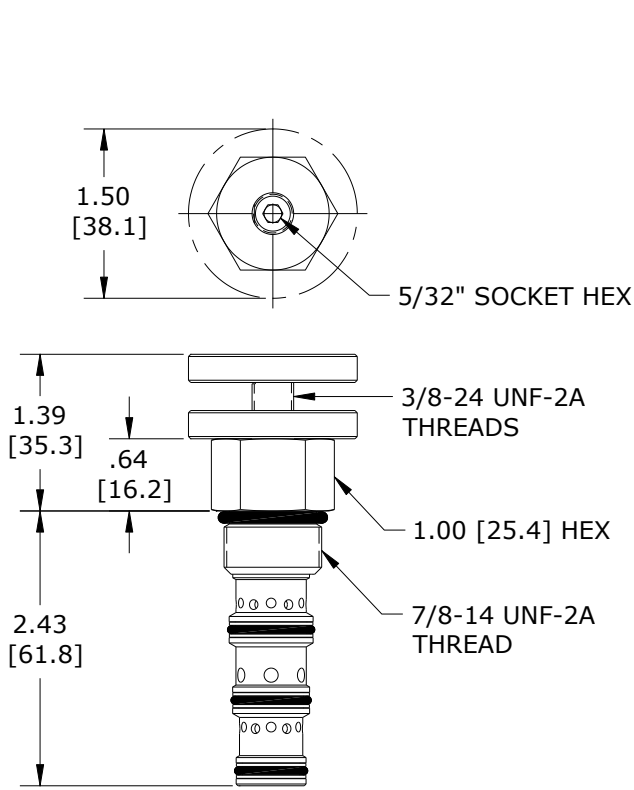
Actual Test Data (Cartridge Only)



**VALVE SPECIFICATIONS**

Nominal Flow	See performance curves
Rated Operating Pressure	4200 PSI (290 bar)
Typical Internal Leakage (150 SSU)	10 cu in/min (164 ml/min) per path
Viscosity Range	36 to 3000 SSU (3 to 647 cSt)
Filtration	ISO 18/16/13
Media Operating Temperature Range	-40° to 250° F (-40° to 120° C)
Weight	0.32 lbs. (0.15 kg)
Operating Fluid Media	General Purpose Hydraulic Fluid
Cartridge Torque Requirements	40 ft-lbs (54 Nm)
Cavity	<a href="#">DELTA 4W</a>
Cavity Form Tool (Finishing)	40500002
Seal Kit	21191214

**DIMENSIONS**



**ORDERING INFORMATION**

**HDG-M4A** - -

<b>OPTIONS</b>			<b>BODIES</b>
Buna Standard	00	Blank	Without Body
Viton Standard	V0	N	1/4 NPTF Ports
Buna, Knob	0K	S	#6 SAE Ports
Viton Knob	VK		

Note: Aluminum **NOT** durability rated for 4200 PSI. Consult factory for body options.

**WARNING:** the specifications/application data shown in our catalogs and data sheets are intended only as a general guide for the product described (herein). Any specific application should not be undertaken without independent study, evaluation, and testing for suitability.