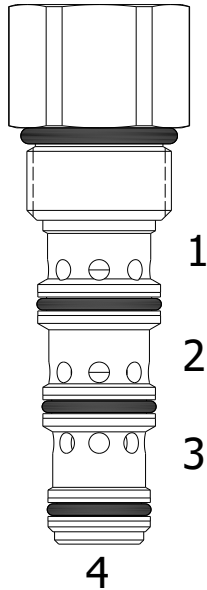


HDG-PDA PILOTED DIRECTIONAL VALVE, 4 WAY NORMALLY CLOSED

DESCRIPTION

"High Pressure" 10 size, 7/8-14 thread, "Delta" series, 4 way piloted directional valve.

OPERATION

The HDG-PDA in neutral (un-piloted), allows flow between (2) and (1) bi-directionally, while blocking at (3).

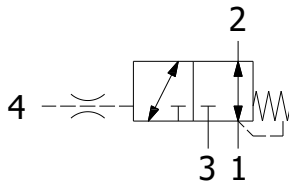
The spring chamber is constantly vented at (1).

On attainment of a predetermined pressure at (4), the cartridge redirects flow from (2) to (1), to (2) to (3).

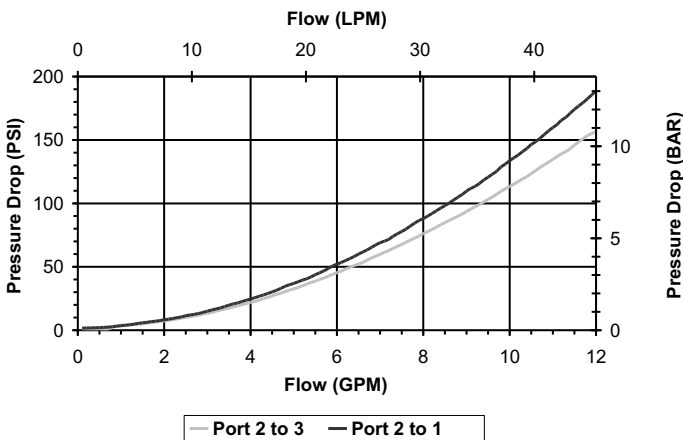
Note that the backpressure value at (1) must be added to the selected pressure setting to determine pilot pressure necessary to redirect flow of valve to second position.

FEATURES

- Hardened parts for long life.
- Industry common cavity.

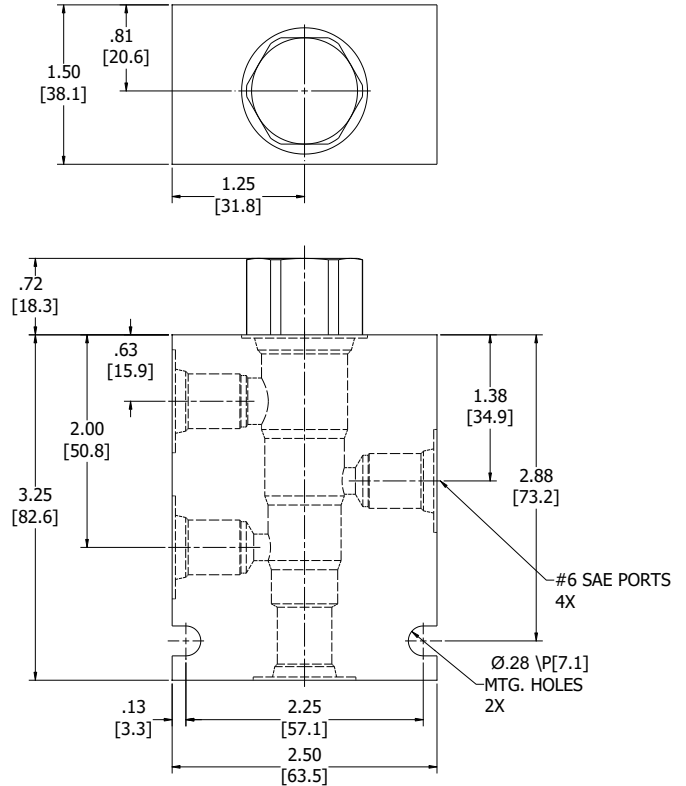
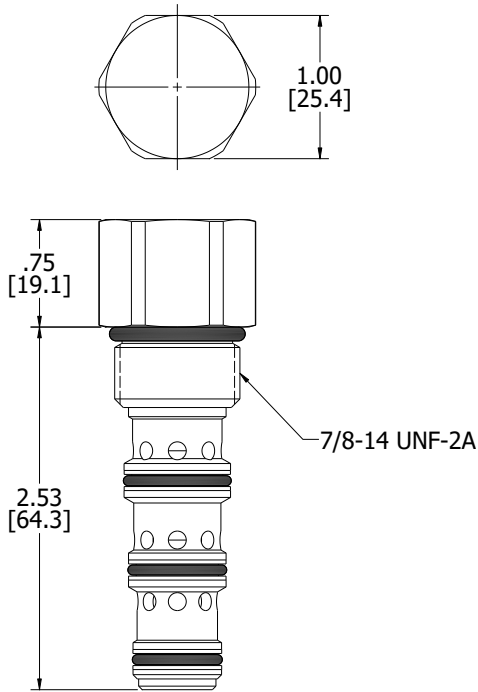
HYDRAULIC SYMBOL

PERFORMANCE

Actual Test Data (Cartridge Only)


VALVE SPECIFICATIONS

Nominal Flow	10 GPM (38 LTR/M)
Rated Operating Pressure	4200 PSI (290 bar)
Typical Internal Leakage (150 SSU)	8 cu in/min (82 ml/min)
Viscosity Range	36 to 3000 SSU (3 to 647 cSt)
Filtration	ISO 18/16/13
Media Operating Temperature Range	-40° to 250° F (-40° to 120° C)
Weight	0.63 lbs. (0.28 kg)
Operating Fluid Media	General Purpose Hydraulic Fluid
Cartridge Torque Requirements	40 ft-lbs (54 Nm)
Cavity	DELTA 4W
Cavity Form Tool (Finishing)	40500002
Seal Kit	21191214

DIMENSIONS



BODY WEIGHT: .99 Lbs. [0.45 kg.]

ORDERING INFORMATION

HDG-PDA		-	-	-	-
OPTIONS					
Buna Standard	00				
Viton Standard	V0				
					BODIES
				Blank	Without Body
				N	1/4 NPTF Ports
				S	#6 SAE Ports
					PRESSURE SETTINGS
			0040	40 PSI	
			0080	80 PSI	
			0160	160 PSI	

WARNING: the specifications/application data shown in our catalogs and data sheets are intended only as a general guide for the product described (herein). Any specific application should not be undertaken without independent study, evaluation, and testing for suitability.