

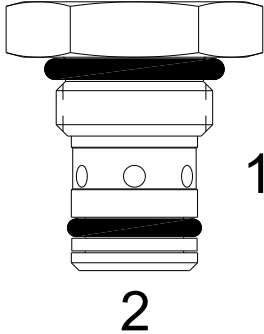
**HMA-CVA DIRECT ACTING CHECK VALVE, POPPET**
**DESCRIPTION**

"High Pressure" 7 size, 5/8-18 thread, "Mini" series, direct acting check valve.

**OPERATION**

The HMA-CVA allows flow passage from (2) to (1), while normally blocking oil flow from (1) to (2).

The cartridge has a fully guided poppet, which is spring-biased closed, until sufficient pressure is applied at (2) to open to (1).

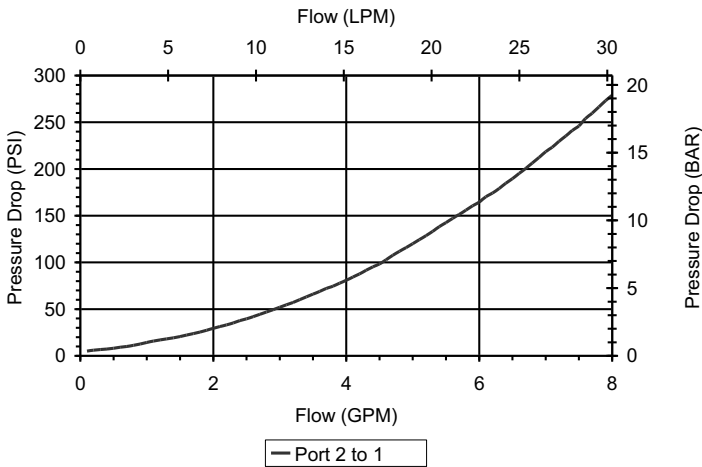

**1 FEATURES**

- Hardened parts for long life and low leakage.
- Optional bias springs for backpressure application flexibility.
- Fully guided poppet.
- Industry common cavity.

**HYDRAULIC SYMBOL**

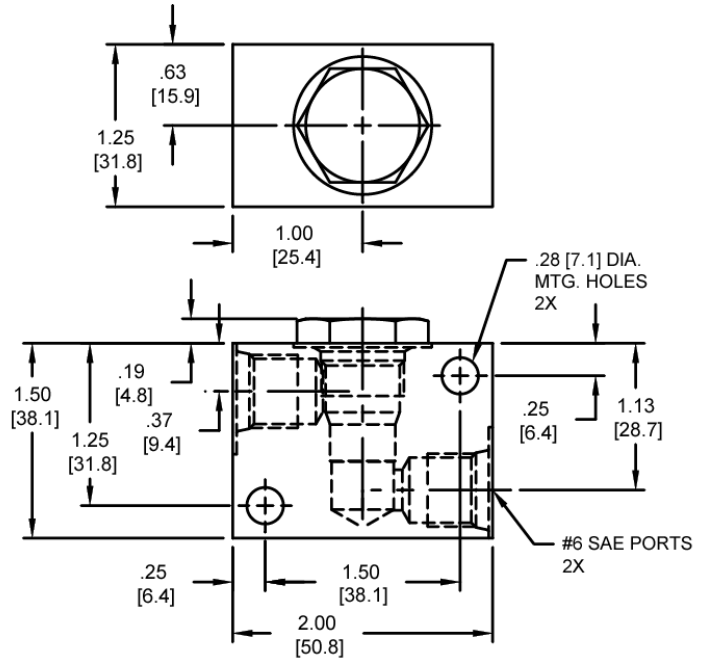
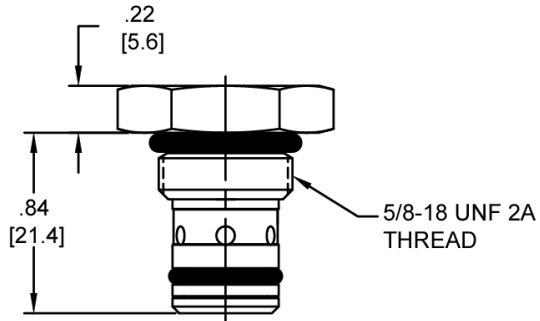
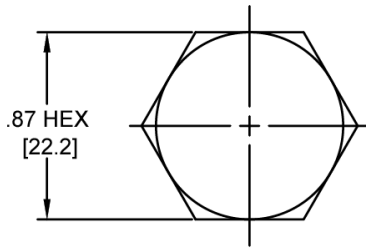
**PERFORMANCE**

Actual Test Data (Cartridge Only)


**VALVE SPECIFICATIONS**

Nominal Flow	5 GPM (19 LPM)
Rated Operating Pressure	4200 PSI (290 bar)
Typical Internal Leakage (150 SSU)	0-5 drops/min
Viscosity Range	36 to 3000 SSU (3 to 647 cSt)
Filtration	ISO 18/16/13
Media Operating Temperature Range	-40° to 250° F (-40° to 120° C)
Weight	08 lbs. (.03 kg)
Operating Fluid Media	General Purpose Hydraulic Fluid
Cartridge Torque Requirements	15 ft-lbs (20.3 Nm)
Cavity	<a href="#">MINI 2W</a>
Cavity Form Tool (Finishing)	40500003
Seal Kit	21191000

**DIMENSIONS**



**ORDERING INFORMATION**

**HMA-CVA** - - -

**OPTIONS**  
 Buna Standard **00**  
 Viton Standard **V0**

**BODIES**  
 Without Body  
**N** 1/4 NPTF Ports  
**S** #6 SAE Ports

**CRACK PRESSURE**

**0005** 5 PSI  
**0020** 20 PSI  
**0050** 50 PSI  
**0080** 80 PSI

Note: Aluminum **NOT** durability rated for 4200 PSI. Consult factory for body options.

**WARNING:** the specifications/application data shown in our catalogs and data sheets are intended only as a general guide for the product described (herein). Any specific application should not be undertaken without independent study, evaluation, and testing for suitability.