

HN071-CSB INLINE SHUTTLE VALVE

DESCRIPTION

Special cavity, high pressure, insert type, shuttle valve.

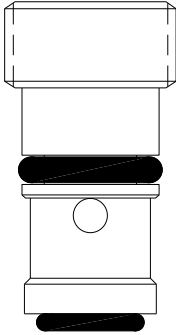
OPERATION

The HN071-CSB allows flow from the higher pressure of (1) or (3) to (2).

HN071-CSB is an insert type valve, the cavity must be plugged with an M10x1.0 or if countersunk, larger plug.

The valve is commonly used as a load sense to direct oil from the pressure side of a bidirectional hydraulic motor to a pressure released hydraulic brake.

1



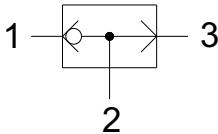
2

FEATURES

- Hardened parts for long life.

3

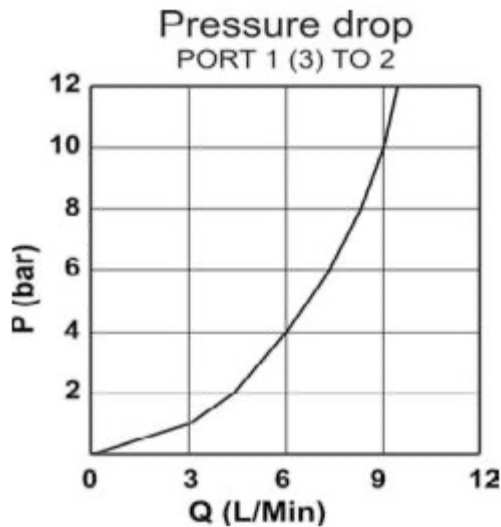
HYDRAULIC SYMBOL



Tangency connections to cavity are not recommended.
Inlet to port (2) is not recommended.
Do not use orifice disk under cartridge valve.

PERFORMANCE

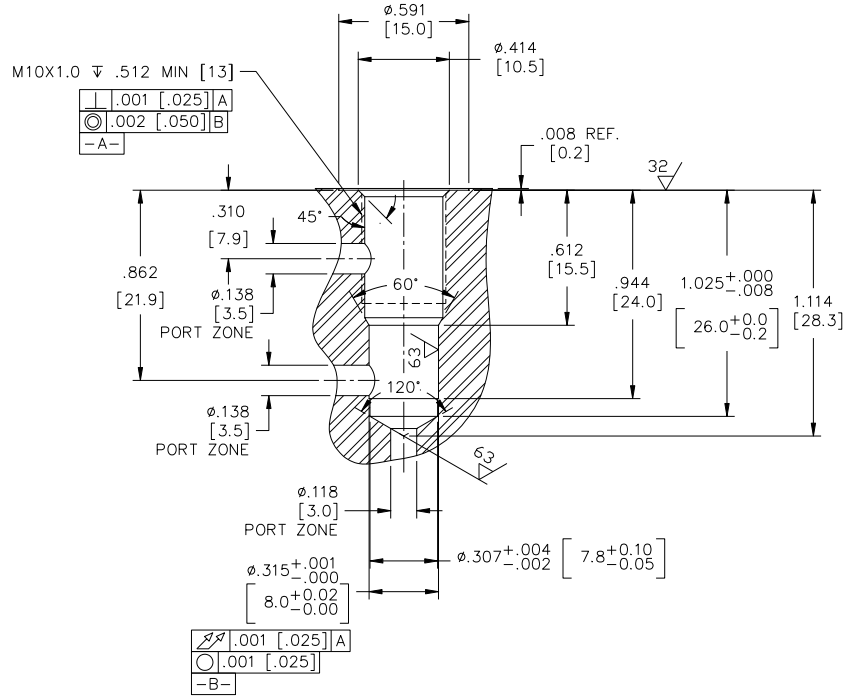
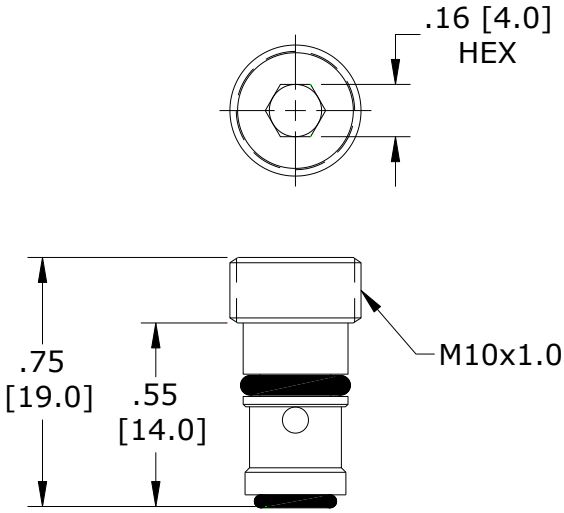
Actual Test Data (Cartridge Only)



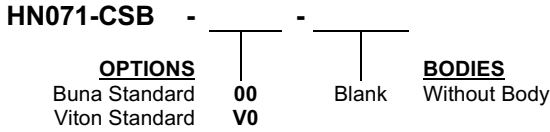
VALVE SPECIFICATIONS

Nominal Flow	1 GPM (4 LPM)
Rated Operating Pressure	4200 PSI (290 bar)
Typical Internal Leakage (150 SSU)	1 cu in/min (16 ml/min)
Viscosity Range	36 to 3000 SSU (3 to 647 cSt)
Filtration	ISO 18/16/13
Media Operating Temperature Range	-40° to 250° F (-40° to 120° C)
Weight	0.20 oz. (5.6 g)
Operating Fluid Media	General Purpose Hydraulic Fluid
Cartridge Torque Requirements	8 ft-lbs (11 Nm)
Cavity	4020071
Seal Kit	21170123

DIMENSIONS



ORDERING INFORMATION



WARNING: the specifications/application data shown in our catalogs and data sheets are intended only as a general guide for the product described (herein). Any specific application should not be undertaken without independent study, evaluation, and testing for suitability.