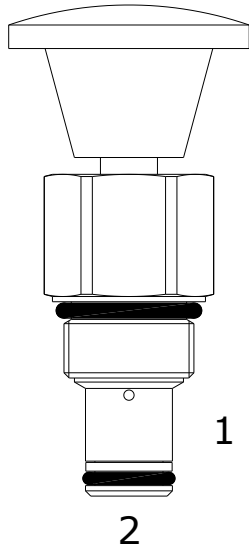


HPB-MCP 2 WAY MANUAL VALVE, NORMALLY CLOSED, PUSH TYPE
DESCRIPTION

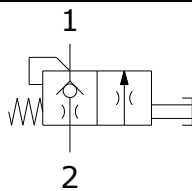
8 size, 3/4-16 thread, "Power" series, manual valve, 2 way normally closed, push type.

OPERATION

The HPB-MCP blocks flow from (2) to (1) until an operator pushes the knob in allowing pressure at port #2 to drop to port #1 pressure.


FEATURES

- Hardened parts for long life.
- Industry common cavity.

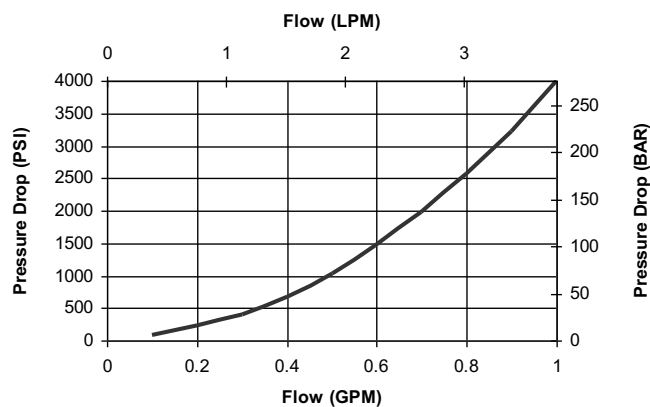
HYDRAULIC SYMBOL


Good as a pilot dump valve.

Port #1 should be limited to < 500 PSI to allow actuation (50 lbs), Port #2 actuation load at 4200 PSI (55 lbs).

PERFORMANCE

Actual Test Data (Cartridge Only)

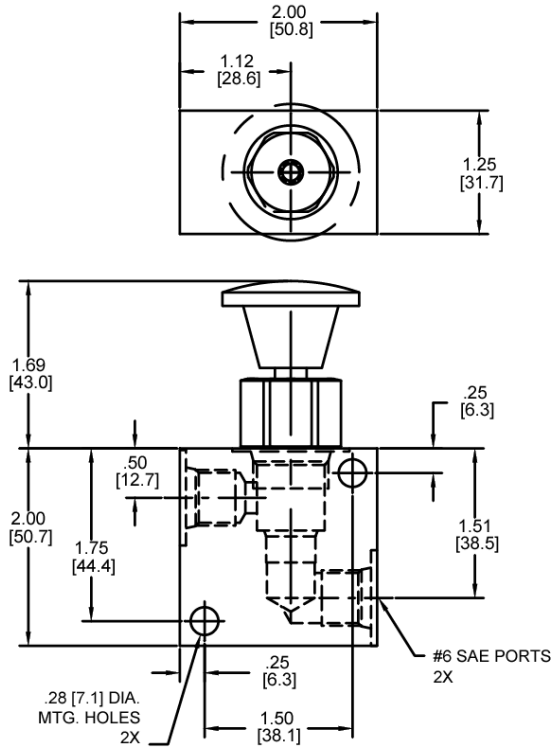
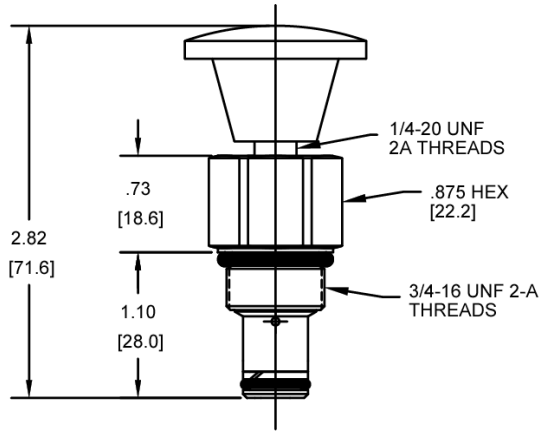


- Port 2 to 1

VALVE SPECIFICATIONS

Nominal Flow	1 GPM (4 LPM)
Max. Operating Pressure	4200 PSI (291 bar)
Typical Internal Leakage (150 SSU)	Negligible
Viscosity Range	36 to 3000 SSU (3 to 647 cSt)
Filtration	ISO 18/16/13
Media Operating Temperature Range	32° to 160° F (0° to 70° C)
Weight	.14 lbs. (.06 kg)
Operating Fluid Media	General Purpose Hydraulic Fluid
Cartridge Torque Requirements	25 ft-lbs (34 Nm)
Cavity	POWER 2W
Cavity Form Tool (Finishing)	40500005
Seal Kit	21191100

DIMENSIONS



BODY WEIGHT: .39lbs [.18kg]

ORDERING INFORMATION

HPB-MCP - - -

OPTIONS			
Buna, Knob	OK		Blank
Viton, Knob	VK		N
			S

BODIES
Without Body
1/4 NPTF Ports
#6 SAE Ports

WARNING: the specifications/application data shown in our catalogs and data sheets are intended only as a general guide for the product described (herein). Any specific application should not be undertaken without independent study, evaluation, and testing for suitability.