

**HSJ-CVA DIRECT ACTING CHECK VALVE, POPPET**
**DESCRIPTION**

"High Pressure" 16 size, 1 5/16-12 thread, "Sixteen" series, direct acting check valve.

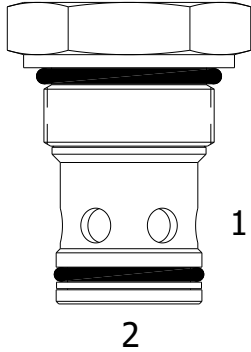
**OPERATION**

The HSJ-CVA allows free flow from (2) to (1) and blocks flow from (1) to (2).

The cartridge has a fully guided poppet, which is spring-biased closed, until sufficient pressure is applied at (2) to open to (1).

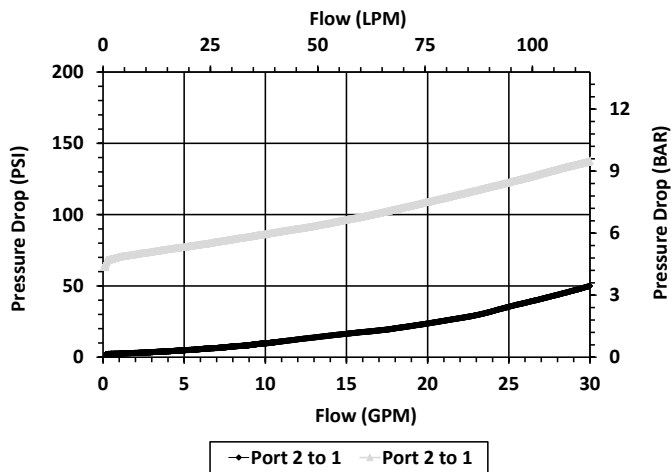
**FEATURES**

- Hardened parts for long life and low leakage.
- Industry common cavity.
- Optional bias springs for backpressure application flexibility.


**HYDRAULIC SYMBOL**

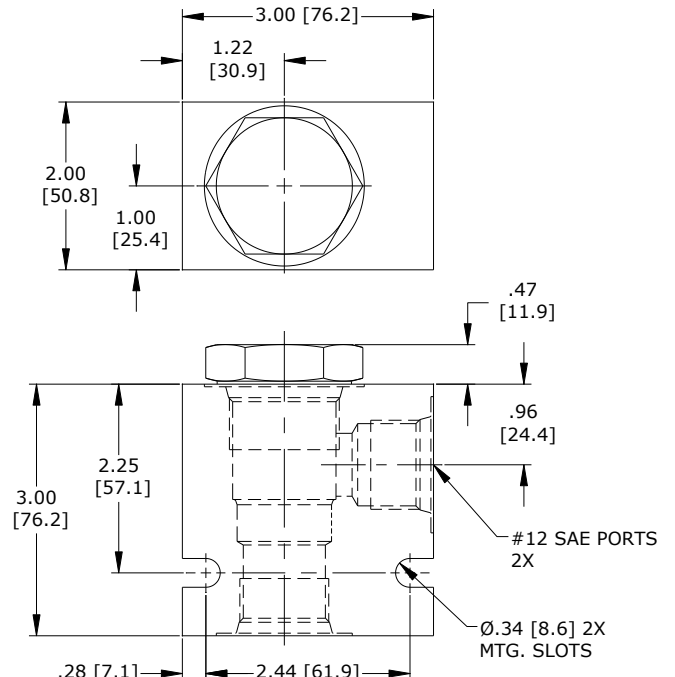
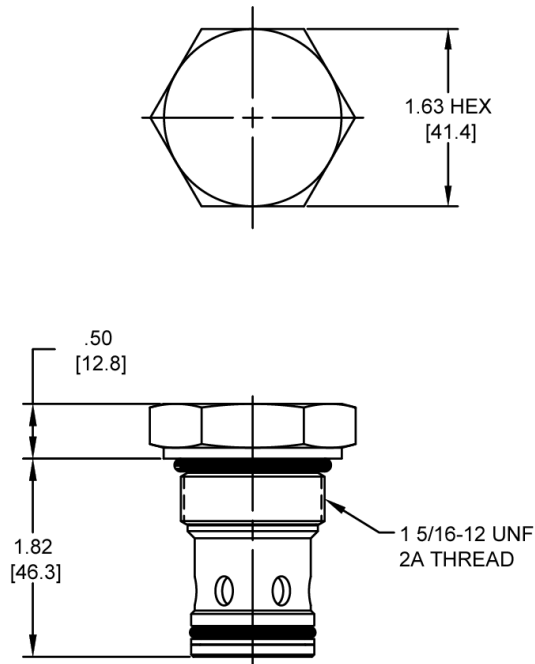
**PERFORMANCE**

Actual Test Data (Cartridge Only)


**VALVE SPECIFICATIONS**

Nominal Flow	35 GPM (132 LPM)
Rated Operating Pressure	4200 PSI (290 bar)
Typical Internal Leakage (150 SSU)	0-5 drops/min
Viscosity Range	36 to 3000 SSU (3 to 647 cSt)
Filtration	ISO 18/16/13
Media Operating Temperature Range	-40° to 250° F (-40° to 120° C)
Weight	0.67 lbs. (0.30 kg)
Operating Fluid Media	General Purpose Hydraulic Fluid
Cartridge Torque Requirements	115 ft-lbs (156 Nm)
Cavity	<b>SIXTEEN 2W</b>
Cavity Form Tool (Finishing)	40500017
Seal Kit	21191400

**DIMENSIONS**



BODY WEIGHT: 1.29 Lbs. [0.58 Kg]

**ORDERING INFORMATION**

**HSJ-CVA** - - -

**OPTIONS**

Buna Standard **00**  
 Viton Standard **V0**

Blank **N**  
**S**

**BODIES**

Without Body  
 3/4 NPTF Ports  
 #12 SAE Ports

**CRACK PRESSURE**

**0005** 5 PSI  
**0010** 10 PSI  
**0030** 30 PSI  
**0050** 50 PSI  
**0065** 65 PSI  
 ±15%

**WARNING:** the specifications/application data shown in our catalogs and data sheets are intended only as a general guide for the product described (herein). Any specific application should not be undertaken without independent study, evaluation, and testing for suitability.