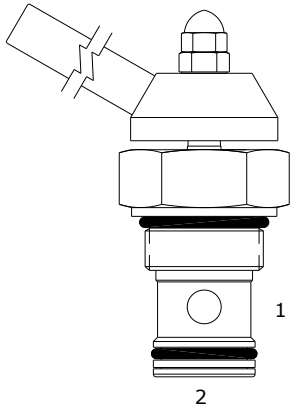


HSJ-MRA MANUAL ROTARY SPOOL VALVE, 2 WAY
DESCRIPTION

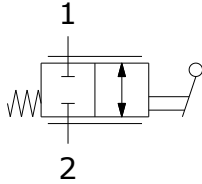
"High Pressure" 16 size, 1 5/16-12, "Sixteen" series, manual rotary spool valve.

OPERATION

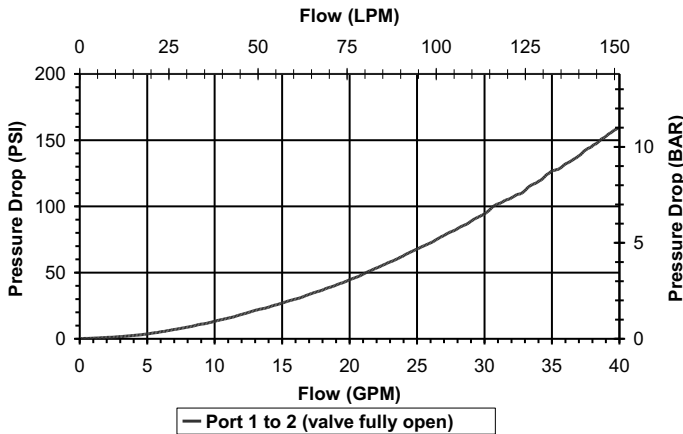
The HSJ-MRA regulates flow from (1) to (2) or (2) to (1). Counter-clockwise Rotation of 90° adjusts valve from fully open to fully closed.


FEATURES

- Hardened parts for long life.
- Industry common cavity.

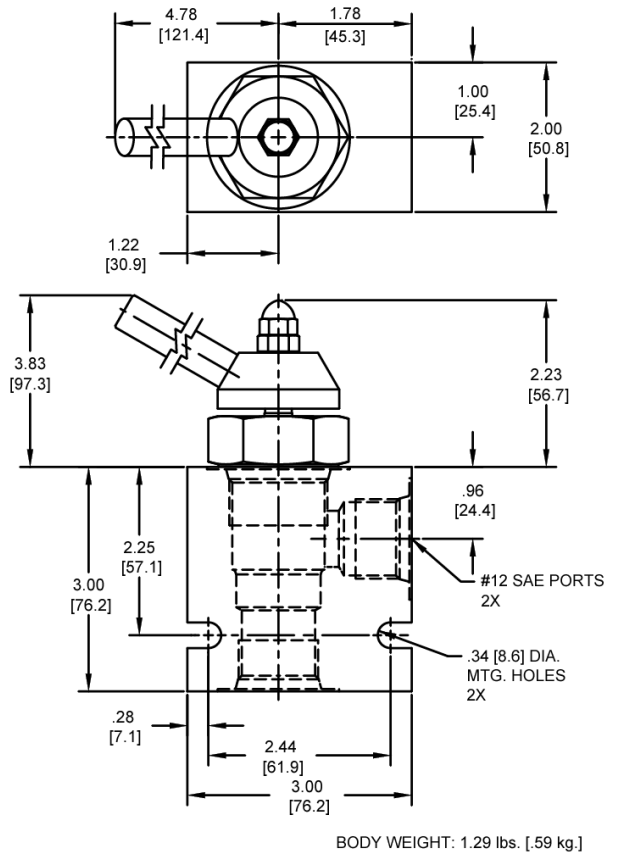
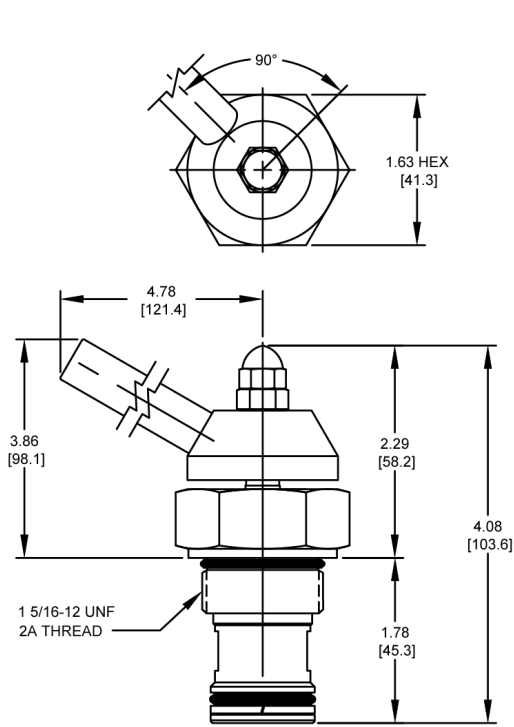
HYDRAULIC SYMBOL

PERFORMANCE

Actual Test Data (Cartridge Only)


VALVE SPECIFICATIONS

Nominal Flow	40 GPM (151 LPM)
Rated Operating Pressure	Port 1 to 2: 4200 PSI (290 bar) Port 2 to 1: 3500 PSI (241 bar)
Typical Internal Leakage (150 SSU)	15 cu in/min (246 ml/min)
Viscosity Range	36 to 3000 SSU (3 to 647 cSt)
Filtration	ISO 18/16/13
Media Operating Temperature Range	-40° to 250° F (-40° to 120° C)
Weight	1.13 lbs. (0.51 kg)
Operating Fluid Media	General Purpose Hydraulic Fluid
Cartridge Torque Requirements	115 ft-lbs (156 Nm)
Cavity	SIXTEEN 2W
Cavity Form Tool (Finishing)	40500017
Seal Kit	21191402

DIMENSIONS



ORDERING INFORMATION

HSJ-MRA		-	-	
OPTIONS				BODIES
Buna Standard	00		Blank	Without Body
Viton Standard	V0		N	3/4 NPTF Ports
			S	#12 SAE Ports

Note: Aluminum **NOT** durability rated for 4200 PSI. Consult factory for body options.

WARNING: the specifications/application data shown in our catalogs and data sheets are intended only as a general guide for the product described (herein). Any specific application should not be undertaken without independent study, evaluation, and testing for suitability.