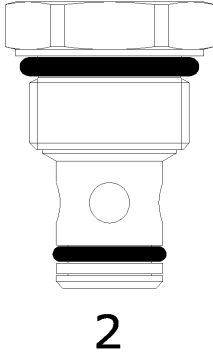


**PB-CVC DIRECT ACTING CHECK VALVE, GUIDED BALL**

**DESCRIPTION**

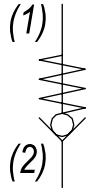
8 size, 3/4-16 thread, "Power" series, direct acting check valve.

**OPERATION**

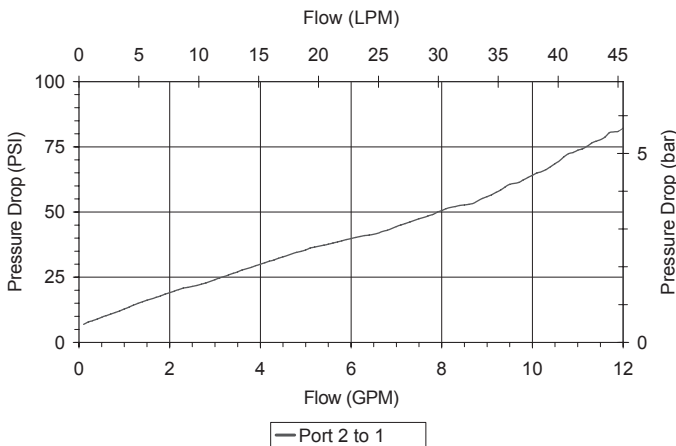
The PB-CVC allows free flow passage from (2) to (1), and blocks flow from (1) to (2). The cartridge has a fully guided hardened ball, which is spring-biased closed, until sufficient pressure is applied at (2) to open to (1).

**FEATURES**

- Hardened parts for long life and low leakage.
- Optional bias springs for backpressure application flexibility.
- Fully guided ball assembly.
- Industry common cavity.

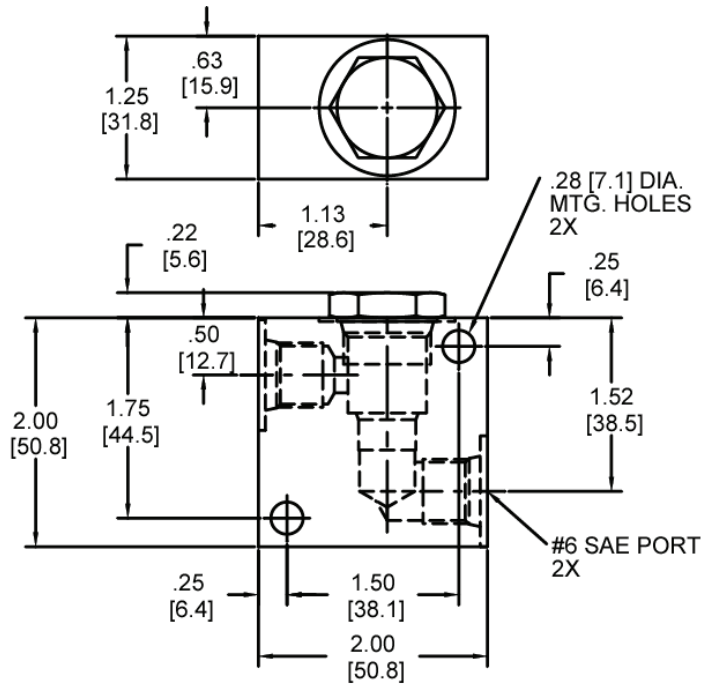
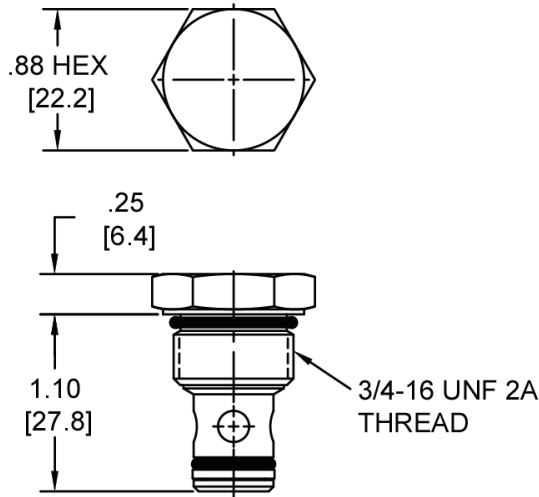
**HYDRAULIC SYMBOL**

**PERFORMANCE**

Actual Test Data (Cartridge Only)


**VALVE SPECIFICATIONS**

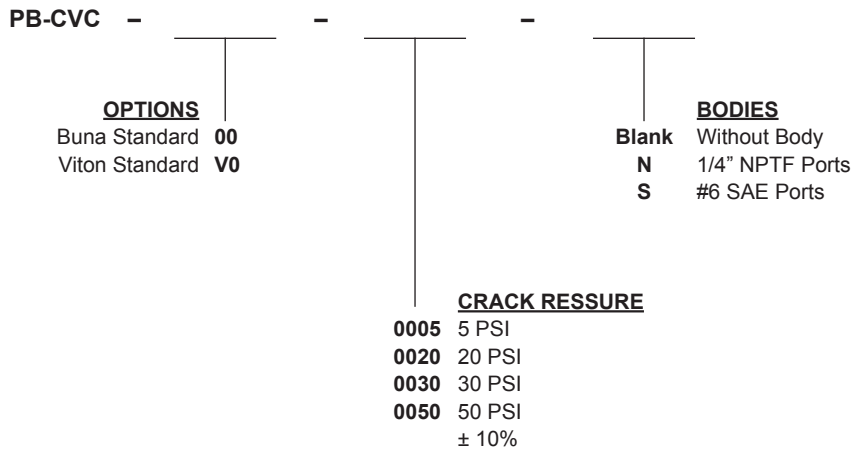
Nominal Flow	10 GPM (38 LPM)
Rated Operating Pressure	3500 PSI (241 bar)
Typical Internal Leakage (150 SSU)	0-5 drops/min
Viscosity Range	36 to 3000 SSU (3 to 647 cSt)
Filtration	ISO 18/16/13
Media Operating Temp. Range	-40° to 250°F (-40° to 120°C)
Weight	.10 lbs (.05 kg)
Operating Fluid Media	General Purpose Hydraulic Fluid
Cartridge Torque Requirements	25 ft-lbs (34 Nm)
Cavity	POWER 2W
Cavity Form Tool (Finishing)	40500005
Seal Kit	21191100

**DIMENSIONS**



Body Weight: .39 lbs (.18 kg)

**ORDERING INFORMATION**



**WARNING:** the specifications/application data shown in our catalogs and data sheets are intended only as a general guide for the product described (herein). Any specific application should not be undertaken without independent study, evaluation, and testing for suitability.