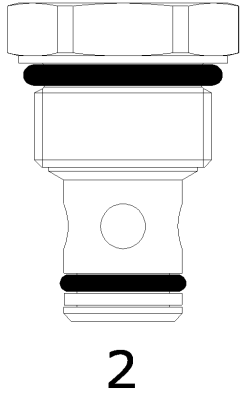


PB-CVS DIRECT ACTING CHECK VALVE, SOFT SEAT, POPPET

DESCRIPTION

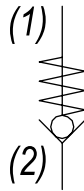
8 size, 3/4-16 thread, "Power" series, direct acting check valve, soft seat, poppet.

OPERATION

The PB-CVS allows free flow passage from (2) to (1), and blocks flow from (1) to (2). The cartridge has a fully guided poppet, which is spring-biased closed, until sufficient pressure is applied at (2) to open to (1).

1 FEATURES

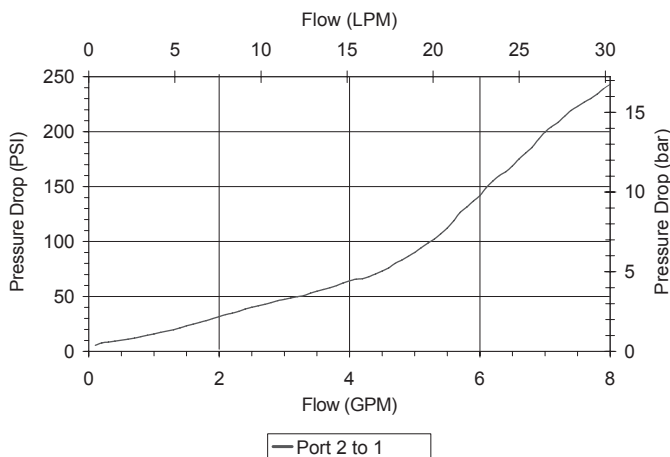
- Soft seat for ultra low leakage.
- Optional bias springs for backpressure application flexibility.
- Fully guided poppet assembly.
- Industry common cavity.

2
HYDRAULIC SYMBOL


Drop-in Pilot Pistons are NOT RECOMMENDED for this valve.

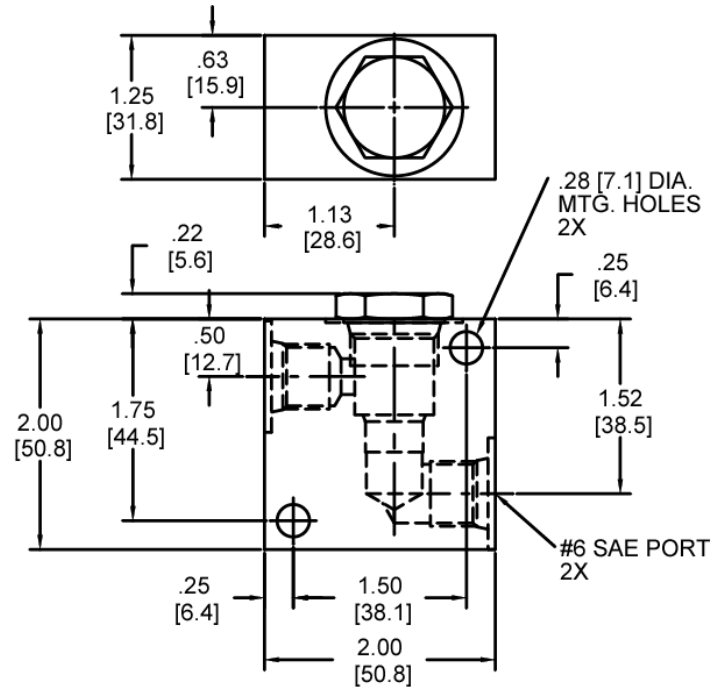
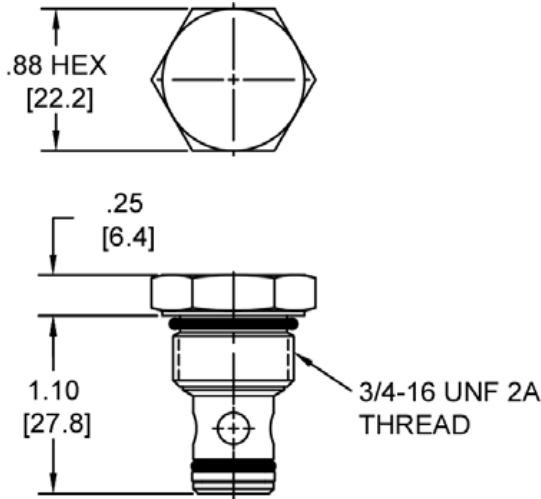
PERFORMANCE

Actual Test Data (Cartridge Only)


VALVE SPECIFICATIONS

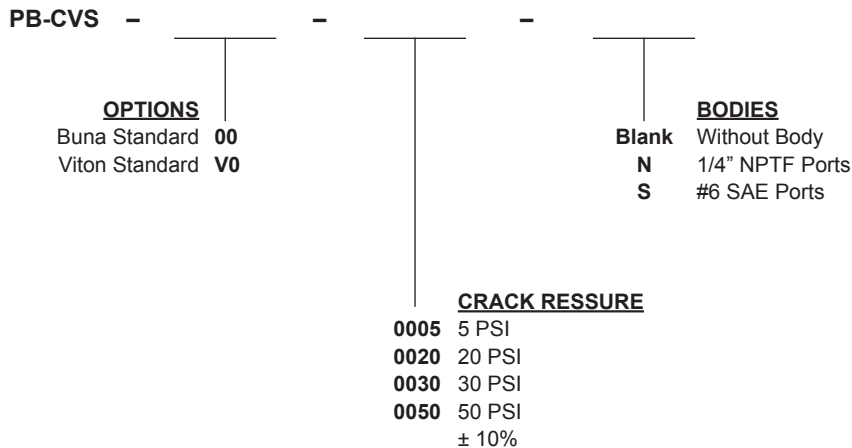
Nominal Flow	5 GPM (19 LPM)
Rated Operating Pressure	3500 PSI (241 bar)
Typical Internal Leakage (150 SSU)	Negligible
Viscosity Range	36 to 3000 SSU (3 to 647 cSt)
Filtration	ISO 18/16/13
Media Operating Temp. Range	-32° to 120°F (0° to 49°C)
Weight	.09 lbs (.04 kg)
Operating Fluid Media	General Purpose Hydraulic Fluid
Cartridge Torque Requirements	25 ft-lbs (34 Nm)
Cavity	POWER 2W
Cavity Form Tool (Finishing)	40500005
Seal Kit	21191100

DIMENSIONS



Body Weight: .39 lbs (.18 kg)

ORDERING INFORMATION



WARNING: the specifications/application data shown in our catalogs and data sheets are intended only as a general guide for the product described (herein). Any specific application should not be undertaken without independent study, evaluation, and testing for suitability.