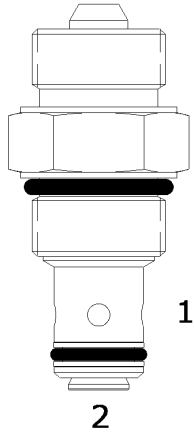


PB-MCI MANUAL POPPET VALVE, 2 WAY NORMALLY CLOSED, PUSH TYPE

DESCRIPTION

8 size, 3/4-16 thread, "Power" series, manual poppet, 2 way normally closed, push type valve.

OPERATION

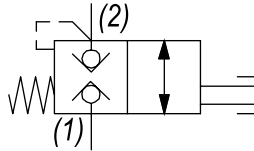
The PB-MCI blocks flow from (2) to (1) until sufficient force is applied to button to overcome spring bias and load force.

Actuation Force Required	
No Pressure	7 lbs
Side Pressure	$7 + (P1 \times .009)$
Nose Pressure	$7 + (P1 \times .076)$

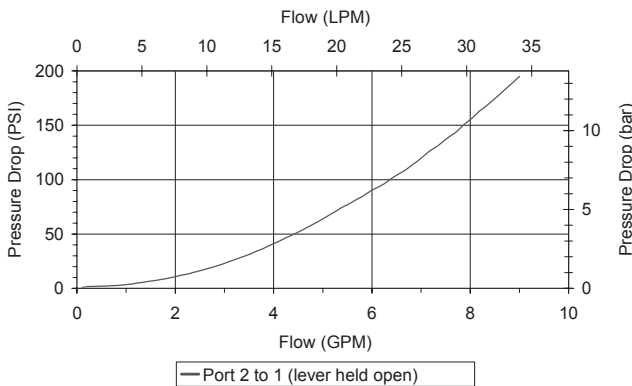
Note: (\varnothing .437) cavity predrill depth must be 1.312 minimum from spotface.

FEATURES

- Hardened parts for long life.
- Industry common cavity.

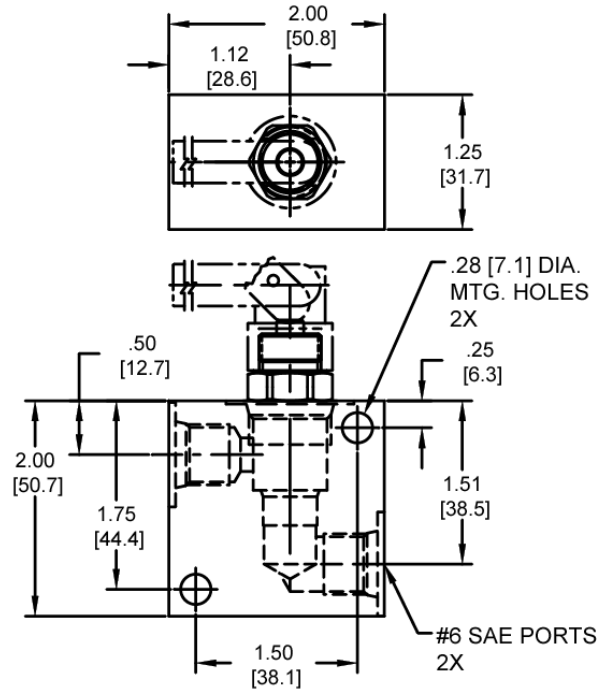
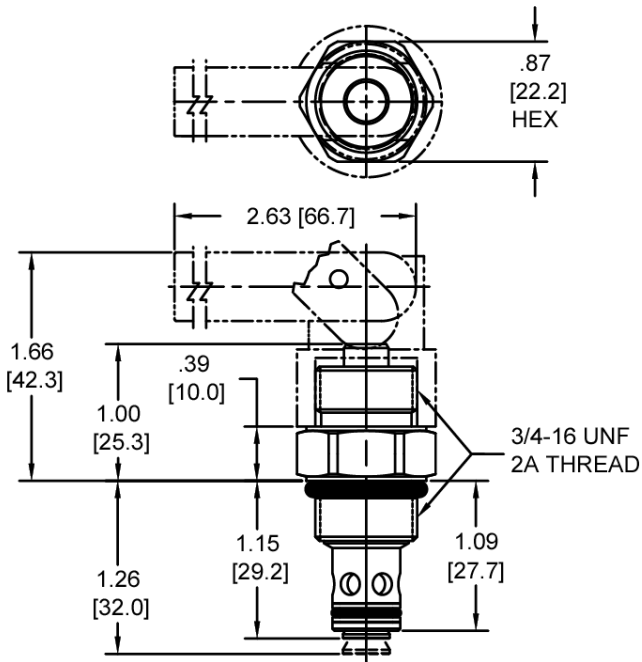
HYDRAULIC SYMBOL

PERFORMANCE

Actual Test Data (Cartridge Only)


VALVE SPECIFICATIONS

Nominal Flow	8 GPM (30 LPM)
Rated Operating Pressure	3500 PSI (241 bar)
Typical Internal Leakage (150 SSU)	Consult Factory
Viscosity Range	36 to 3000 SSU (3 to 647 cSt)
Filtration	ISO 18/16/13
Media Operating Temp. Range	-40° to 250°F (-40° to 120°C)
Weight	.26 lbs (.12 kg)
Operating Fluid Media	General Purpose Hydraulic Fluid
Cartridge Torque Requirements	25 ft-lbs (34 Nm)
Cavity	POWER 2W
Cavity Form Tool (Finishing)	40500005
Seal Kit	21191102

DIMENSIONS



Body Weight: .39 lbs (.18 kg)

ORDERING INFORMATION

PB-MCI	-	-	-
	OPTIONS		BODIES
	Buna Standard	00	Blank Without Body
	Viton Standard	V0	N 1/4" NPTF Ports
	Buna, Screen	A0	S #6 SAE Ports
	Viton, Screen	W0	
	Buna, Lever	0L	
	Viton, Lever	VL	
	Buna, Screen, Lever	AL	
	Viton, Screen, Lever	WL	

Note: use screen only if flow direction is from (1) to (2).

WARNING: the specifications/application data shown in our catalogs and data sheets are intended only as a general guide for the product described (herein). Any specific application should not be undertaken without independent study, evaluation, and testing for suitability.