

PP-CPB PILOT OPERATED CHECK VALVE, GUIDED BALL
DESCRIPTION

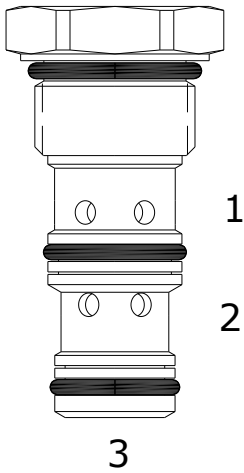
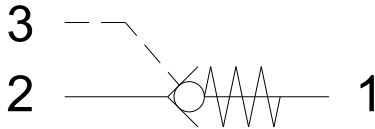
8 size, 3/4-16 thread, "Power" series, pilot operated, ball check valve.

OPERATION

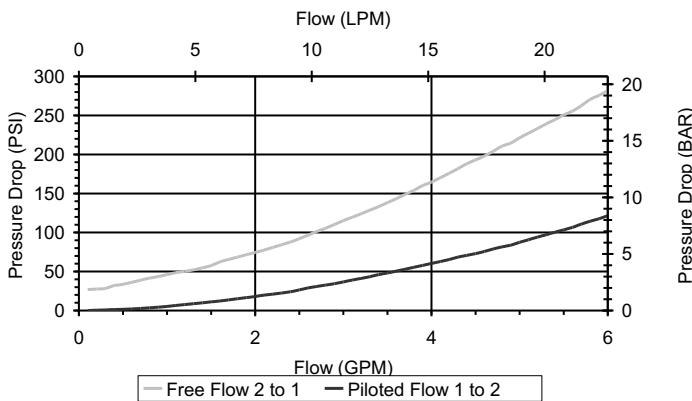
The PP-CPB allows free flow to pass from (2) to (1) and blocks flow from (1) to (2). When pilot pressure is applied to port (3) the valve allows free flow from (1) to (2).

FEATURES

- Hardened parts for long life.
- Industry common cavity.

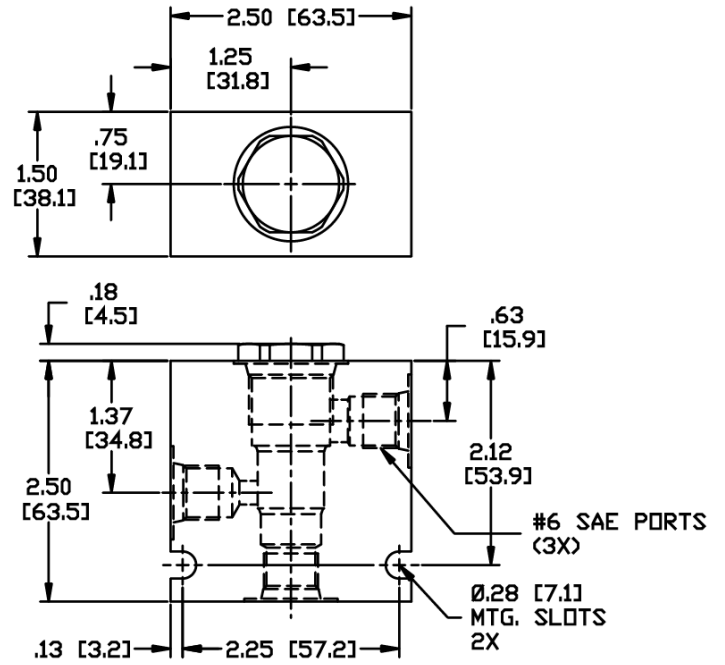
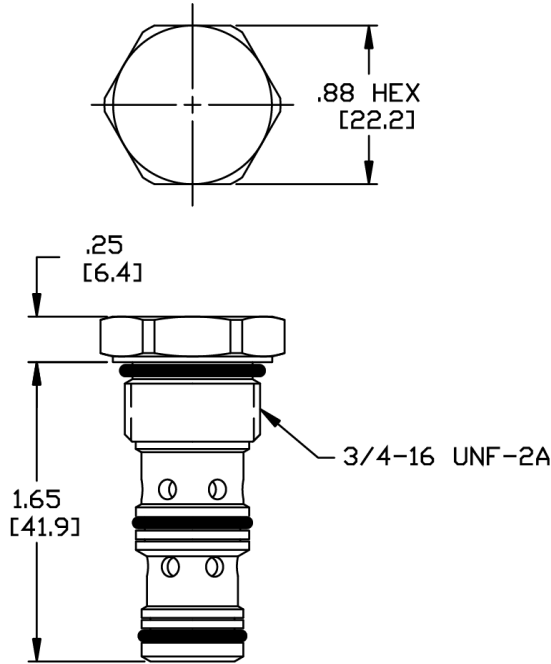

HYDRAULIC SYMBOL

PERFORMANCE

Actual Test Data (Cartridge Only)


VALVE SPECIFICATIONS

Nominal Flow	6 GPM (23 LPM) 1 to 2 4 GPM (15 LPM) 2 to 1
Rated Operating Pressure	3500 PSI (241 bar)
Typical Internal Leakage (150 SSU)	0-5 drops/min
Pilot Ratio	4:1
Viscosity Range	36 to 3000 SSU (3 to 647 cSt)
Filtration	ISO 18/16/13
Media Operating Temperature Range	-40° to 250° F (-40° to 120° C)
Weight	.14 lbs. (.06 kg)
Operating Fluid Media	General Purpose Hydraulic Fluid
Cartridge Torque Requirements	25 ft-lbs (34 Nm)
Cavity	POWER 3W
Cavity Form Tool (Finishing)	40500024
Seal Kit	21191108

DIMENSIONS



ORDERING INFORMATION

PP-CPB - - - -

<u>OPTIONS</u>	
Buna Standard	00
Viton Standard	V0
Buna, Sealed Piston	0B
Viton, Sealed Piston	VB

<u>BODIES</u>	
Blank	Without Body
N	1/4 NPTF Ports
S	#6 SAE Ports

<u>CRACK PRESSURE</u>	
0025	25 PSI
0060	60 PSI
0095	95 PSI
	±10%

*** SEALED PISTON ONLY AVAILABLE WITH 60 PSI & 95 PSI OPTIONS**

WARNING: the specifications/application data shown in our catalogs and data sheets are intended only as a general guide for the product described (herein). Any specific application should not be undertaken without independent study, evaluation, and testing for suitability.