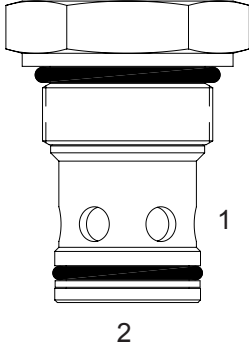


SJ-CVA DIRECT ACTING CHECK VALVE, POPPET

DESCRIPTION

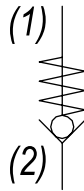
16 size, 1 5/16-12 thread, "SIXTEEN" series, direct acting check valve.

OPERATION

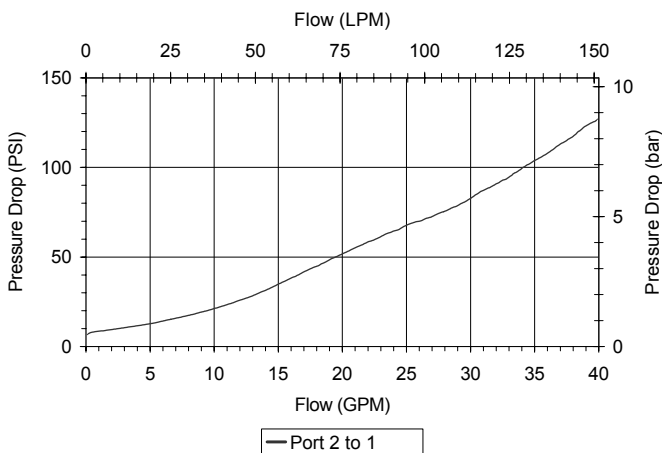
The SJ-CVA allows free flow from (2) to (1) and blocks flow from (1) to (2). The cartridge has a fully guided poppet, which is spring-biased closed, until sufficient pressure is applied at (2) to open to (1).

FEATURES

- Hardened parts for long life and low leakage.
- Industry common cavity.
- Optional bias springs for backpressure application flexibility.

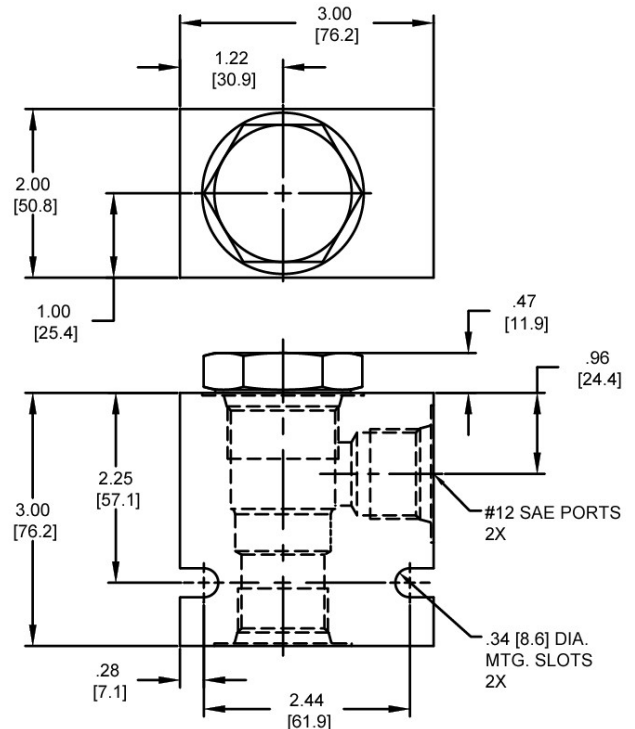
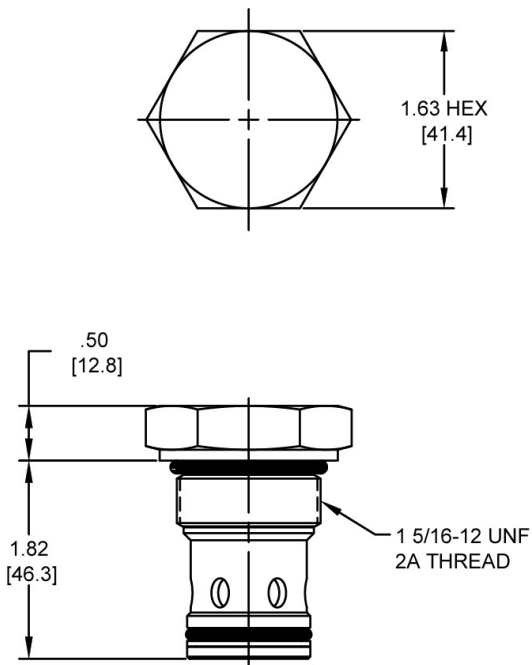
HYDRAULIC SYMBOL

PERFORMANCE

Actual Test Data (Cartridge Only)


VALVE SPECIFICATIONS

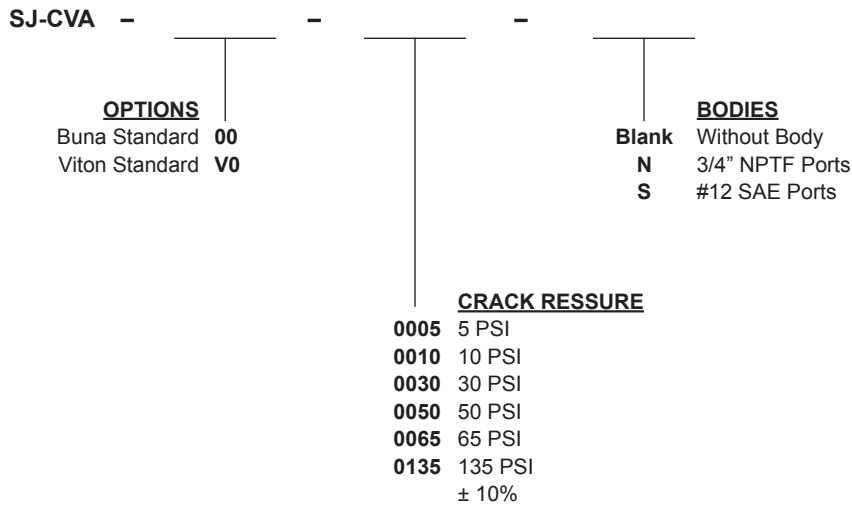
Nominal Flow	40 GPM (151 LPM)
Rated Operating Pressure	3500 PSI (241 bar)
Typical Internal Leakage (150 SSU)	0-5 drops/min
Viscosity Range	36 to 3000 SSU (3 to 647 cSt)
Filtration	ISO 18/16/13
Media Operating Temp. Range	-40° to 250°F (-40° to 120°C)
Weight	.67 lbs (.30 kg)
Operating Fluid Media	General Purpose Hydraulic Fluid
Cartridge Torque Requirements	90 ft-lbs (122 Nm)
Cavity	SIXTEEN 2W
Cavity Form Tool (Finishing)	40500017
Seal Kit	21191400

DIMENSIONS



Body Weight: 1.29 lbs (.58 kg)

ORDERING INFORMATION



WARNING: the specifications/application data shown in our catalogs and data sheets are intended only as a general guide for the product described (herein). Any specific application should not be undertaken without independent study, evaluation, and testing for suitability.