

SJ-MRA MANUAL ROTARY SPOOL VALVE, 2 WAY
DESCRIPTION

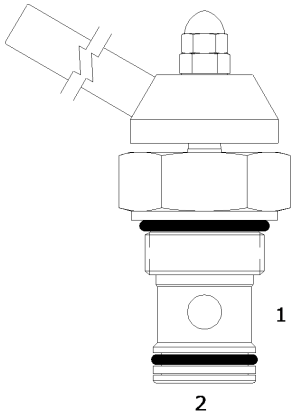
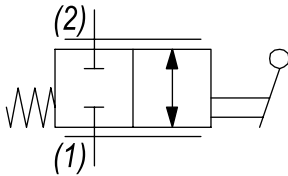
16 size, 1 5/16-12, "SIXTEEN" series, manual rotary spool valve.

OPERATION

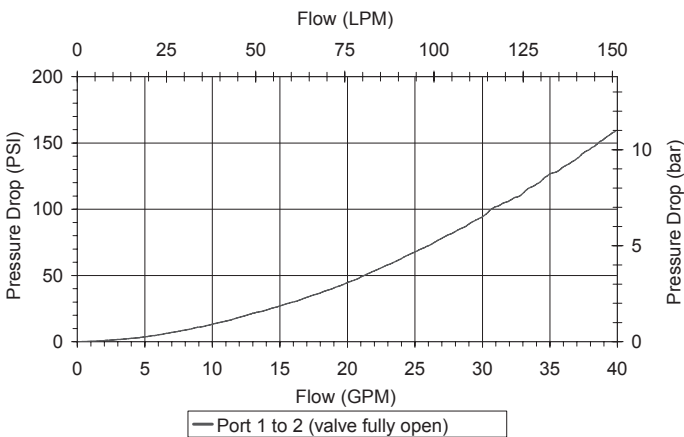
The SJ-MRA regulates flow from (1) to (2) or (2) to (1). Counter-clockwise Rotation of 90° adjusts valve from fully closed to fully open.

FEATURES

- Hardened parts for long life.
- Industry common cavity.

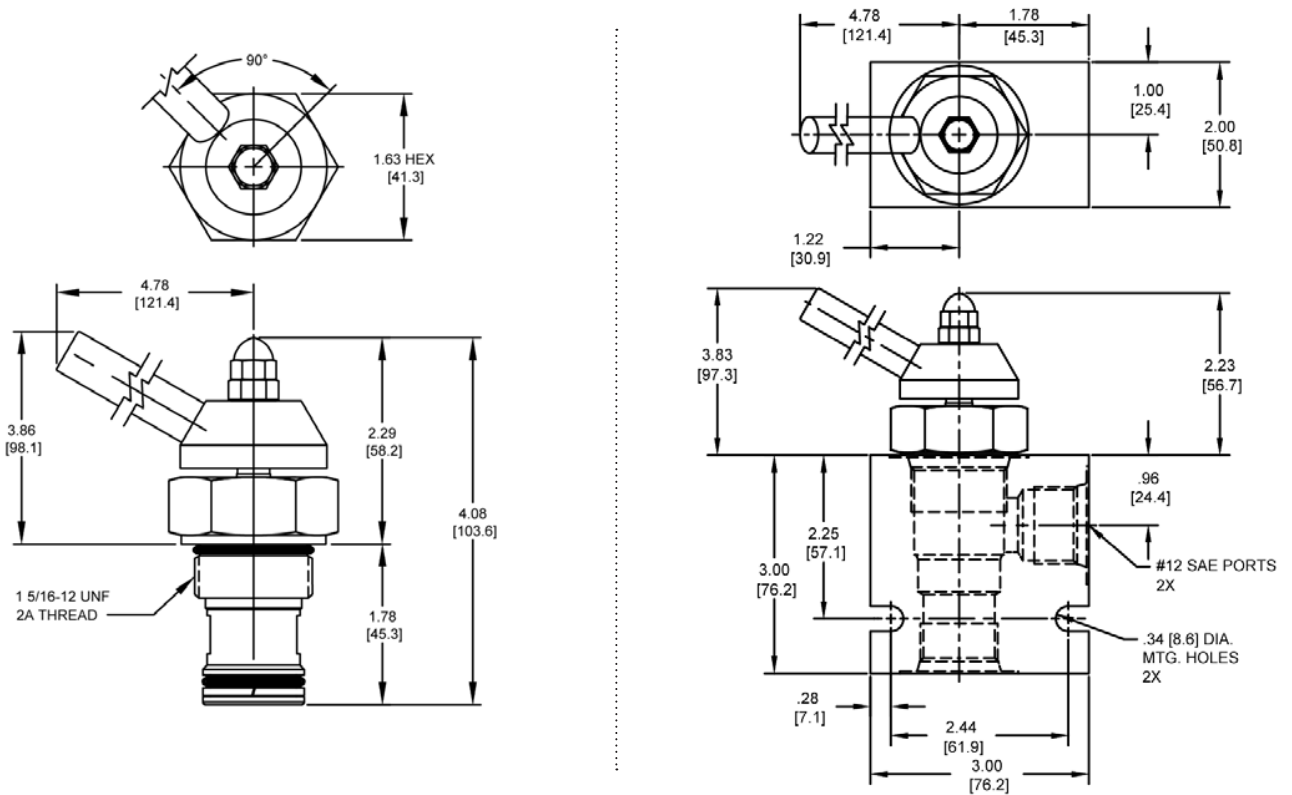

HYDRAULIC SYMBOL

PERFORMANCE

Actual Test Data (Cartridge Only)


VALVE SPECIFICATIONS

Nominal Flow	40 GPM (151 LTR/M)
Rated Operating Pressure	3000 PSI (207 bar)
Typical Internal Leakage (150 SSU)	15 cu in/min (246 ml/min)
Viscosity Range	36 to 3000 SSU (3 to 647 cSt)
Filtration	ISO 18/16/13
Media Operating Temp. Range	-40° to 250°F (-40° to 120°C)
Weight	1.13 lbs (.51 kg)
Operating Fluid Media	General Purpose Hydraulic Fluid
Cartridge Torque Requirements	90 ft-lbs (122 Nm)
Cavity	SIXTEEN 2W
Cavity Form Tool (Finishing)	40500017
Seal Kit	21191402

WARNING: the specifications/application data shown in our catalogs and data sheets are intended only as a general guide for the product described (herein). Any specific application should not be undertaken without independent study, evaluation, and testing for suitability.

DIMENSIONS


Body Weight: 1.29 lbs (.59 kg)

ORDERING INFORMATION

SJ-MRA		-	-
	OPTIONS		BODIES
Buna, Standard	00		Blank
Viton, Standard	V0		N 3/4" NPTF Ports
			S #12 SAE Ports