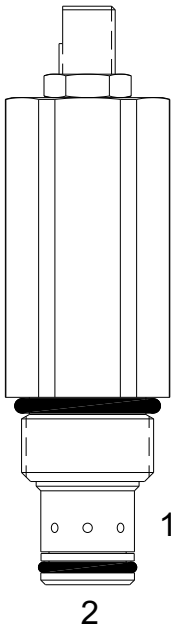


DE-FAR FULLY ADJUSTABLE FLOW CONTROL VALVE, PRESSURE COMPENSATED



DESCRIPTION

10 size, 7/8-14 thread, "Delta" series, pressure compensated, fully adjustable flow control valve.

OPERATION

The DE-FAR maintains a constant flow rate out of (1) regardless of load pressure changes in the circuit downstream of (1).

The adjustable control orifice can be set to customer flow specification.

The valve begins to respond to load changes when the flow through the valve creates a pressure differential across the control orifice. Consult chart to see regulation at high and low adjustment settings.

Reverse flow (1) to (2) returns through the control orifice and is non-compensated.

The regulated flow increases from low to high with counterclockwise rotation of the adjustment knob.

FEATURES

- Hardened parts for long life.
- Industry common cavity.
- Fine low-torque adjustment.

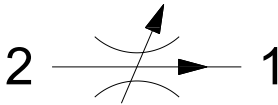
VALVE SPECIFICATIONS

Max Regulated Flow	12 GPM (45 LPM)
Rated Operating Pressure	3500 PSI (241 bar)
Viscosity Range	36 to 3000 SSU (3 to 647 cSt)
Filtration	ISO 18/16/13
Media Operating Temperature Range	-40° to 250° F (-40° to 120° C)
Weight	0.49 lbs. (0.22 kg)
Operating Fluid Media	General Purpose Hydraulic Fluid
Cartridge Torque Requirements	30 ft-lbs (40.6 Nm)
Cavity	DELTA 2W
Seal Kit	21191200



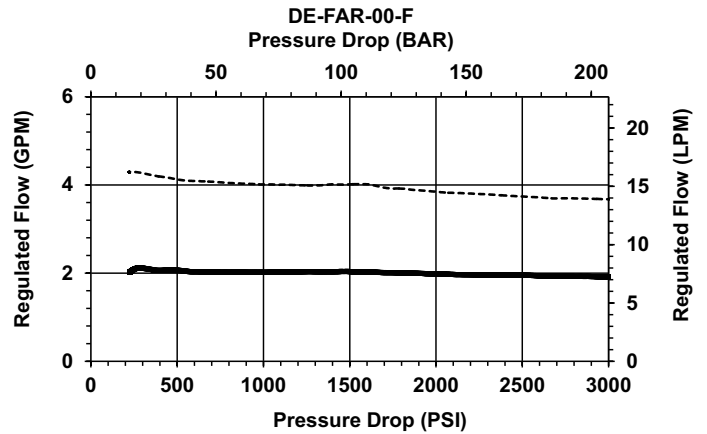
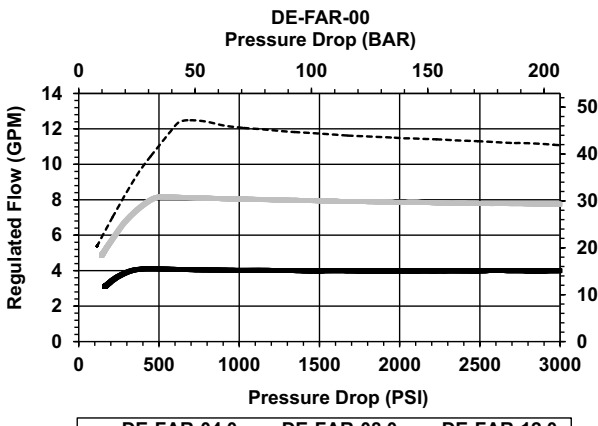
"Fully Adjustable," Valve can be adjusted down to leakage flow.

HYDRAULIC SYMBOL



PERFORMANCE

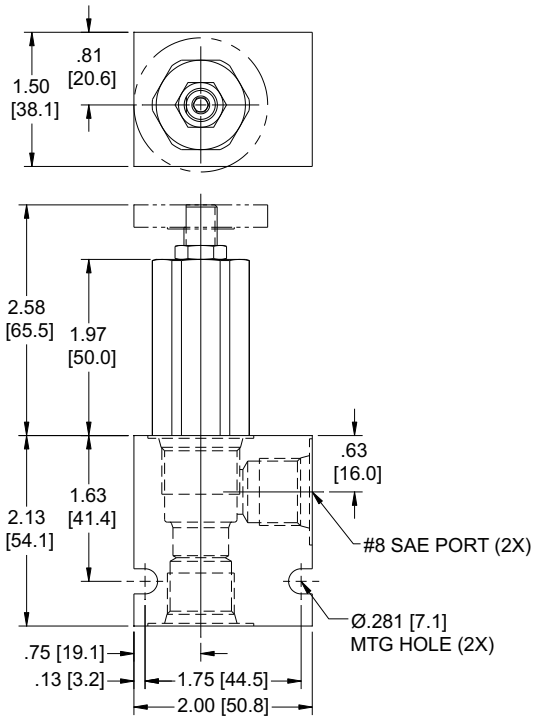
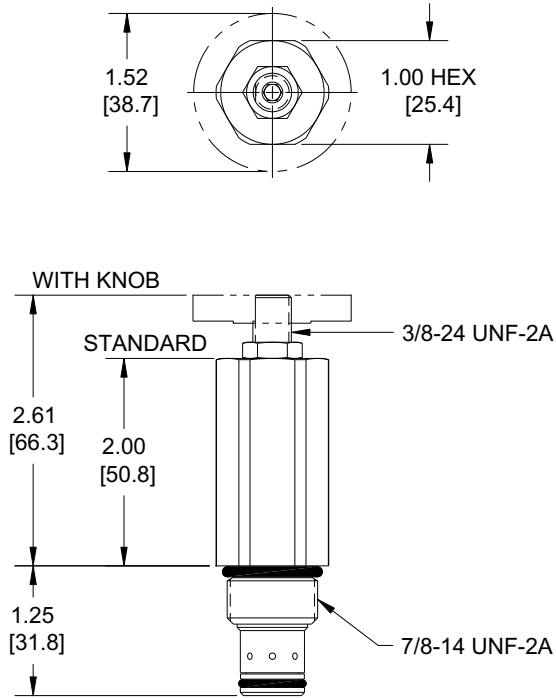
Actual Test Data (Cartridge Only)



W51/2-2023

WARNING: the specifications/application data shown in our catalogs and data sheets are intended only as a general guide for the product described (herein). Any specific application should not be undertaken without independent study, evaluation, and testing for suitability.

DIMENSIONS



BODY WEIGHT: .47 lbs. [.21kg]

ORDERING INFORMATION

DE-FAR - - - - -

<u>OPTIONS</u>	
Buna, External Adj. w/locknut	00
Viton, External Adj. w/locknut	V0
Buna, Knob	0K
Viton, Knob	VK

<u>BODIES</u>	
Blank	Without Body
N	3/8 NPTF Ports
S	#8 SAE Ports

SETTING (IF REQUIRED) .0 to maximum at 0.1 increments are factory available
Blank = NOT FACTORY PRE-SET

Example: 0000 = 0 GPM

04.0 = 4.0 GPM

11.1 = 11.1 GPM

*Settings of 0 to 5 GPM will use the 0-5 GPM model

*Settings over 5 GPM will use the 0-12 GPM model

STD. FLOW RANGES

Blank	0 – 12 GPM - Full flow range
F	0 – 5 GPM - Fine adjust Low flow range

WARNING: the specifications/application data shown in our catalogs and data sheets are intended only as a general guide for the product described (herein). Any specific application should not be undertaken without independent study, evaluation, and testing for suitability.