

**DE-FCH ADJUSTABLE FLOW CONTROL VALVE, SPOOL TYPE, FREE REVERSE FLOW**
**DESCRIPTION**

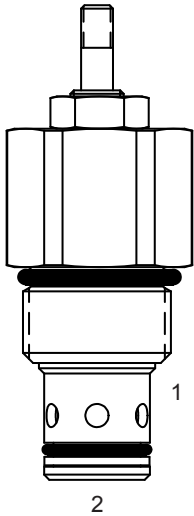
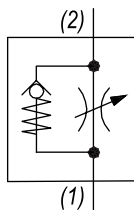
10 size, 7/8-14 thread, "Delta" adjustable needle flow control valve with free reverse flow.

**OPERATION**

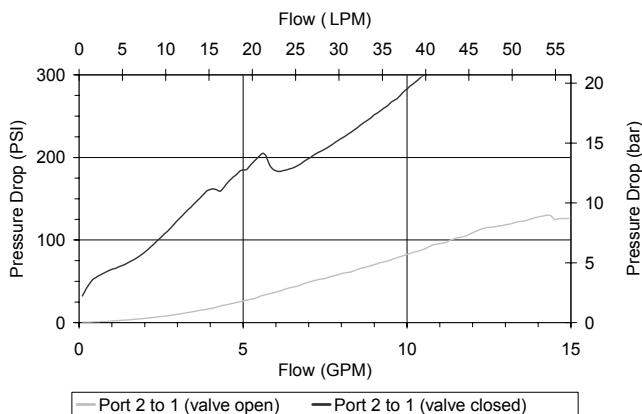
The DE-FCH increases its orifice value from fully closed to fully open by turning screw counterclockwise. When adjusted open the valve regulates flow (1) to (2). When fully closed the valve restricts flow from (1) to (2).

**FEATURES**

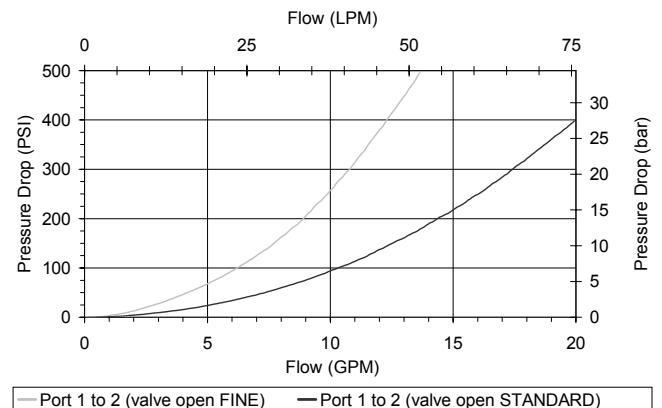
- Hardened parts for long life.
- Industry common cavity.


**HYDRAULIC SYMBOL**

**PERFORMANCE**

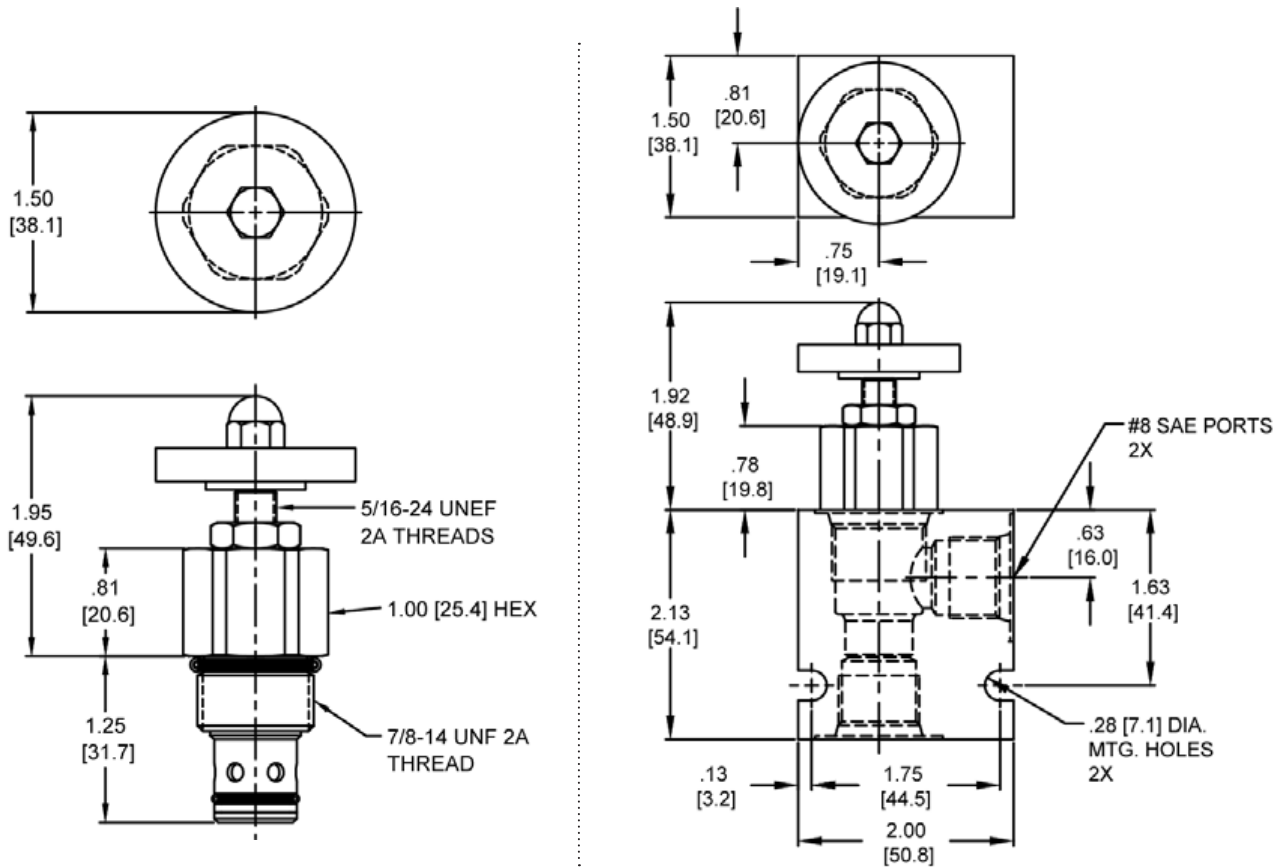
Actual Test Data (Cartridge Only)


**VALVE SPECIFICATIONS**

Nominal Flow	12 GPM (45 LPM)
Rated Operating Pressure	3500 PSI (241 bar)
Filtration	ISO 18/16/13
Media Operating Temp. Range	-40° to 250°F (-40° to 120°C)
Weight	.32 lbs (.15 kg)
Operating Fluid Media	General Purpose Hydraulic Fluid
Cartridge Torque Requirements	30 ft-lbs (40.6 Nm)
Cavity	DELTA 2W
Cavity Form Tool (Finishing)	40500000
Seal Kit	21191200



**DIMENSIONS**



Body Weight: .47 lbs (.21 kg)

**ORDERING INFORMATION**

<p><b>DE-FCH</b> - - - -</p> <p><b>OPTIONS</b></p> <p>Buna Standard <b>00</b></p> <p>Viton Standard <b>V0</b></p> <p>Buna, Knob <b>0K</b></p> <p>Viton, Knob <b>VK</b></p> <p>Buna, Screen <b>A0</b></p> <p>Viton, Screen <b>W0</b></p> <p>Buna, Screen, Knob <b>AK</b></p> <p>Viton, Screen, Knob <b>WK</b></p>	<p><b>ADJUSTMENTS</b></p> <p><b>FINE</b> Fine Adjustment</p> <p><b>STRD</b> Standard Adjustment</p>	<p><b>BODIES</b></p> <p><b>Blank</b> Without Body</p> <p><b>N</b> 3/8" NPT Ports</p> <p><b>S</b> #8 SAE Ports</p>
--	---	---

**Note: use screen only if flow direction is from (1) to (2).**

**WARNING:** the specifications/application data shown in our catalogs and data sheets are intended only as a general guide for the product described (herein). Any specific application should not be undertaken without independent study, evaluation, and testing for suitability.