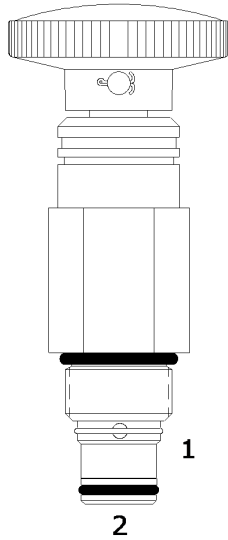


DE-HPA HAND PUMP



DESCRIPTION

10 size, 7/8-14 thread, "Delta" series, cartridge type, plunger hand pump.

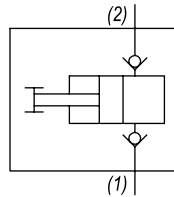
OPERATION

The DE-HPA hand pump when pulled primes thru Port (1) and when pushed pressurizes outlet port (2).

FEATURES

- Hardened parts for long life.
- Industry common cavity.

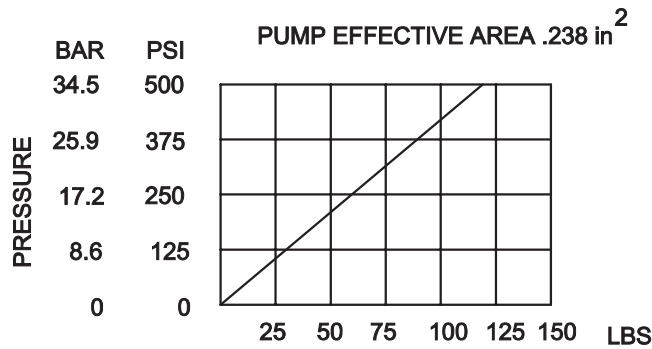
HYDRAULIC SYMBOL



This product is not intended as a load holding device.

PERFORMANCE

Actual Test Data (Cartridge Only)

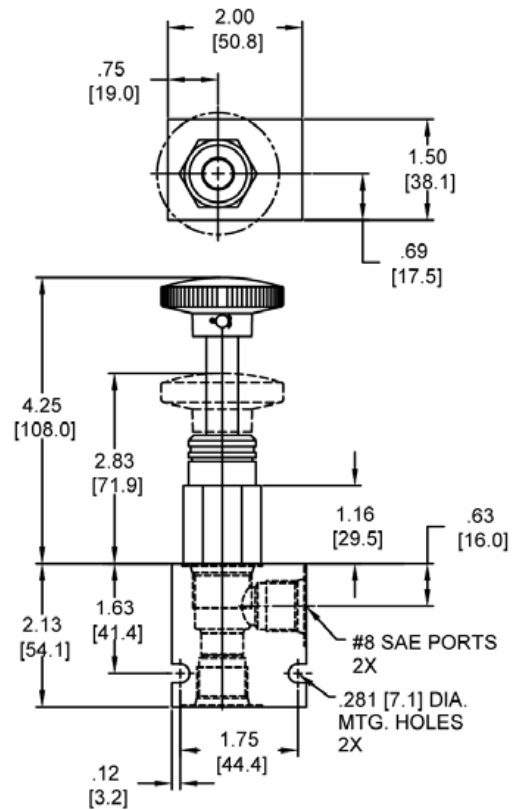
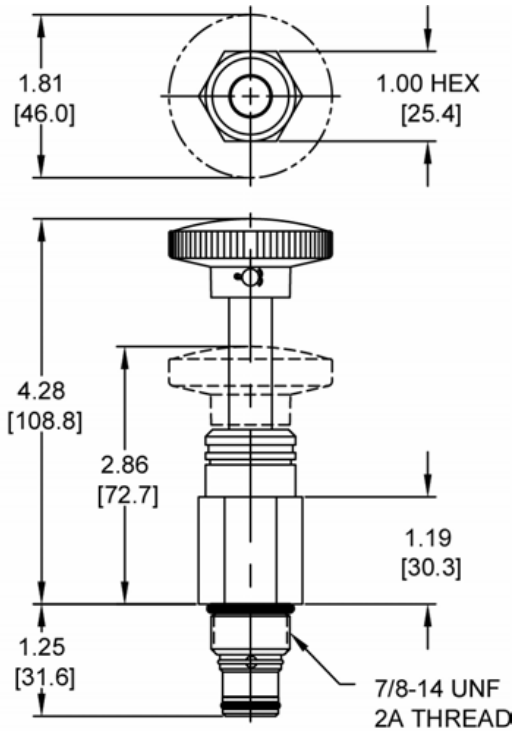


ABOVE CURVE IS WITH HYDRAULIC OIL 150 SSU AT 100°F.

VALVE SPECIFICATIONS

Nominal Flow	.35 cu in/stroke
Rated Operating Pressure	500 PSI (34 bar)
Typical Internal Leakage (150 SSU)	0-10 drops/min
Viscosity Range	36 to 3000 SSU (3 to 647 cSt)
Filtration	ISO 18/16/13
Media Operating Temp. Range	-40° to 250°F (-40° to 120°C)
Weight	.57 lbs (.26 kg)
Operating Fluid Media	General Purpose Hydraulic Fluid
Cartridge Torque Requirements	30 ft-lbs (40.6 Nm)
Cavity	DELTA 2W
Cavity Form Tool (Finishing)	40500000
Seal Kit	21191200

DIMENSIONS



Body Weight: .47 lbs (21 kg)

ORDERING INFORMATION

DE-HPA	-	-	-
		OPTIONS	BODIES
		Buna, Knob OK	Without Body
		Viton, Knob VK	3/8" NPTF Ports
			Blank
			N
			S
			#8 SAE Ports

WARNING: the specifications/application data shown in our catalogs and data sheets are intended only as a general guide for the product described (herein). Any specific application should not be undertaken without independent study, evaluation, and testing for suitability.