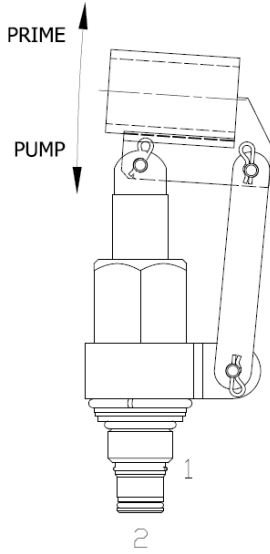


**DE-HPD HAND PUMP, PUSH TO PUMP TYPE**

**DESCRIPTION**

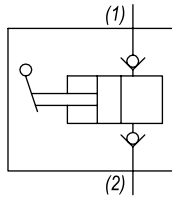
10 size, 7/8-14 thread, "Delta" series, cartridge type, hand pump.

**OPERATION**

The DE-HPD hand pump when pipe handle is lifted, primes thru port (2) and when pushed provides flow pressure to outlet port (1).

**FEATURES**

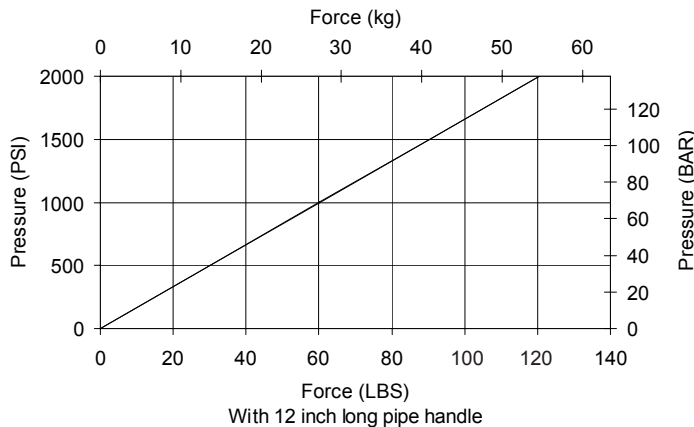
- Large displacement per stroke.
- Industry common cavity.

**HYDRAULIC SYMBOL**


*This product is not intended as a load holding device. Linkage is not to be removed. 36" Maximum handle length.*

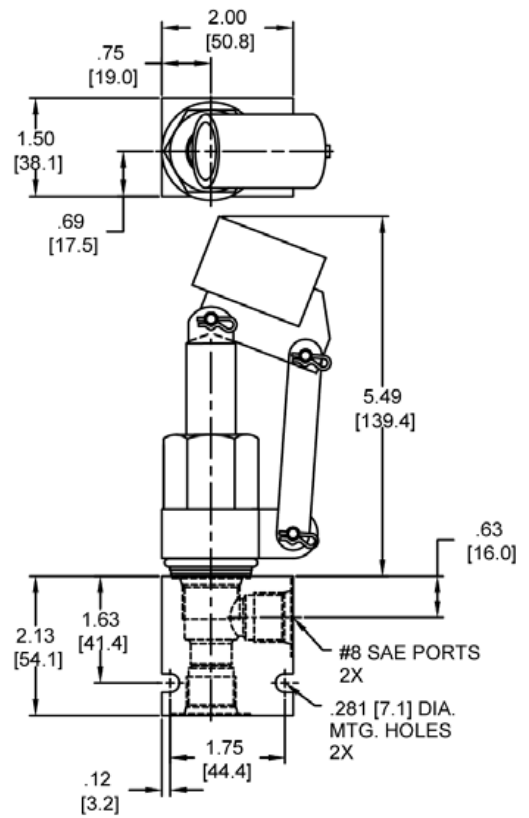
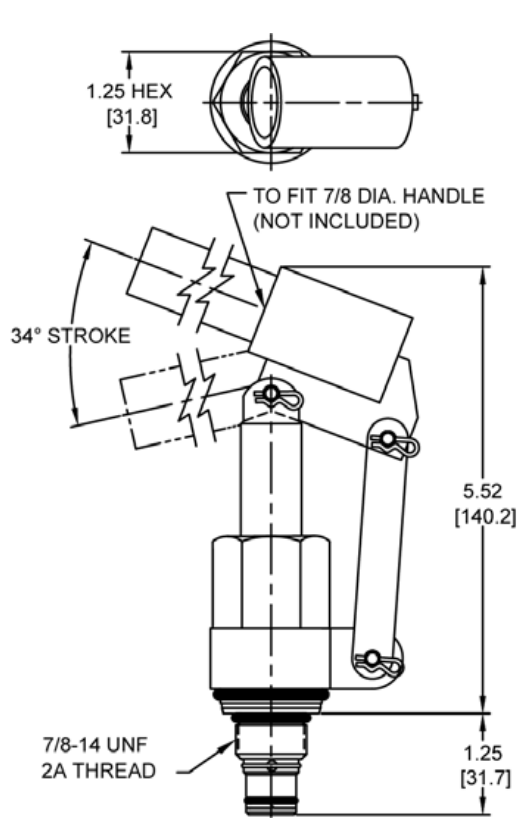
**PERFORMANCE**

Actual Test Data (Cartridge Only)


**VALVE SPECIFICATIONS**

Nominal Flow	.39 cu in/stroke
Rated Operating Pressure	3000 PSI (207 bar)
Typical Internal Leakage (150 SSU)	0-10 drops/min
Viscosity Range	36 to 3000 SSU (3 to 647 cSt)
Filtration	ISO 18/16/13
Media Operating Temp. Range	-40° to 250°F (-40° to 120°C)
Weight	1.5 lbs (.69 kg)
Operating Fluid Media	General Purpose Hydraulic Fluid
Cartridge Torque Requirements	30 ft-lbs (40.6 Nm)
Cavity	DELTA 2W
Cavity Form Tool (Finishing)	40500000
Seal Kit	21191200

**DIMENSIONS**



Body Weight: .47 lbs (21 kg)

**ORDERING INFORMATION**

DE-HPD	-	-	-
	<b>OPTIONS</b>		<b>BODIES</b>
	Buna, Linkage <b>OL</b>		Without Body
	Viton, Linkage <b>VL</b>	<b>Blank</b>	3/8" NPTF Ports
		<b>N</b>	#8 SAE Ports
		<b>S</b>	

**WARNING:** the specifications/application data shown in our catalogs and data sheets are intended only as a general guide for the product described (herein). Any specific application should not be undertaken without independent study, evaluation, and testing for suitability.