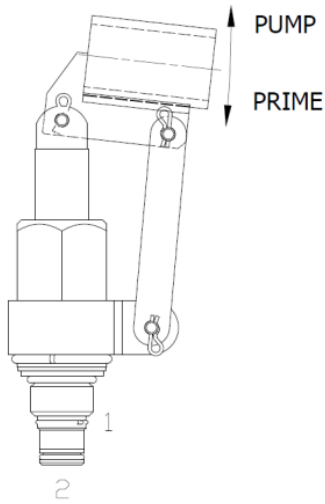


DE-HPF HAND PUMP, PULL TO PUMP TYPE



DESCRIPTION

10 size, 7/8-14 thread, "Delta" series, cartridge type, hand pump.

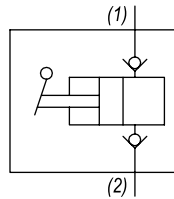
OPERATION

The DE-HPF hand pump when pipe handle is pushed, primes thru port (2) and when lifted provides flow pressure to outlet port (1).

FEATURES

- Large displacement per stroke.
- Industry common cavity.

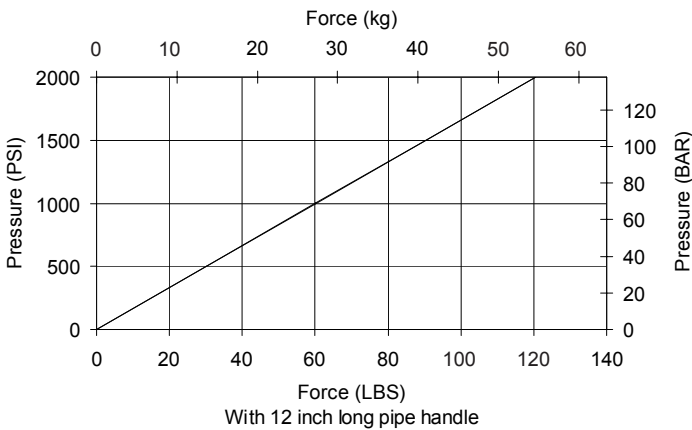
HYDRAULIC SYMBOL



This product is not intended as a load holding device. Linkage is not to be removed. 36" Maximum handle length.

PERFORMANCE

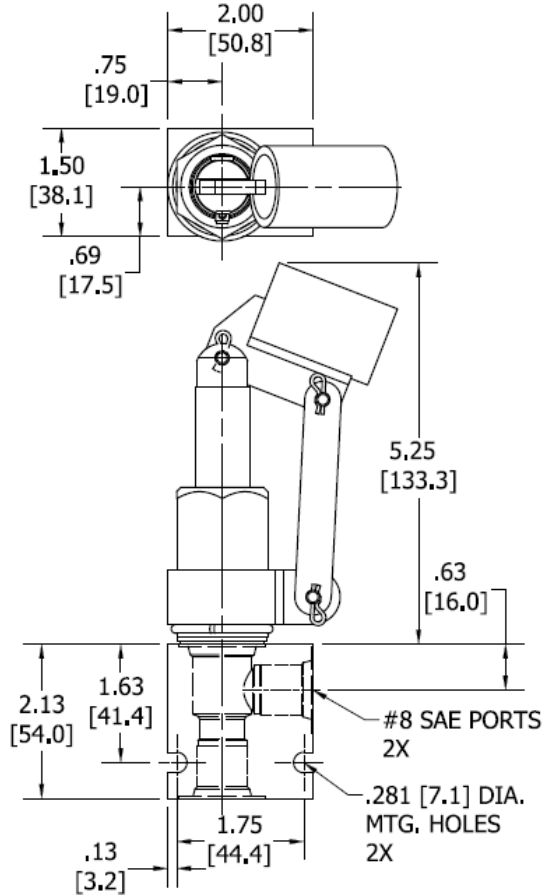
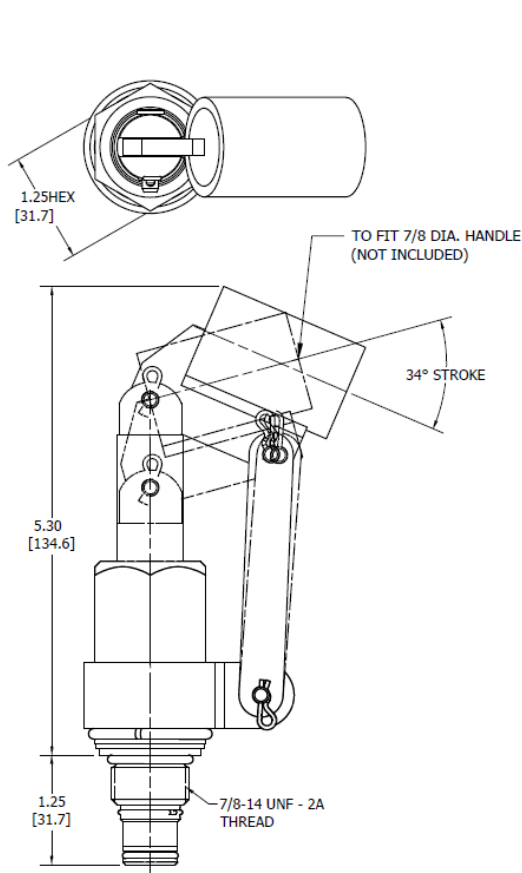
Actual Test Data (Cartridge Only)



VALVE SPECIFICATIONS

Nominal Flow	.39 cu in/stroke
Rated Operating Pressure	3000 PSI (207 bar)
Typical Internal Leakage (150 SSU)	0-10 drops/min
Viscosity Range	36 to 3000 SSU (3 to 647 cSt)
Filtration	ISO 18/16/13
Media Operating Temp. Range	-40° to 250°F (-40° to 120°C)
Weight	1.5 lbs (.69 kg)
Operating Fluid Media	General Purpose Hydraulic Fluid
Cartridge Torque Requirements	30 ft-lbs (40.6 Nm)
Cavity	DELTA 2W
Cavity Form Tool (Finishing)	40500000
Seal Kit	21191200

DIMENSIONS



Body Weight: .47 lbs (21 kg)

ORDERING INFORMATION

DE-HPF	-		-		-
		OPTIONS		Blank	BODIES
		Buna, Linkage OL		N	Without Body
		Viton, Linkage VL		S	3/8" NPTF Ports
					#8 SAE Ports

WARNING: the specifications/application data shown in our catalogs and data sheets are intended only as a general guide for the product described (herein). Any specific application should not be undertaken without independent study, evaluation, and testing for suitability.