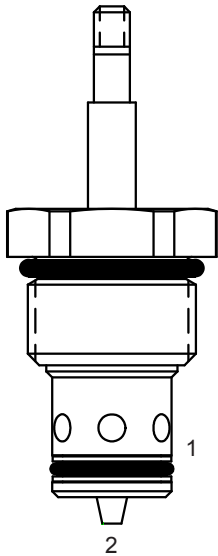


**DE-NVA ADJUSTABLE FLOW CONTROL VALVE, NEEDLE TYPE, FINE ADJUST**

**DESCRIPTION**

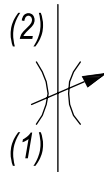
10 size, 7/8-14 thread, "Delta" series fine adjust needle flow control valve.

**OPERATION**

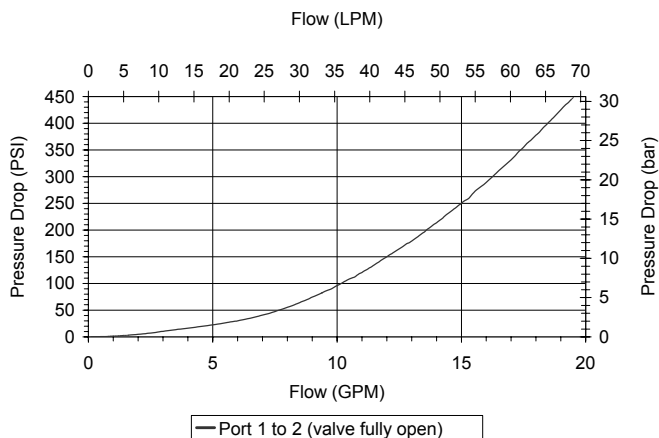
The DE-NVA adjusts from fully open to fully closed by turning adjusting screw counterclockwise. When adjusted open the valve allows flow (1) to (2) and (2) to (1). When fully closed the valve blocks flow from (1) to (2) and (2) to (1).

**FEATURES**

- Hardened parts for long life.
- Industry common cavity.

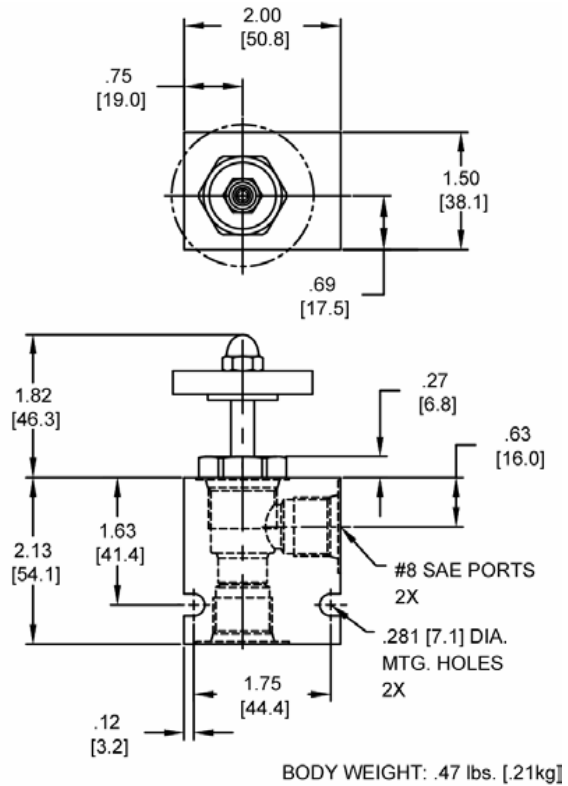
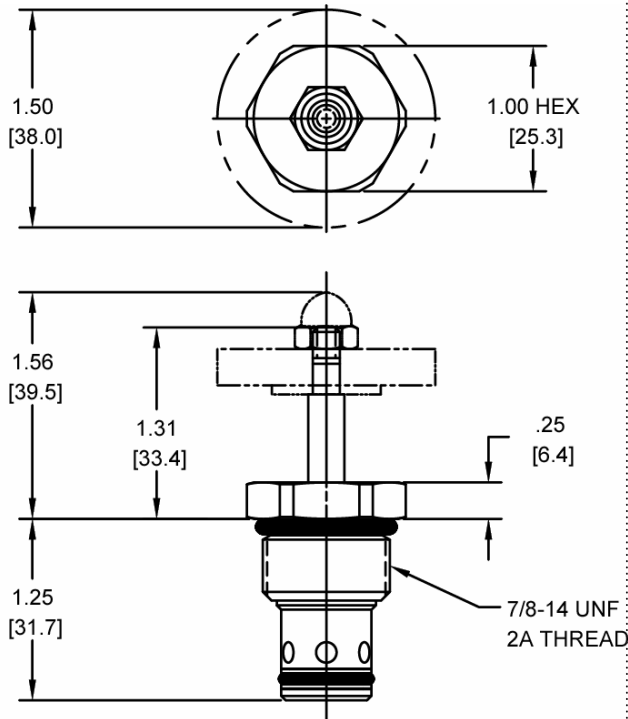
**HYDRAULIC SYMBOL**

**PERFORMANCE**

Actual Test Data (Cartridge Only)


**VALVE SPECIFICATIONS**

Nominal Flow	10 GPM (38 LPM)
Rated Operating Pressure	3500 PSI (241 bar)
Viscosity Range	36 to 3000 SSU (3 to 647 cSt)
Filtration	ISO 18/16/13
Media Operating Temp. Range	-40° to 250°F (-40° to 120°C)
Weight	.19 lbs (.09 kg)
Operating Fluid Media	General Purpose Hydraulic Fluid
Cartridge Torque Requirements	30 ft-lbs (40.6 Nm)
Cavity	DELTA 2W
Cavity Form Tool (Finishing)	40500000
Seal Kit	21191202

**DIMENSIONS**



Body Weight: .47 lbs (.21 kg)

**ORDERING INFORMATION**

DE-NVA	-	-	-
<b>OPTIONS</b>			<b>BODIES</b>
Buna Standard	<b>00</b>		Blank
Viton Standard	<b>V0</b>		Without Body
Buna, Knob	<b>0K</b>		<b>N</b> 3/8" NPTF Ports
Viton, Knob	<b>VK</b>		<b>S</b> #8 SAE Ports
Buna, Screen	<b>A0</b>		
Viton, Screen	<b>W0</b>		
Buna, Screen, Knob	<b>AK</b>		
Viton, Screen, Knob	<b>WK</b>		

**Note: use screen only if flow direction is from (1) to (2).**

**WARNING:** the specifications/application data shown in our catalogs and data sheets are intended only as a general guide for the product described (herein). Any specific application should not be undertaken without independent study, evaluation, and testing for suitability.