

HDE-NVA ADJUSTABLE FLOW CONTROL VALVE, NEEDLE TYPE, FINE ADJUST
DESCRIPTION

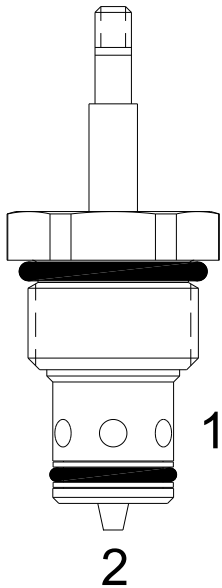
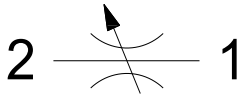
"High Pressure" 10 size, 7/8-14 thread, "Delta" series fine adjust needle flow control valve.

OPERATION

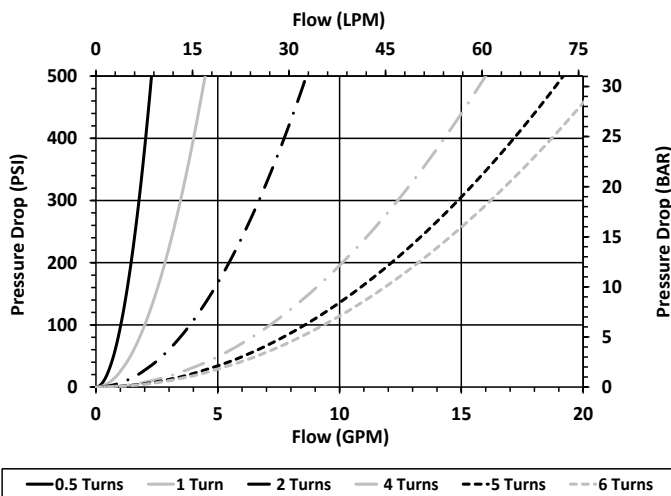
The HDE-NVA adjusts from fully open to fully closed by turning adjusting screw counterclockwise. When adjusted open the valve allows flow (1) to (2) and (2) to (1). When fully closed the valve blocks flow from (1) to (2) and (2) to (1).

FEATURES

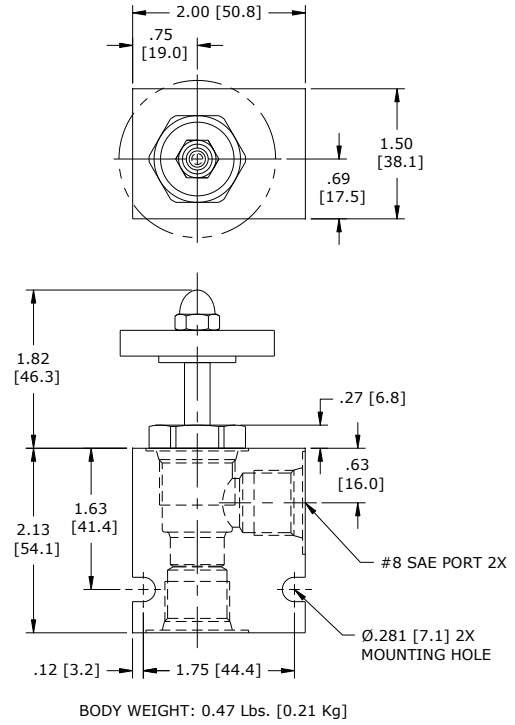
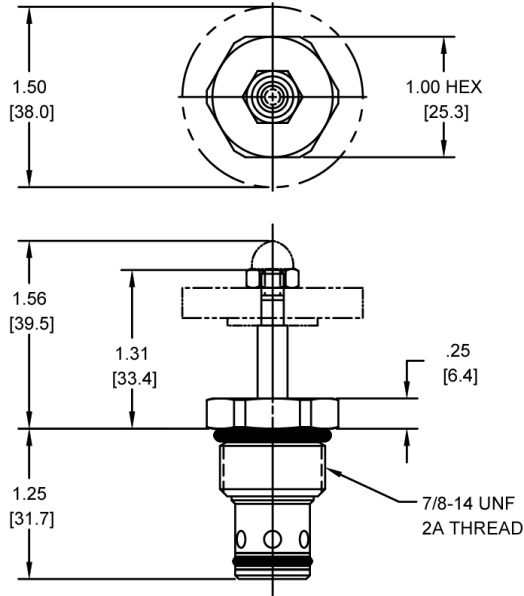
- Hardened parts for long life.
- Industry common cavity.


HYDRAULIC SYMBOL

PERFORMANCE

Actual Test Data (Cartridge Only)


VALVE SPECIFICATIONS

Nominal Flow	14 GPM (53 LPM)
Rated Operating Pressure	4200 PSI (290 bar)
Viscosity Range	36 to 3000 SSU (3 to 647 cSt)
Filtration	ISO 18/16/13
Media Operating Temperature Range	-40° to 250° F (-40° to 120° C)
Weight	0.19 lbs. (0.09 kg)
Operating Fluid Media	General Purpose Hydraulic Fluid
Cartridge Torque Requirements	50 ft-lbs (68 Nm)
Cavity	DELTA 2W
Cavity Form Tool (Finishing)	40500000
Seal Kit	21191202

DIMENSIONS

ORDERING INFORMATION
HDE-NVA - - -

OPTIONS

Buna Standard	00	Blank
Viton Standard	V0	N
Buna, Screen	A0	S
Viton, Screen	W0	
Buna, Knob	0K	
Viton, Knob	VK	
Buna, Knob, Screen	AK	
Viton, Knob, Screen	WK	

BODIES

Without Body
3/8 NPTF Ports
#8 SAE Ports

Note: Aluminum **NOT** durability rated for 4200 PSI. Consult factory for body options.

NOTE: Use Screen Only if Flow Direction is From 1 to 2

WARNING: the specifications/application data shown in our catalogs and data sheets are intended only as a general guide for the product described (herein). Any specific application should not be undertaken without independent study, evaluation, and testing for suitability.