

HPB-NVA ADJUSTABLE FLOW CONTROL VALVE, NEEDLE TYPE
DESCRIPTION

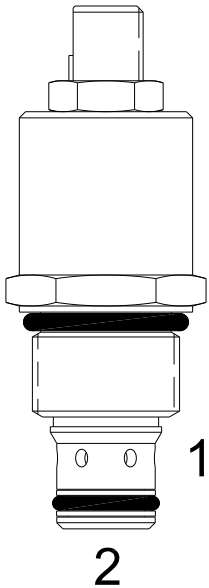
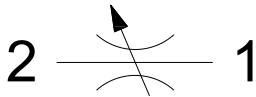
"High Pressure" 8 size, 3/4-16 thread, "Power" series, needle flow control.

OPERATION

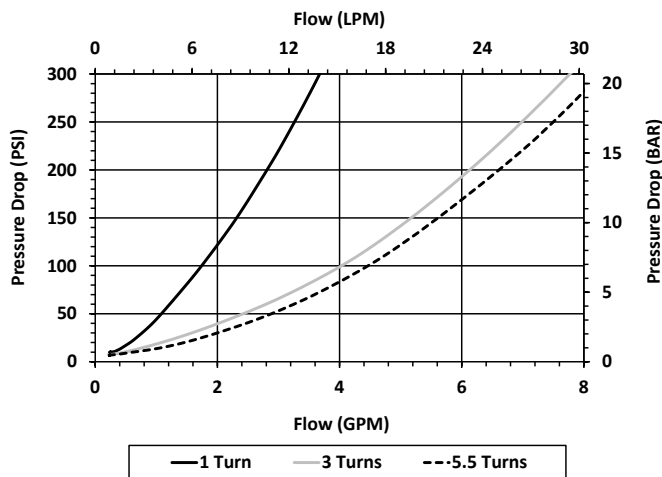
The HPB-NVA adjusts from fully open to fully closed by turning adjusting screw clockwise. When adjusted open the valve allows flow from (1) to (2) and (2) to (1). When fully closed the valve blocks flow from (1) to (2) and (2) to (1).

FEATURES

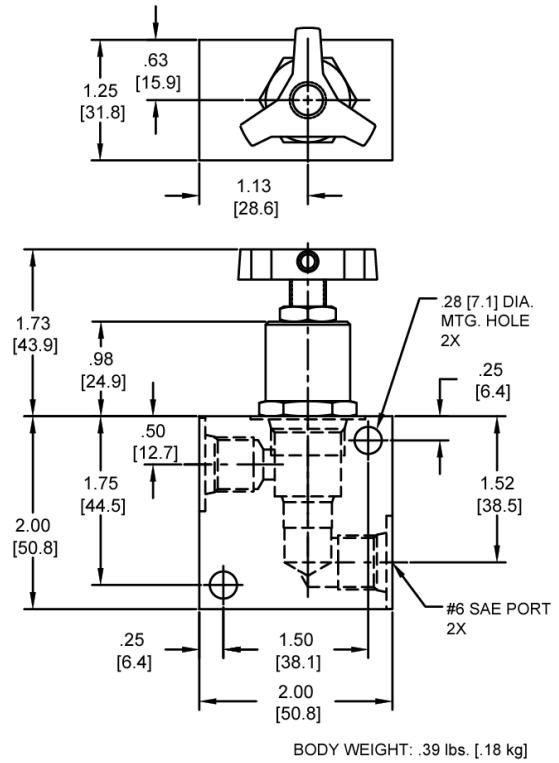
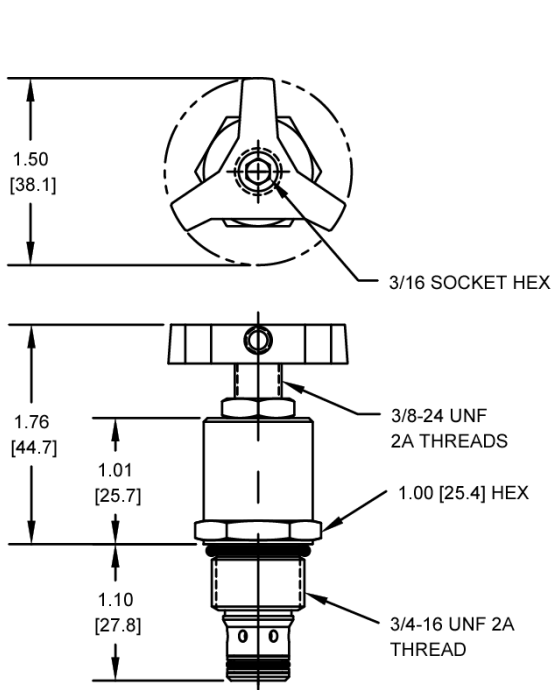
- Hardened parts for long life.
- Industry common cavity.


HYDRAULIC SYMBOL

PERFORMANCE

Actual Test Data (Cartridge Only)


VALVE SPECIFICATIONS

Nominal Flow	8 GPM (30 LPM)
Rated Operating Pressure	4200 PSI (290 bar)
Viscosity Range	36 to 3000 SSU (3 to 647 cSt)
Filtration	ISO 18/16/13
Media Operating Temperature Range	-40° to 250° F (-40° to 120° C)
Weight	0.22 lbs. (0.10 kg)
Operating Fluid Media	General Purpose Hydraulic Fluid
Cartridge Torque Requirements	35 ft-lbs (47 Nm)
Cavity	POWER 2W
Cavity Form Tool (Finishing)	40500005
Seal Kit	21191102

DIMENSIONS

ORDERING INFORMATION
HPB-NVA

<u>OPTIONS</u>				<u>BODIES</u>	
Buna Standard	00		Blank	Without Body	
Viton Standard	V0		N	1/4 NPTF Ports	
Buna, Knob	0K		S	#6 SAE Ports	
Viton, Knob	VK				
Buna, Screen	A0				
Viton, Screen	W0				
Buna, Screen, Knob	AK				
Viton, Screen, Knob	WK				

Note: Aluminum **NOT** durability rated for 4200 PSI. Consult factory for body options.

**NOTE: Use Screen Only if Flow
Direction is From 1 to 2**

WARNING: the specifications/application data shown in our catalogs and data sheets are intended only as a general guide for the product described (herein). Any specific application should not be undertaken without independent study, evaluation, and testing for suitability.