

HPB-NVB ADJUSTABLE FLOW CONTROL VALVE, NEEDLE TYPE, FINE ADJUST
DESCRIPTION

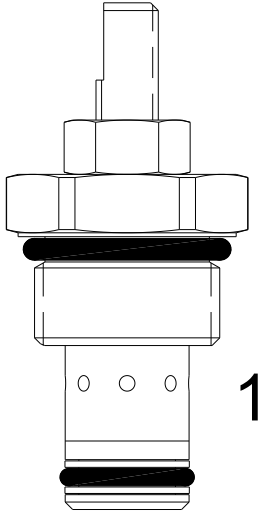
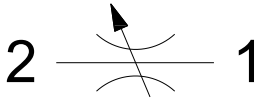
"High Pressure" 8 size, 3/4-16 thread, "Power" series, fine adjust needle flow control.

OPERATION

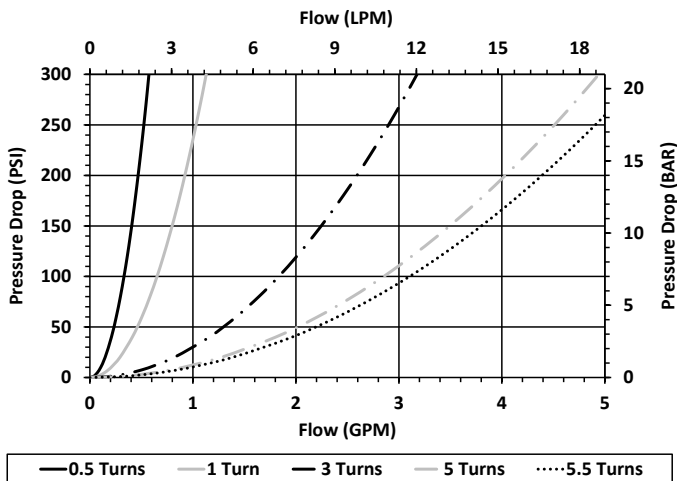
The HPB-NVB adjusts from fully open to fully closed by turning adjusting screw clockwise. When adjusted open the valve allows flow (1) to (2) and (2) to (1). When fully closed the valve blocks flow from (1) to (2) and (2) to (1).

FEATURES

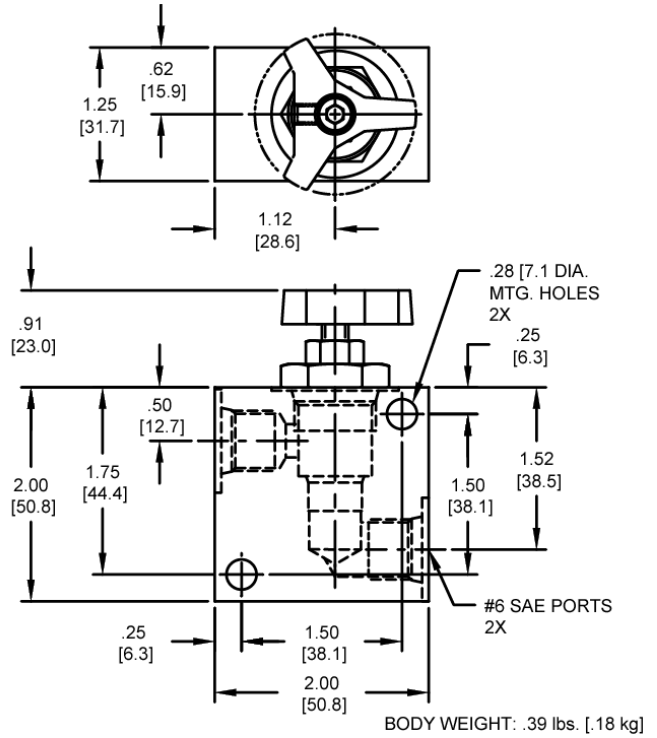
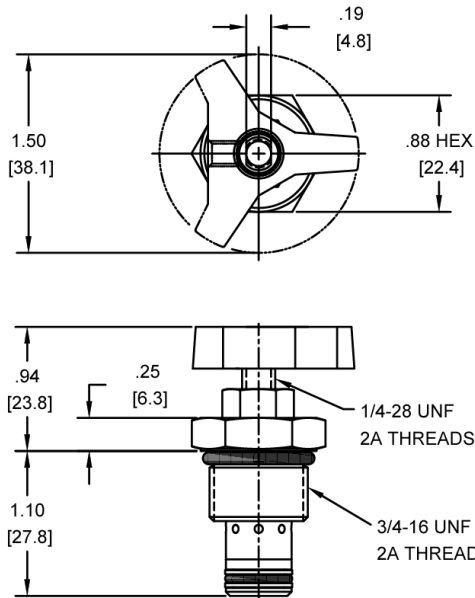
- Hardened parts for long life.
- Industry common cavity.


1
2
HYDRAULIC SYMBOL

PERFORMANCE

Actual Test Data (Cartridge Only)


VALVE SPECIFICATIONS

Nominal Flow	4 GPM (15 LPM)
Rated Operating Pressure	4200 PSI (290 bar)
Viscosity Range	36 to 3000 SSU (3 to 647 cSt)
Filtration	ISO 18/16/13
Media Operating Temperature Range	-40° to 250° F (-40° to 120° C)
Weight	0.13 lbs. (0.06 kg)
Operating Fluid Media	General Purpose Hydraulic Fluid
Cartridge Torque Requirements	35 ft-lbs (47 Nm)
Cavity	POWER 2W
Cavity Form Tool (Finishing)	40500005
Seal Kit	21191102

DIMENSIONS

ORDERING INFORMATION
HPB-NVB - - -

<u>OPTIONS</u>			<u>BODIES</u>
Buna Standard	00	Blank	Without Body
Viton Standard	V0	N	1/4 NPTF Ports
Buna, Knob	0K	S	#6 SAE Ports
Viton, Knob	VK		
Buna, Screen	A0		
Viton, Screen	W0		
Buna, Screen, Knob	AK		
Viton, Screen, Knob	WK		

Note: Aluminum **NOT** durability rated for 4200 PSI. Consult factory for body options.

NOTE: Use Screen Only if Flow Direction is From 1 to 2

WARNING: the specifications/application data shown in our catalogs and data sheets are intended only as a general guide for the product described (herein). Any specific application should not be undertaken without independent study, evaluation, and testing for suitability.