

HSJ-FAR FULLY ADJUSTABLE FLOW CONTROL VALVE, PRESSURE COMPENSATED
DESCRIPTION

"High pressure" 16 size, 1 5/16 -12 thread, "Sixteen" series, pressure compensated, flow control valve.

OPERATION

The HSJ-FAR maintains a constant flow rate out of (1) regardless of load pressure changes in the circuit downstream of (1).

The adjustable control orifice can be set to customer flow specification (see options for ranges).

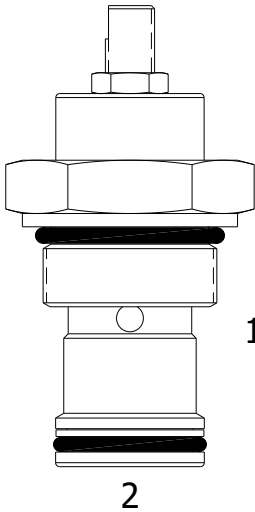
The valve begins to respond to load changes when the flow through the valve creates a pressure differential across the control orifice. Consult chart to see regulation at high and low adjustment settings.

Reverse flow (1) to (2) returns through the control orifice and is non-compensated.

1 The regulated flow increases from low to high with counterclockwise rotation of the adjustment knob.

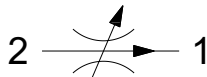
FEATURES

- Hardened parts for long life.
- Industry common cavity.
- Fine low-torque adjustment.

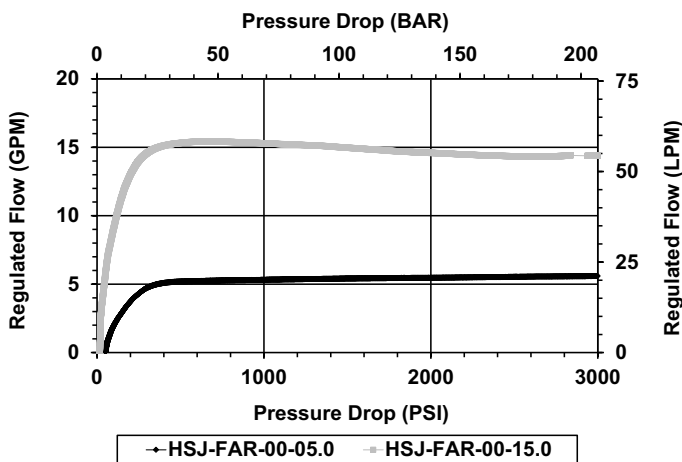


"Fully Adjustable," Valve can be adjusted down to leakage flow.

For lower flows/pressure drop or fine adjustment, see SJ-FAR

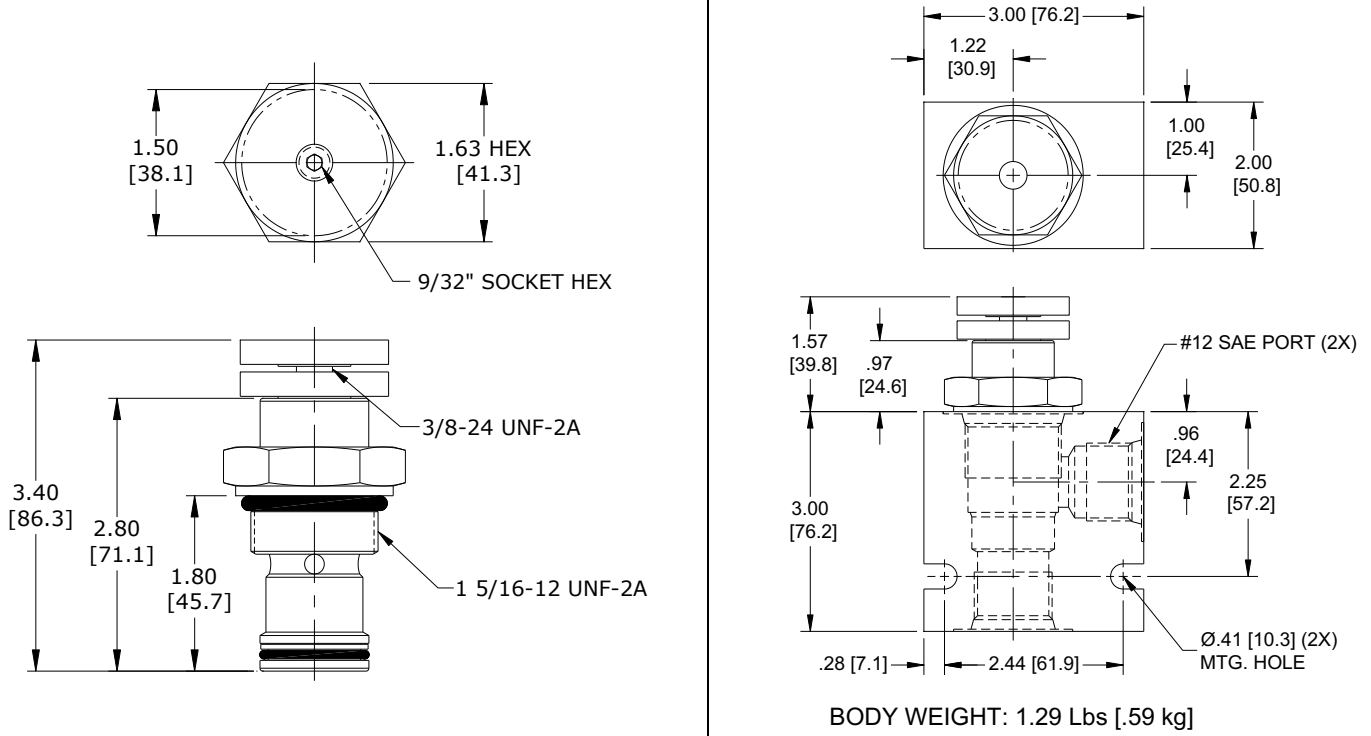
HYDRAULIC SYMBOL

PERFORMANCE

Actual Test Data (Cartridge Only)


VALVE SPECIFICATIONS

Nominal Flow	20 GPM (75 LPM)
Rated Operating Pressure	4200 PSI (290 bar)
Viscosity Range	36 to 3000 SSU (3 to 647 cSt)
Filtration	ISO 18/16/13
Media Operating Temperature Range	-40° to 250° F (-40° to 120° C)
Weight	0.89 lbs. (0.40 kg)
Operating Fluid Media	General Purpose Hydraulic Fluid
Cartridge Torque Requirements	115 ft-lbs (156 Nm)
Cavity	SIXTEEN 2W
Cavity Form Tool (Finishing)	40500017
Seal Kit	21191400

DIMENSIONS



ORDERING INFORMATION

HSJ-FAR

OPTIONS
 Buna, Standard **00**
 Viton, Standard **V0**
 Buna, Knob **0K**
 Viton, Knob **VK**

BODIES
 Without Body
 #12 SAE Ports **S**
 3/4 NPT Ports **N**

SETTING (IF REQUIRED) 1 GPM increments

0-20 GPM
 Preset
 Example: 15.0 = 15 GPM +/- 10%

BLANK **STD. FLOW RANGE**
 0 - 20 GPM

Note: Aluminum **NOT** durability rated for 4200 PSI. Consult factory for body options.

WARNING: the specifications/application data shown in our catalogs and data sheets are intended only as a general guide for the product described (herein). Any specific application should not be undertaken without independent study, evaluation, and testing for suitability.