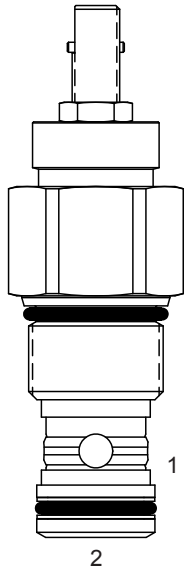


HT-NVA ADJUSTABLE FLOW CONTROL VALVE, NEEDLE TYPE



DESCRIPTION

“High Pressure” 12 size, 1 1/16-12 thread, “Tecnord” series, needle flow control valve.

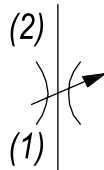
OPERATION

The HT-NVA adjusts from fully open to fully closed by turning adjusting screw clockwise. When adjusted open the valve allows flow (1) to (2) and (2) to (1). When fully closed the valve blocks flow from (1) to (2) and (2) to (1).

FEATURES

- Hardened parts for long life.
- Industry common cavity.

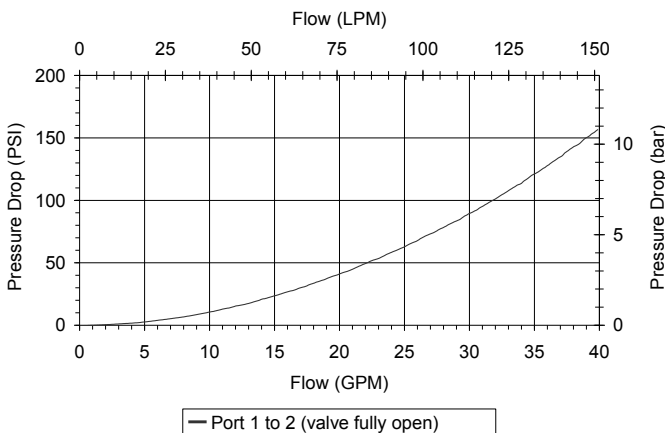
HYDRAULIC SYMBOL



Valves with the knob option are NOT to be adjusted under pressure.

PERFORMANCE

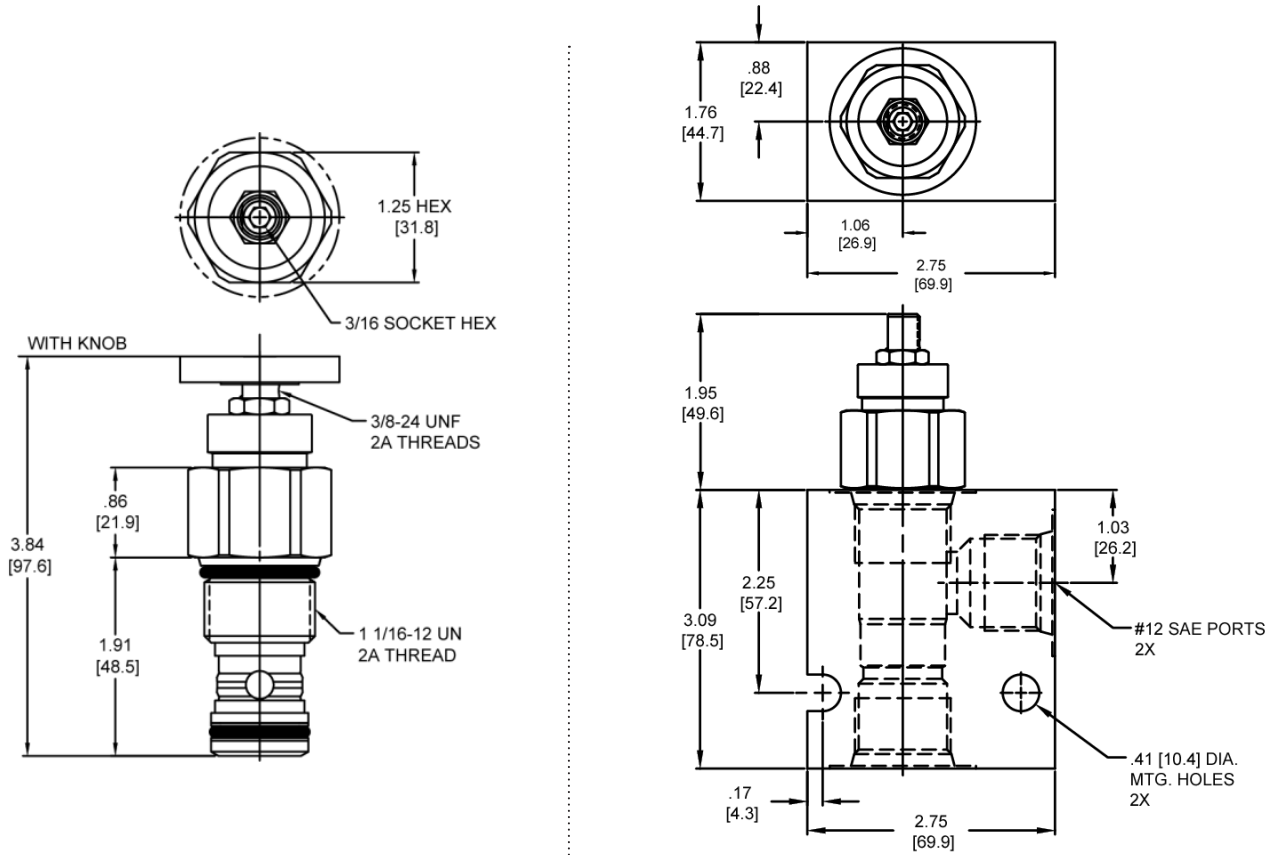
Actual Test Data (Cartridge Only)



VALVE SPECIFICATIONS

Nominal Flow	35 GPM (132 LPM)
Rated Operating Pressure	5000 PSI (345 bar)
Viscosity Range	36 to 3000 SSU (3 to 647 cSt)
Filtration	ISO 18/16/13
Media Operating Temp. Range	-40° to 250°F (-40° to 120°C)
Weight	.72 lbs (.32 kg)
Operating Fluid Media	General Purpose Hydraulic Fluid
Cartridge Torque Requirements	70 ft-lbs (95 Nm)
Cavity	TECNORD 2W
Cavity Form Tool (Finishing)	40500032
Seal Kit	21191302

DIMENSIONS



Body Weight: 3.71 lbs (1.68 kg)

ORDERING INFORMATION

<p>HT-NVA -</p> <p style="text-align: center;"> </p> <p>OPTIONS</p> <p>Buna Standard 00</p> <p>Viton Standard V0</p> <p>Buna, Knob 0K</p> <p>Viton, Knob VK</p> <p>Buna, Screen A0</p> <p>Viton, Screen W0</p> <p>Buna, Screen, Knob AK</p> <p>Viton, Screen, Knob WK</p>	<p style="text-align: center;">-</p> <p style="text-align: center;"> </p> <p>BODIES</p> <p>Blank Without Body</p> <p>S #12 SAE Ports</p>
---	--

Note: use screen only if flow direction is from (1) to (2).

WARNING: the specifications/application data shown in our catalogs and data sheets are intended only as a general guide for the product described (herein). Any specific application should not be undertaken without independent study, evaluation, and testing for suitability.