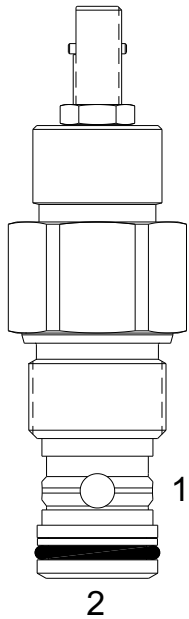


**HTT-FAR FULLY ADJUSTABLE FLOW CONTROL VALVE, PRESSURE COMPENSATED**

**DESCRIPTION**

"High Pressure" 12 size, 1 1/16 -12 thread, "Twelve" series, pressure compensated, flow control valve.

**OPERATION**

The HTT-FAR maintains a constant flow rate out of (1) regardless of load pressure changes in the circuit downstream of (1).

The adjustable control orifice can be set to customer flow specification (see options for ranges).

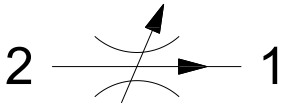
The valve begins to respond to load changes when the flow through the valve creates a pressure differential across the control orifice. Consult chart to see regulation at high and low adjustment settings.

Reverse flow (1) to (2) returns through the control orifice and is non-compensated.

The regulated flow increases from low to high with counter-clockwise rotation of the adjustment screw.

**FEATURES**

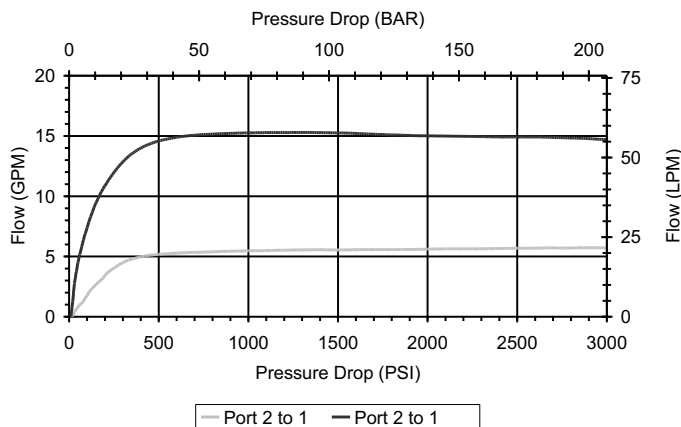
- Hardened parts for long life.
- Industry common cavity.
- Fine low-torque adjustment.

**HYDRAULIC SYMBOL**


Valve can adjust down to approximately 1 GPM. Optimum flow regulation performance achieved when pressure differential is between 500 & 2500 PSI from port (2) to (1).

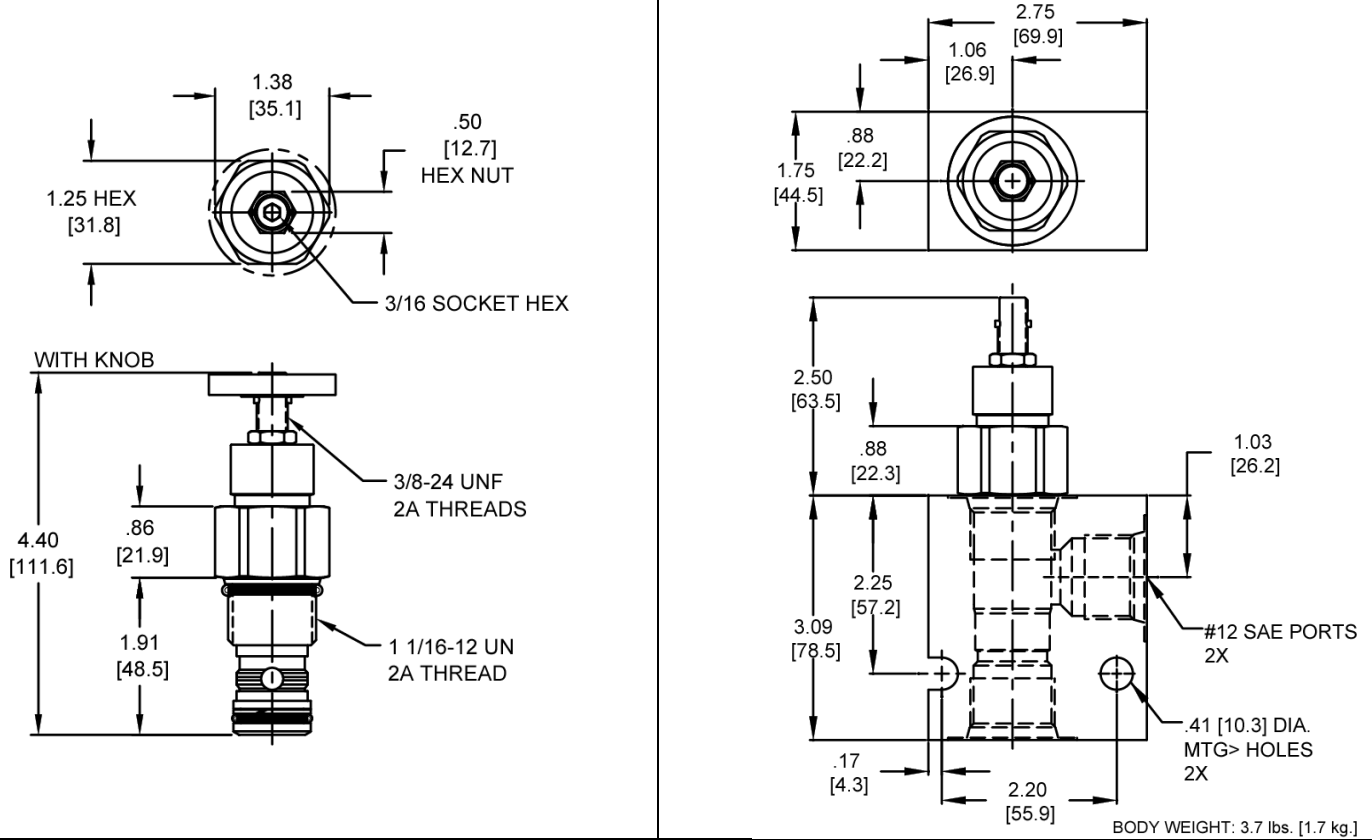
**PERFORMANCE**

Actual Test Data (Cartridge Only)


**VALVE SPECIFICATIONS**

Max Regulated Flow	18 GPM (68 LPM)
Rated Operating Pressure	5000 PSI (345 bar)
Viscosity Range	36 to 3000 SSU (3 to 647 cSt)
Filtration	ISO 18/16/13
Media Operating Temperature Range	-40° to 250° F (-40° to 120° C)
Weight	0.73 lbs. (0.33 kg)
Operating Fluid Media	General Purpose Hydraulic Fluid
Cartridge Torque Requirements	90 ft-lbs (122 Nm)
Cavity	<b>TWELVE 2W</b>
Cavity Form Tool (Finishing)	40500032
Seal Kit	21191300

**DIMENSIONS**



**ORDERING INFORMATION**

<b>HTT-FAR</b> - - - - -				
<b>OPTIONS</b>				<b>BODIES</b>
Buna Standard	<b>00</b>			Blank
Viton Standard	<b>V0</b>			<b>S</b>
Buna, Knob	<b>0K</b>			
Viton, Knob	<b>VK</b>			<b>#12 SAE Ports</b>
		<b>XXXX</b>		
			<b>FLOW</b>	
			0-18 GPM	

Preset & Tamper Proof Example:  
15.0 – 15 GPM +/- 10%

**WARNING:** the specifications/application data shown in our catalogs and data sheets are intended only as a general guide for the product described (herein). Any specific application should not be undertaken without independent study, evaluation, and testing for suitability.