

HTT-NVA ADJUSTABLE FLOW CONTROL VALVE, NEEDLE TYPE
DESCRIPTION

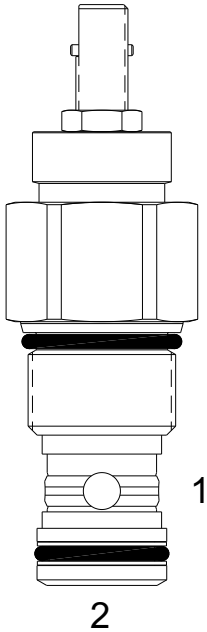
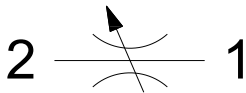
"High Pressure" 12 size, 1 1/16-12 thread, "Twelve" series, needle flow control valve.

OPERATION

The HTT-NVA adjusts from fully open to fully closed by turning adjusting screw clockwise. When adjusted open the valve allows flow (1) to (2) and (2) to (1). When fully closed the valve blocks flow from (1) to (2) and (2) to (1).

FEATURES

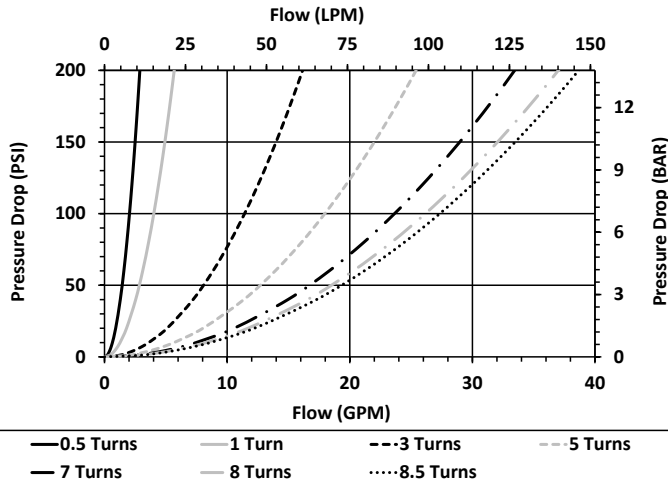
- Hardened parts for long life.
- Industry common cavity.


HYDRAULIC SYMBOL


NOTE: Valves with the knob option are NOT to be adjusted under pressure.

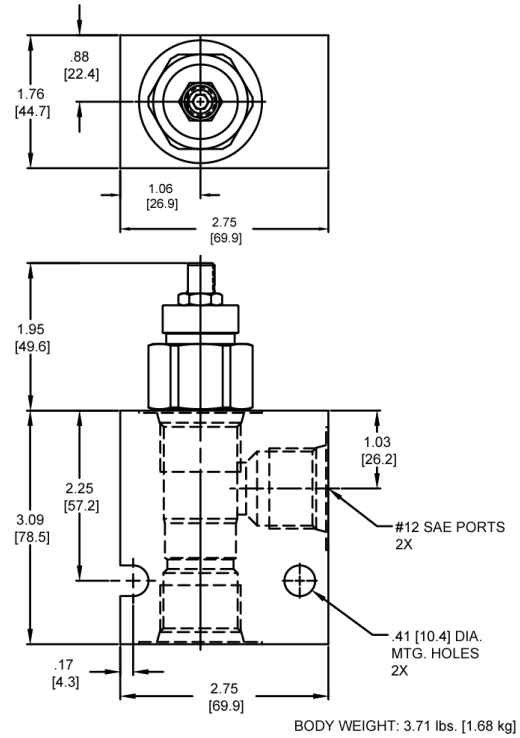
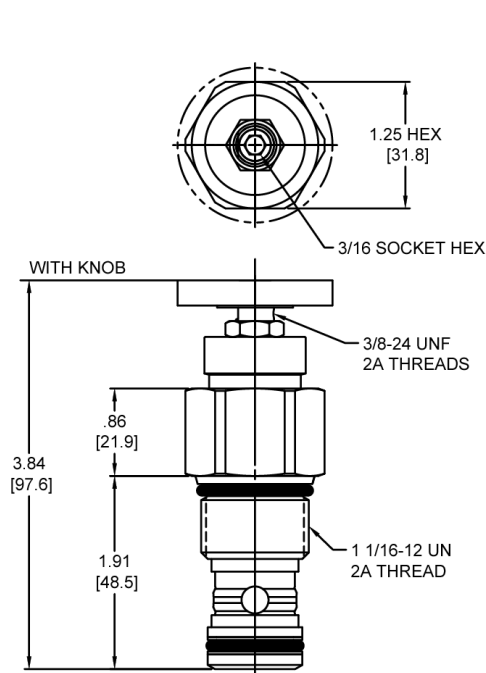
PERFORMANCE

Actual Test Data (Cartridge Only)


VALVE SPECIFICATIONS

Nominal Flow	35 GPM (133 LPM)
Rated Operating Pressure	5000 PSI (345 bar)
Viscosity Range	36 to 3000 SSU (3 to 647 cSt)
Filtration	ISO 18/16/13
Media Operating Temperature Range	-40° to 250° F (-40° to 120° C)
Weight	0.72 lbs. (0.32 kg)
Operating Fluid Media	General Purpose Hydraulic Fluid
Cartridge Torque Requirements	115 ft-lbs (156 Nm)
Cavity	TWELVE 2W
Cavity Form Tool (Finishing)	40500032
Seal Kit	21191302

DIMENSIONS



ORDERING INFORMATION

HTT-NVA - - -

OPTIONS

- Buna Standard **00**
- Viton Standard **V0**
- Buna, Screen **A0**
- Viton, Screen **W0**
- Buna, Knob **0K**
- Viton, Knob **VK**
- Buna, Screen, Knob **AK**
- Viton, Screen, Knob **WK**

- Blank **S**

BODIES

- Without Body
- #12 SAE Ports

NOTE: Use Screen Only if Flow Direction is From 1 to 2

WARNING: the specifications/application data shown in our catalogs and data sheets are intended only as a general guide for the product described (herein). Any specific application should not be undertaken without independent study, evaluation, and testing for suitability.