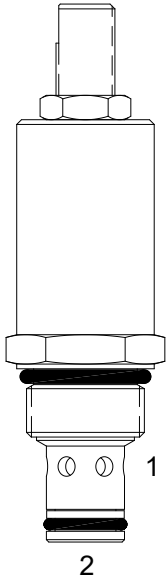


PB-FCC ADJUSTABLE FLOW CONTROL VALVE, PRESSURE COMPENSATED

DESCRIPTION

8 size, 3/4-16 thread, "Power" series, pressure compensated flow control valve.

OPERATION

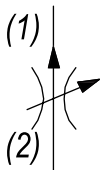
The PB-FCC maintains a constant flow rate out of (1) regardless of load pressure changes in the circuit downstream of (1).

The adjustable control differential spring load can be set to customer flow specification (see options for ranges). The valve begins to respond to load changes when the flow through the valve creates a pressure differential from (2) to (1) across the control orifice. Consult graph to see regulation at high and low adjustment settings.

Reverse flow (1) to (2) returns through the control orifice and is non-compensated. The regulated flow increases from low to high with clockwise rotation of the knob.

FEATURES

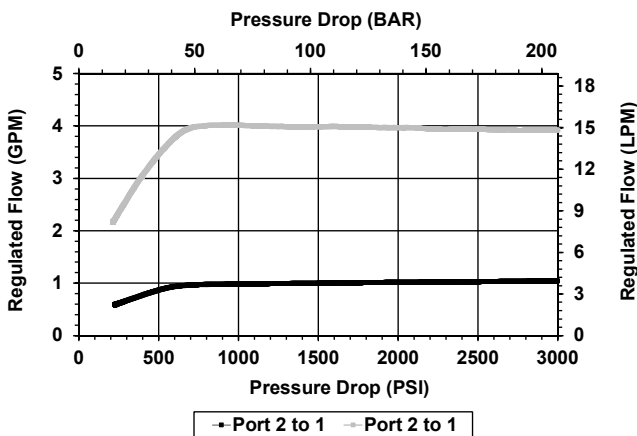
- Hardened parts for long life.
- Industry common cavity.

HYDRAULIC SYMBOL


Best stability is obtained with adjustment at highest flow.

PERFORMANCE

Actual Test Data (Cartridge Only)

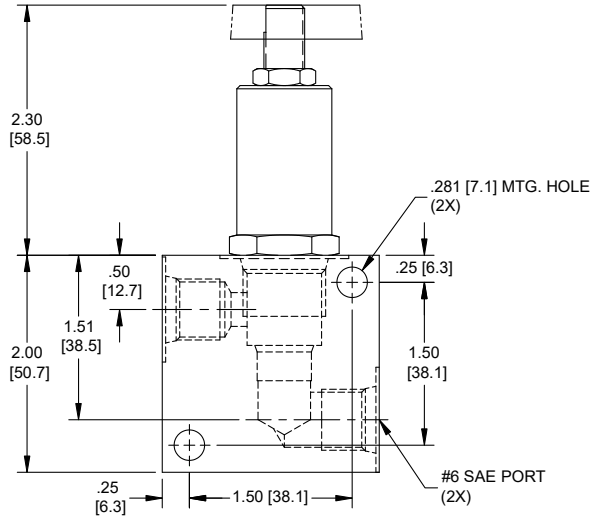
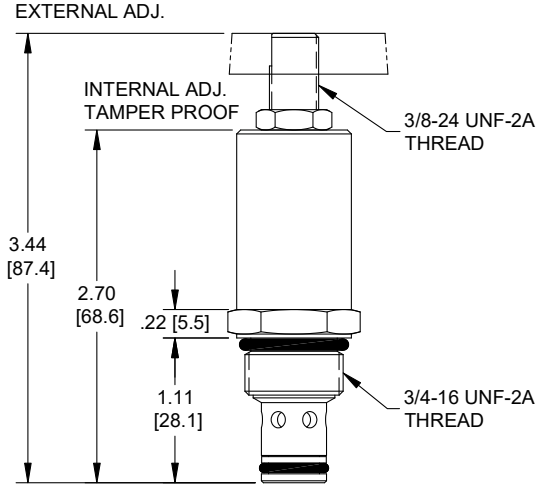
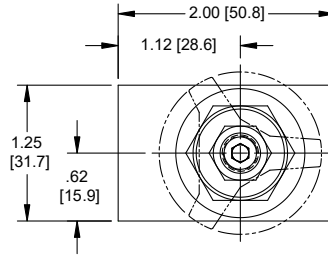
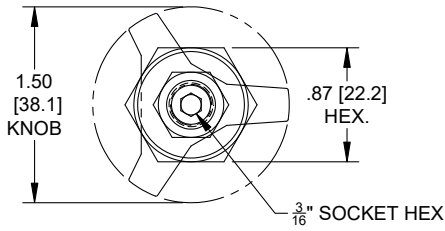

VALVE SPECIFICATIONS

Nominal Flow	5 GPM (19 LPM)
Rated Operating Pressure	3500 PSI (241 bar)
Viscosity Range	36 to 3000 SSU (3 to 647 cSt)
Filtration	ISO 18/16/13
Media Operating Temp. Range	-40° to 250°F (-40° to 120°C)
Weight	.26 lbs (.12 kg)
Operating Fluid Media	General Purpose Hydraulic Fluid
Cartridge Torque Requirements	25 ft-lbs (34 Nm)
Cavity	POWER 2W
Cavity Form Tool (Finishing)	40500005
Seal Kit	21191100

WARNING: the specifications/application data shown in our catalogs and data sheets are intended only as a general guide for the product described (herein). Any specific application should not be undertaken without independent study, evaluation, and testing for suitability.

DIMENSIONS

NSIONS



Body Weight: .39 lbs (.18 kg)

ORDERING INFORMATION

PB-FCC - - -

OPTIONS

- External Adjust w/Locknut, Buna **00**
- External Adjust w/Locknut, Viton **V0**
- Knob, Buna **0K**
- Knob, Viton **VK**
- Internal Adjust, Buna **0I**
- Internal Adjust, Viton **VI**
- Tamper Proof, Buna **0T**
- Tamper Proof, Viton **VT**

BODIES

- Blank** Without Body
- N** 1/4" NPTF Ports
- S** #6 SAE Ports

FLOW

- 0.45** .25 - .45 GPM
- 0.75** .45 - .75 GPM
- 1.25** .75 - 1.25 GPM
- 2.00** 1.25 - 2.00 GPM
- 5.00** 2.00 - 5.00 GPM

Tamper Proof

Fill in 4 Digit Flow Setting
Example: 02.0 - 2 GPM

W/51 / 12-2022

WARNING: the specifications/application data shown in our catalogs and data sheets are intended only as a general guide for the product described (herein). Any specific application should not be undertaken without independent study, evaluation, and testing for suitability.