

PB-NVA ADJUSTABLE FLOW CONTROL VALVE, NEEDLE TYPE
DESCRIPTION

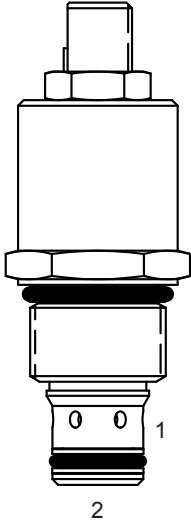
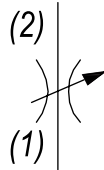
8 size, 3/4-16 thread, "Power" series, needle flow control.

OPERATION

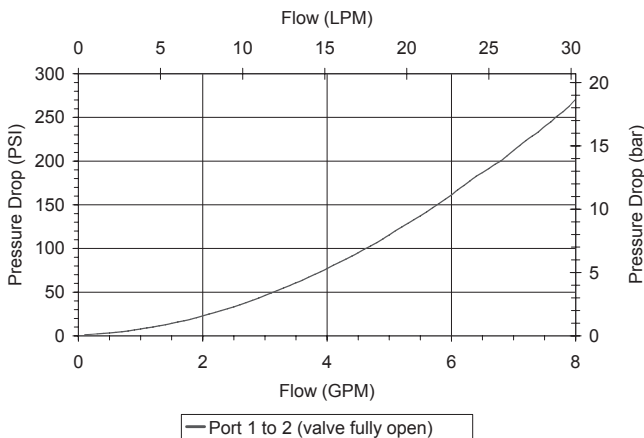
The PB-NVA adjusts from fully open to fully closed by turning adjusting screw clockwise. When adjusted open the valve allows flow from (1) to (2) and (2) to (1). When fully closed the valve blocks flow from (1) to (2) and (2) to (1).

FEATURES

- Hardened parts for long life.
- Industry common cavity.

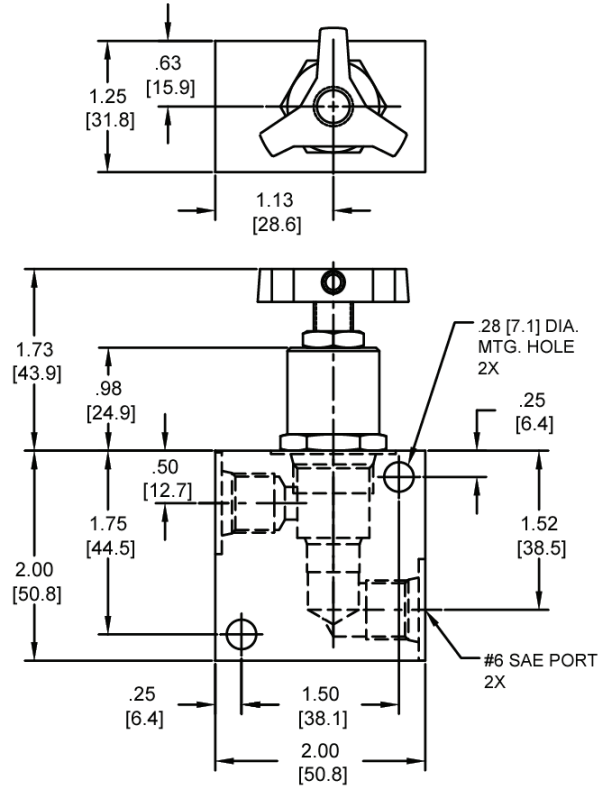
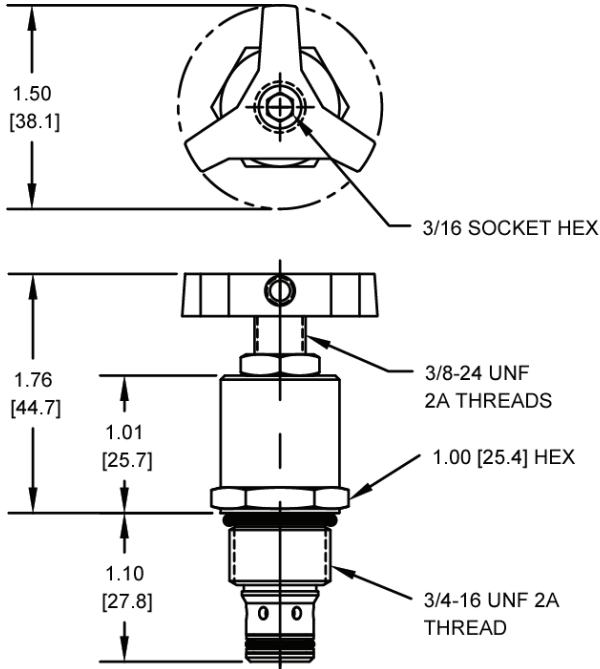

HYDRAULIC SYMBOL

PERFORMANCE

Actual Test Data (Cartridge Only)


VALVE SPECIFICATIONS

Nominal Flow	6 GPM (23 LPM)
Rated Operating Pressure	3500 PSI (241 bar)
Viscosity Range	36 to 3000 SSU (3 to 647 cSt)
Filtration	ISO 18/16/13
Media Operating Temp. Range	-40° to 250°F (-40° to 120°C)
Weight	.22 lbs (.10 kg)
Operating Fluid Media	General Purpose Hydraulic Fluid
Cartridge Torque Requirements	25 ft-lbs (34 Nm)
Cavity	POWER 2W
Cavity Form Tool (Finishing)	40500005
Seal Kit	21191102

DIMENSIONS



Body Weight: .39 lbs (.18 kg)

ORDERING INFORMATION

<p>PB-NVA -</p> <p>OPTIONS</p> <p>Buna Standard 00</p> <p>Viton Standard V0</p> <p>Buna, Knob 0K</p> <p>Viton, Knob VK</p> <p>Buna, Screen A0</p> <p>Viton, Screen W0</p> <p>Buna, Screen, Knob AK</p> <p>Viton, Screen, Knob WK</p>	<p>-</p> <p>-</p>	<p>BODIES</p> <p>Blank Without Body</p> <p>N 1/4" NPTF Ports</p> <p>S #6 SAE Ports</p>
--	-------------------	---

Note: use screen only if flow direction is from (1) to (2).

WARNING: the specifications/application data shown in our catalogs and data sheets are intended only as a general guide for the product described (herein). Any specific application should not be undertaken without independent study, evaluation, and testing for suitability.