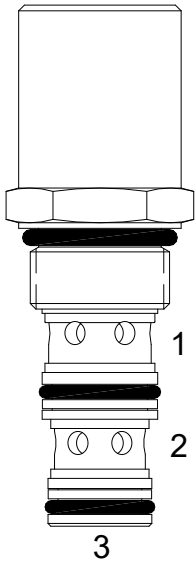


PP-FCP FIXED PRIORITY FLOW CONTROL VALVE

DESCRIPTION

8 size, 3/4-16 thread, "Power" series, fixed priority flow control valve.

OPERATION

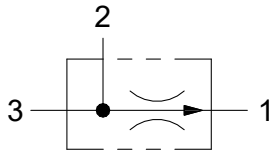
The PP-FCP allows pressure compensated flow from (3) to (1) regulated by the pressure present at (3). Excess flow bypasses out (2).

FEATURES

- Hardened parts for long life.
- Industry common cavity.



Test data shown on this sheet, for condition of port (2) to tank. Data on next page, for condition of port (3) to tank.

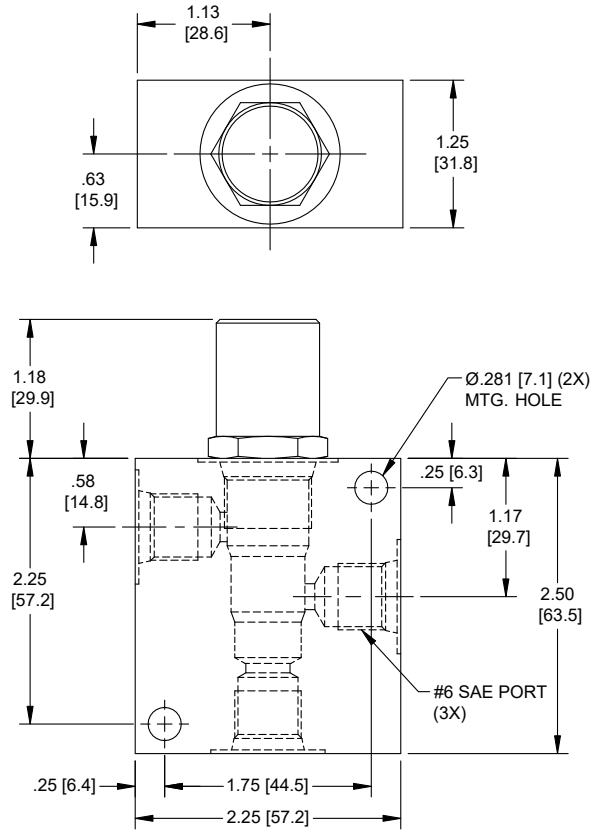
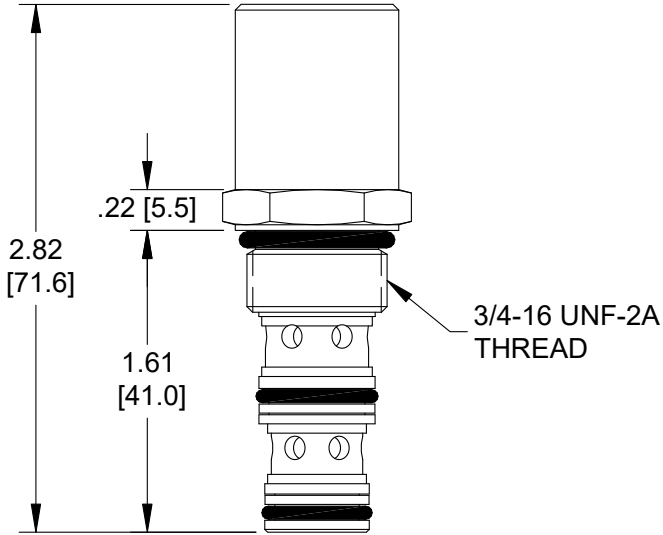
HYDRAULIC SYMBOL

PERFORMANCE

Actual Test Data (Cartridge Only)

VALVE SPECIFICATIONS

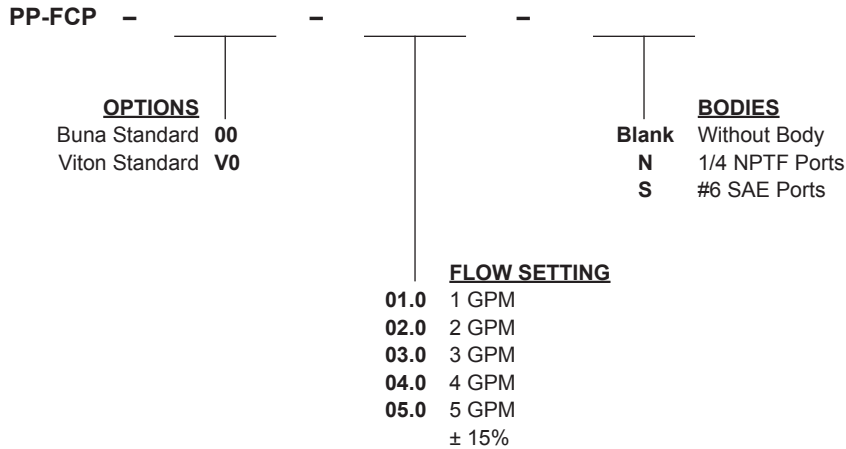
Maximum Flow	5 GPM (19 LPM)
Rated Operating Pressure	3500 PSI (241 bar)
Viscosity Range	36 to 3000 SSU (3 to 647 cSt)
Filtration	ISO 18/16/13
Media Operating Temp. Range	-40° to 250°F (-40° to 120°C)
Weight	.56 lbs (.25 kg)
Operating Fluid Media	General Purpose Hydraulic Fluid
Cartridge Torque Requirements	25 ft-lbs (34 Nm)
Cavity	POWER 3W
Cavity Form Tool (Finishing)	40500024
Seal Kit	21191106

DIMENSIONS



Body Weight: .56 lbs (.25 kg)

ORDERING INFORMATION



WARNING: the specifications/application data shown in our catalogs and data sheets are intended only as a general guide for the product described (herein). Any specific application should not be undertaken without independent study, evaluation, and testing for suitability.