

**SL-PLB SUPER SERIES, LOGIC VALVE**

**DESCRIPTION**

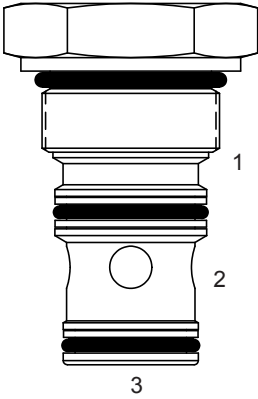
16 size, 1 5/16-12 thread, "Super" series, logic valve.

**OPERATION**

The SL-PLB with an orifice between ports (3) and (1) maintains a constant flow rate from (3) regardless of load pressure changes in the system upstream of (3), or in the bypass leg at (2) as long as pressure at (2) is less than (1). Used for basic blocking applications.

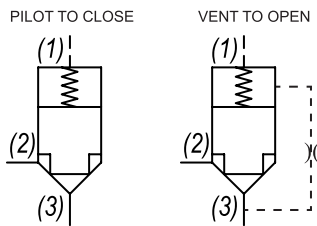
**FEATURES**

- Hardened parts for long life.
- Industry common cavity.



For bidirectional applications see SL-PLC.  
For metering see SLPCA or SL-PCB.

**HYDRAULIC SYMBOL**

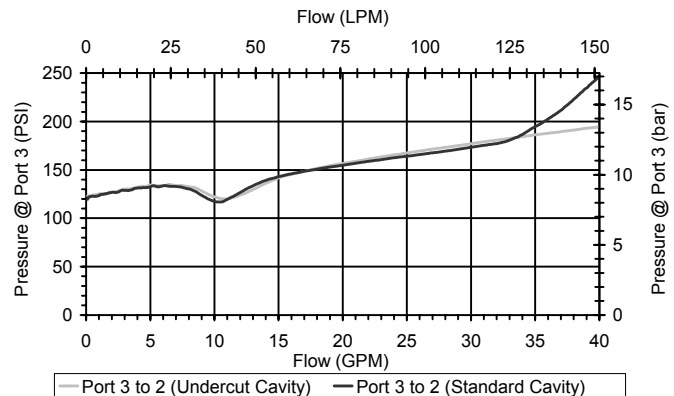
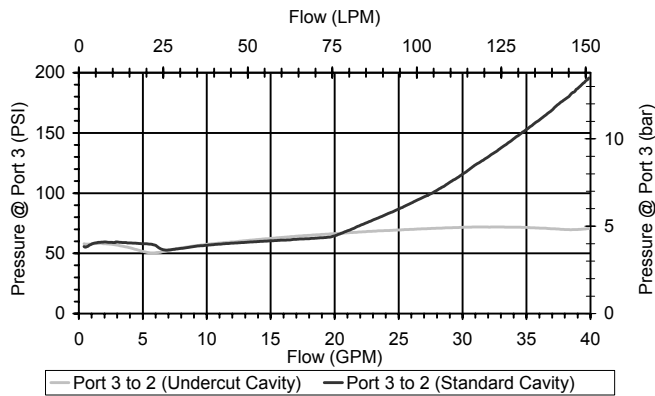


**PERFORMANCE**

Actual Test Data (Cartridge Only)

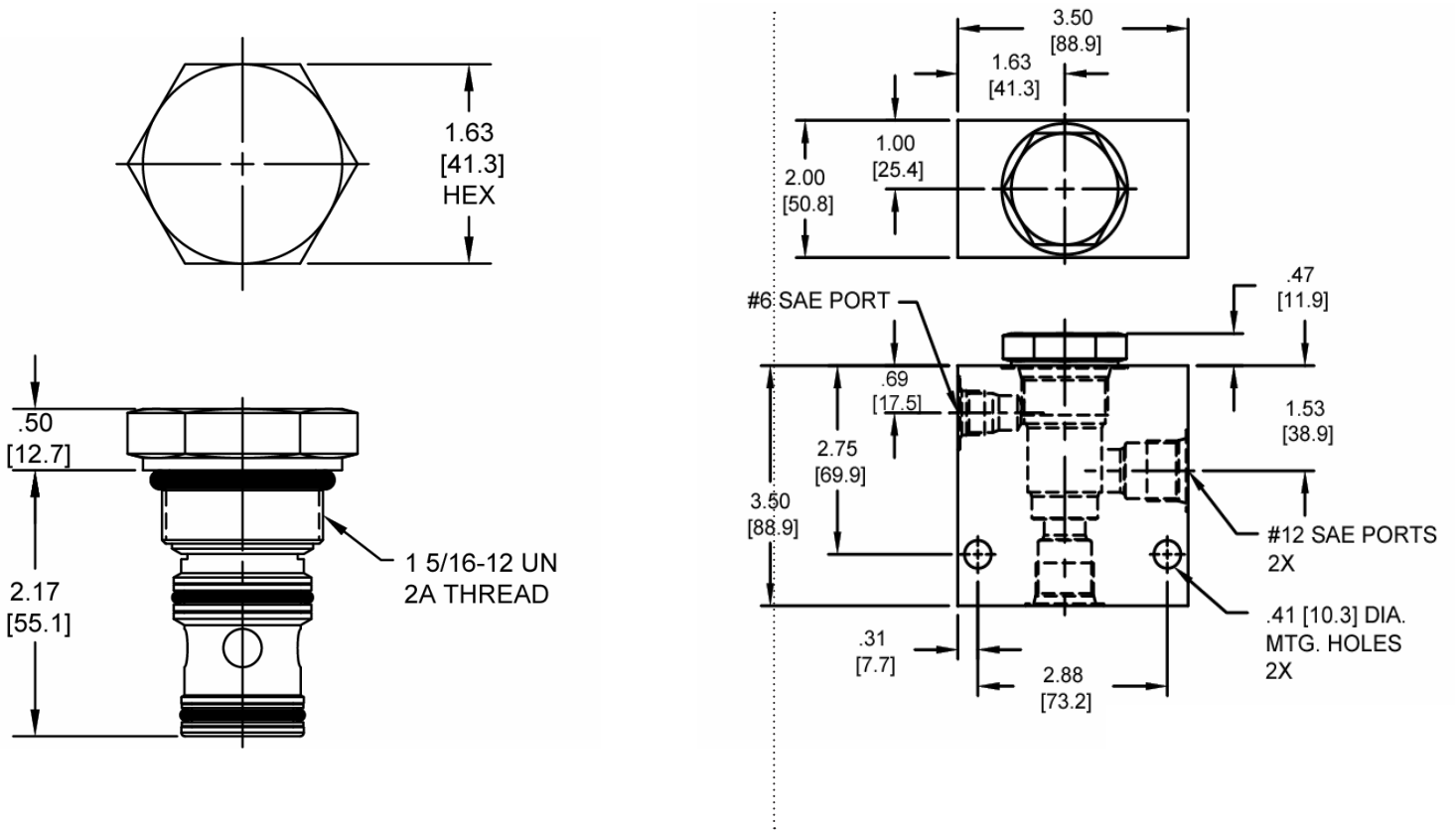
**VALVE SPECIFICATIONS**

Nominal Flow	40 GPM (151 LPM)
Rated Operating Pressure	3500 PSI (241 bar)
Viscosity Range	36 to 3000 SSU (3 to 647 cSt)
Filtration	ISO 18/16/13
Media Operating Temp. Range	-40° to 250°F (-40° to 120°C)
Weight	.69 lbs (.31 kg)
Operating Fluid Media	General Purpose Hydraulic Fluid
Cartridge Torque Requirements	90 ft-lbs (122 Nm)
Cavity	SUPER 3WS
Cavity Form Tool (Finishing)	40500021
Seal Kit	21191409
Seat Ratio	Area of the pilot is 1.5 times the area of the seat at Port (3)



**WARNING:** the specifications/application data shown in our catalogs and data sheets are intended only as a general guide for the product described (herein). Any specific application should not be undertaken without independent study, evaluation, and testing for suitability.

**DIMENSIONS**



Body Weight: 1.89 lbs (.86 kg)

**ORDERING INFORMATION**

<p><b>SL-PLB</b> -</p> <p><b>OPTIONS</b></p> <p>Buna, Pilot to Close <b>OP</b></p> <p>Viton, Pilot to Close <b>VP</b></p> <p>Buna, Vent to Open <b>OV</b></p> <p>Viton, Vent to Open <b>VV</b></p> <p>Buna, Pilot to Close w/seals <b>OB</b></p> <p>Viton, Pilot to Close w/seals <b>VB</b></p> <p>Buna, Vent to Open w/seals <b>OC</b></p> <p>Viton, Vent to Open w/seals <b>VC</b></p>	<p>-</p> <p>-</p> <p>-</p>	<p><b>BODIES</b></p> <p><b>Blank</b> Without Body</p> <p><b>S</b> #12 SAE Ports</p> <p><b>PRESSURE SETTING</b></p> <p><b>0020</b> 20 PSI</p> <p><b>0050</b> 50 PSI</p> <p><b>0100</b> 100 PSI</p>
--	----------------------------	---

W/51 / 12-2022

**WARNING:** the specifications/application data shown in our catalogs and data sheets are intended only as a general guide for the product described (herein). Any specific application should not be undertaken without independent study, evaluation, and testing for suitability.