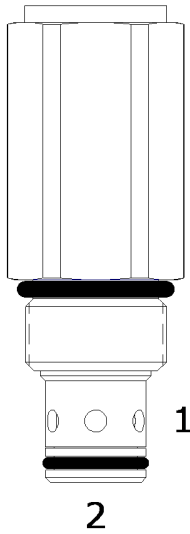


DE-RCA GUIDED BALL, DIRECT ACTING RELIEF VALVE

DESCRIPTION

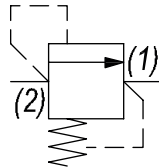
10 size, 7/8-14 thread, "Delta" series, direct acting relief valve.

OPERATION

The DE-RCA blocks flow from (2) to (1) until sufficient pressure is present at (2) to force the poppet to open and allow metered flow from (2) to (1). The cartridge offers smooth transition in response to load changes in common hydraulic circuits.

FEATURES

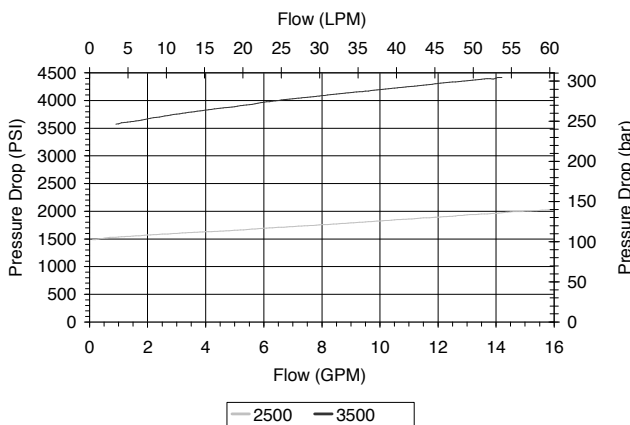
- Hardened parts for long life.
- Industry common cavity.

HYDRAULIC SYMBOL


Installation Space Saving Product. Cannot be field adjusted. Not recommended for crossover relief valve applications, use DE-RWA.

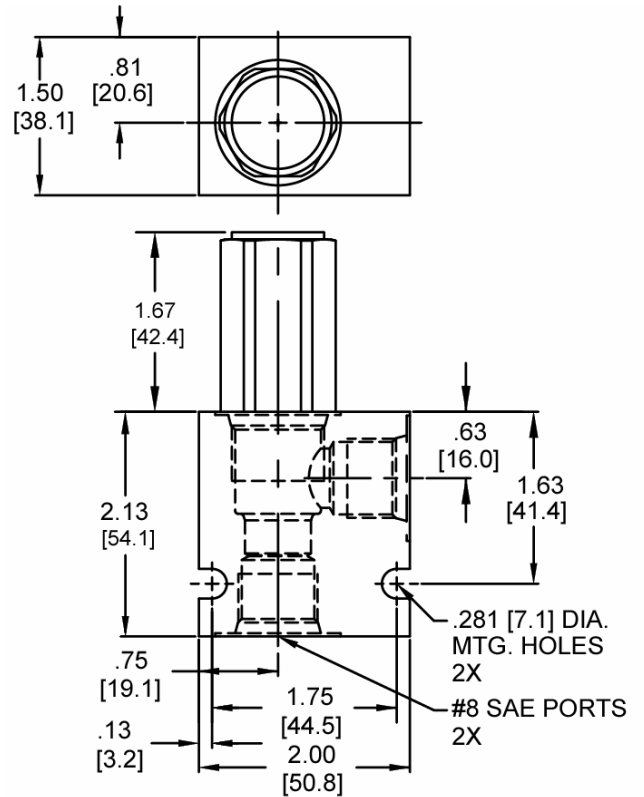
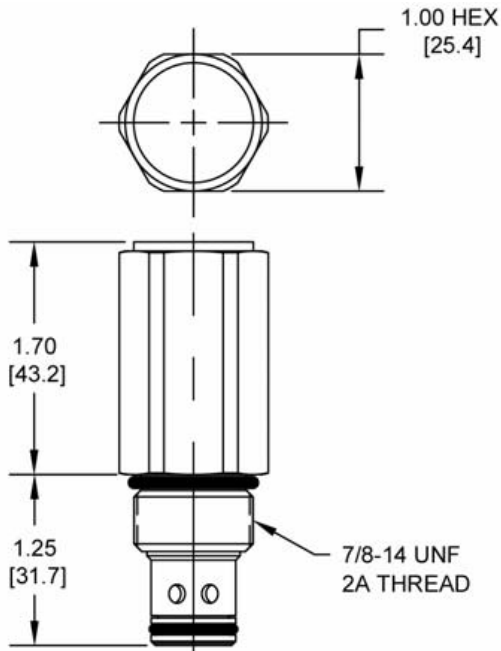
PERFORMANCE

Actual Test Data (Cartridge Only)


VALVE SPECIFICATIONS

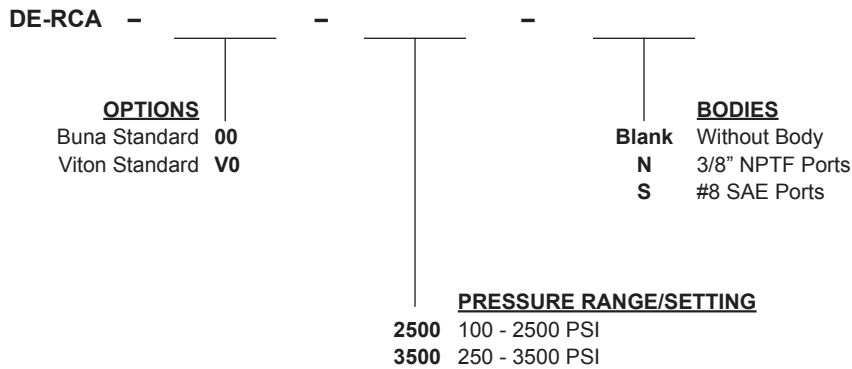
Nominal Flow	12 GPM (45 LPM)
Rated Operating Pressure	3500 PSI (241 bar)
Viscosity Range	36 to 3000 SSU (3 to 647 cSt)
Filtration	ISO 18/16/13
Media Operating Temp. Range	-40° to 250°F (-40° to 120°C)
Weight	.38 lbs (.17 kg)
Operating Fluid Media	General Purpose Hydraulic Fluid
Cartridge Torque Requirements	30 ft-lbs (40.6 Nm)
Cavity	DELTA 2W
Cavity Form Tool (Finishing)	40500000
Seal Kit	21191200

DIMENSIONS



Body Weight: .47 lbs (.21 kg)

ORDERING INFORMATION



WARNING: the specifications/application data shown in our catalogs and data sheets are intended only as a general guide for the product described (herein). Any specific application should not be undertaken without independent study, evaluation, and testing for suitability.