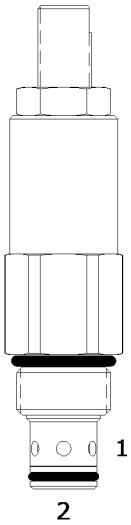


DE-RVA DIRECT ACTING RELIEF VALVE



DESCRIPTION

10 size, 7/8-14 thread, "Delta" series, direct acting relief valve.

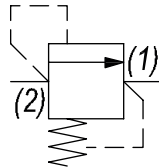
OPERATION

The DE-RVA blocks flow from (2) to (1) until sufficient pressure is present at (2) to force the poppet to open and allow metered flow from (2) to (1). The cartridge offers smooth transition in response to load changes in common hydraulic circuits.

FEATURES

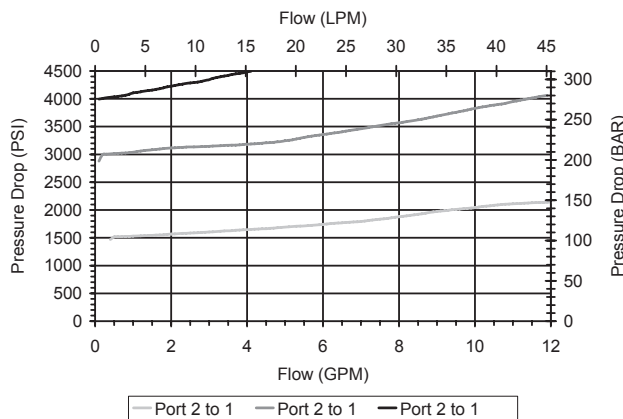
- Hardened parts for long life.
- Industry common cavity.

HYDRAULIC SYMBOL



PERFORMANCE

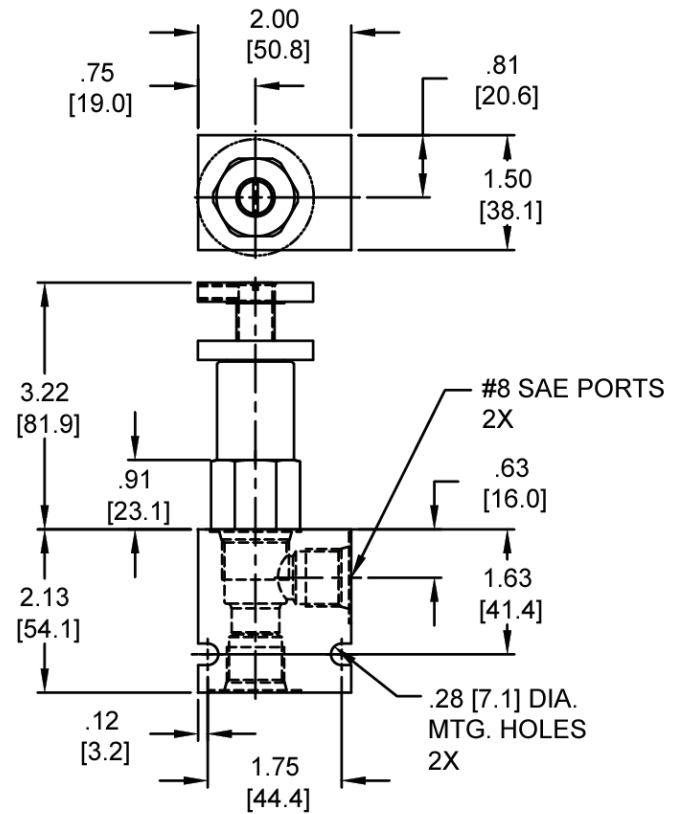
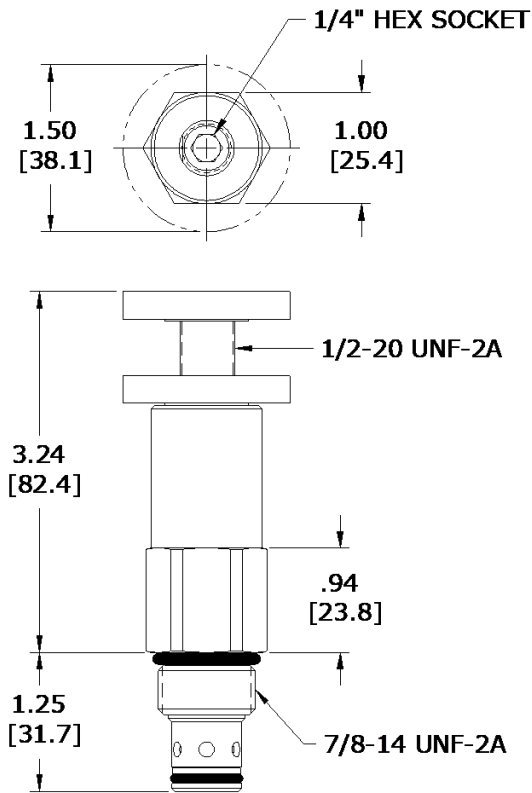
Actual Test Data (Cartridge Only)



VALVE SPECIFICATIONS

Nominal Flow	4 GPM (15.6 LPM) 4000 PSI 8 GPM (30 LPM) 3000 PSI
Rated Operating Pressure	4000 PSI (276 bar)
Viscosity Range	36 to 3000 SSU (3 to 647 cSt)
Filtration	ISO 18/16/13
Media Operating Temp. Range	-40° to 250°F (-40° to 120°C)
Weight	.56 lbs (.25 kg)
Operating Fluid Media	General Purpose Hydraulic Fluid
Cartridge Torque Requirements	30 ft-lbs (40.6 Nm)
Cavity	DELTA 2W
Cavity Form Tool (Finishing)	40500000
Seal Kit	21191200

DIMENSIONS



Body Weight: .47 lbs (.21 kg)

ORDERING INFORMATION

DE-RVA	-	-	-	-
OPTIONS				BODIES
Buna Standard				Blank
Viton Standard	00			N
Buna, Knob	0K			S
Viton, Knob	VK			Without Body
				3/8" NPTF Ports
				#8 SAE Ports
			PRESSURE RANGE/SETTING	
			1500	200 - 1500 PSI
			3000	1500 - 3000 PSI
			4000	2500 - 4000 PSI

WARNING: the specifications/application data shown in our catalogs and data sheets are intended only as a general guide for the product described (herein). Any specific application should not be undertaken without independent study, evaluation, and testing for suitability.