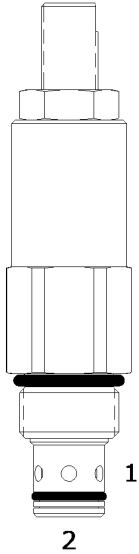


DE-RVD DIFFERENTIAL AREA RELIEF VALVE

DESCRIPTION

10 size, 7/8-14 thread, "Delta" series, differential area relief valve.

OPERATION

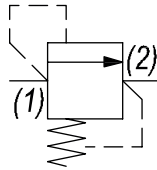
The DE-RVD blocks flow from (1) to (2) until sufficient pressure is present at (1) to force the poppet to open and allow metered flow from (1) to (2). The cartridge offers smooth transition in response to load changes in common hydraulic circuits.

FEATURES

- Hardened parts for long life.
- Industry common cavity.



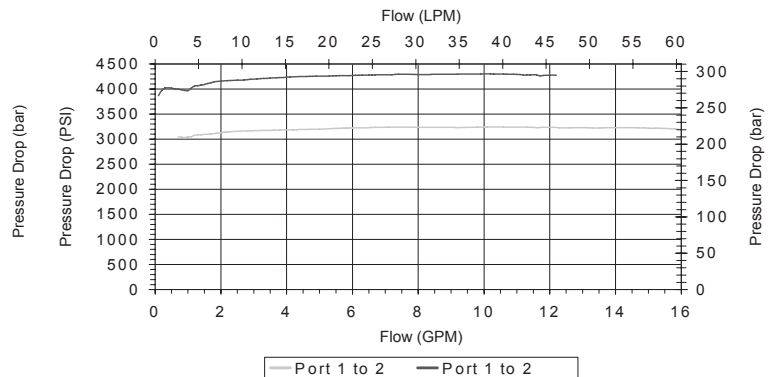
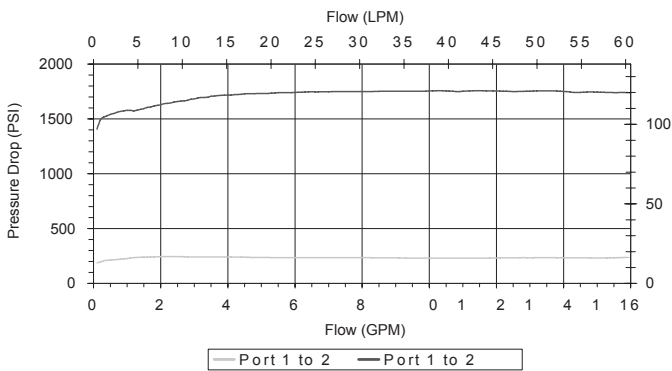
*Low PSI/turn adjustment.
Good pressure vs. flow characteristic.*

HYDRAULIC SYMBOL

PERFORMANCE

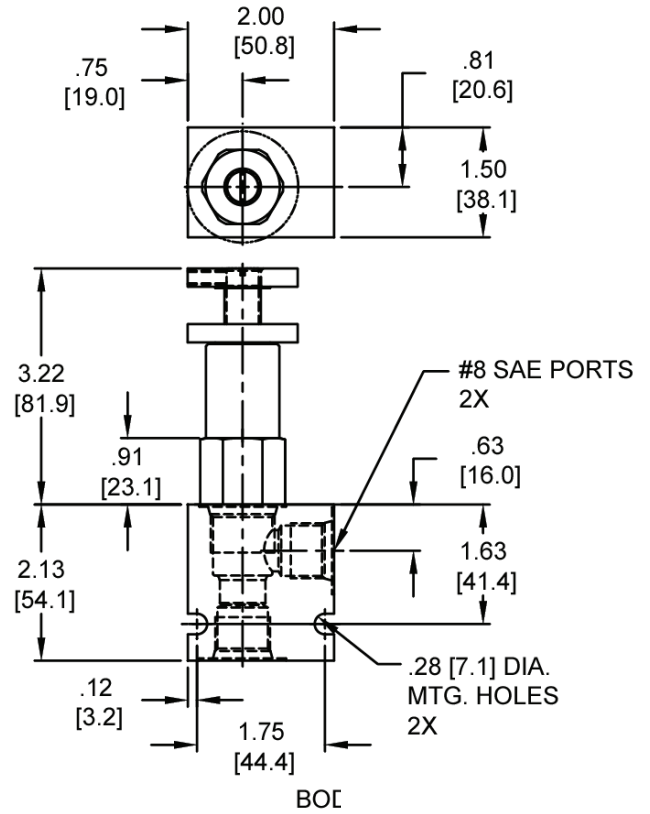
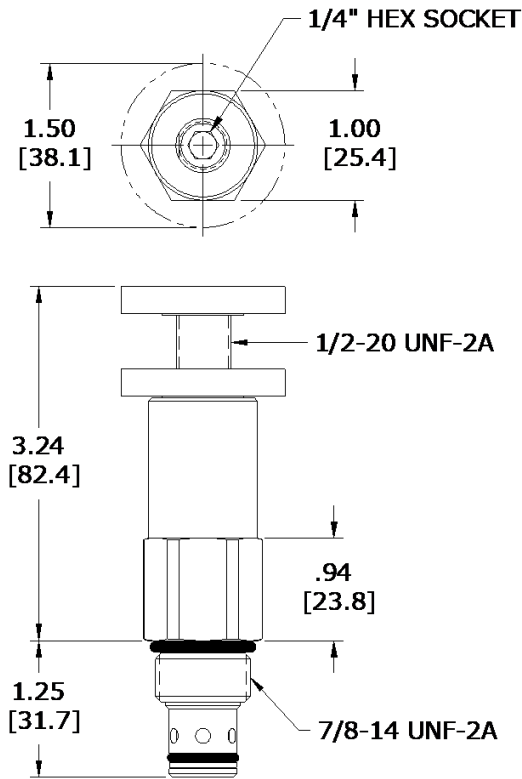
Actual Test Data (Cartridge Only)

VALVE SPECIFICATIONS

Nominal Flow	15 GPM (57 LPM)
Rated Operating Pressure	4000 PSI (276 bar)
Viscosity Range	36 to 3000 SSU (3 to 647 cSt)
Filtration	ISO 18/16/13
Media Operating Temp. Range	-40° to 250°F (-40° to 120°C)
Weight	.57 lbs (.26 kg)
Operating Fluid Media	General Purpose Hydraulic Fluid
Cartridge Torque Requirements	30 ft-lbs (40.6 Nm)
Cavity	DELTA 2W
Cavity Form Tool (Finishing)	40500000
Seal Kit	21191200



DIMENSIONS



Body Weight: .47 lbs (.21 kg)

ORDERING INFORMATION

<p>DE-RVD - - - -</p> <p>OPTIONS</p> <p>Buna Standard 00</p> <p>Viton Standard V0</p> <p>Buna, Screen A0</p> <p>Viton, Screen W0</p> <p>Buna, Knob OK</p> <p>Viton, Knob VK</p> <p>Buna, Knob, Screen AK</p> <p>Viton, Knob, Screen WK</p>	<p>PRESSURE RANGE/SETTING</p> <p>0200 50 - 200 PSI</p> <p>1500 200 - 1500 PSI</p> <p>3000 1500 - 3000 PSI</p> <p>4000 2500 - 4000 PSI</p>	<p>BODIES</p> <p>Blank Without Body</p> <p>N 3/8" NPTF Ports</p> <p>S #8 SAE Ports</p>
--	--	---

Note: use screen only if flow direction is from (1) to (2).

WARNING: the specifications/application data shown in our catalogs and data sheets are intended only as a general guide for the product described (herein). Any specific application should not be undertaken without independent study, evaluation, and testing for suitability.